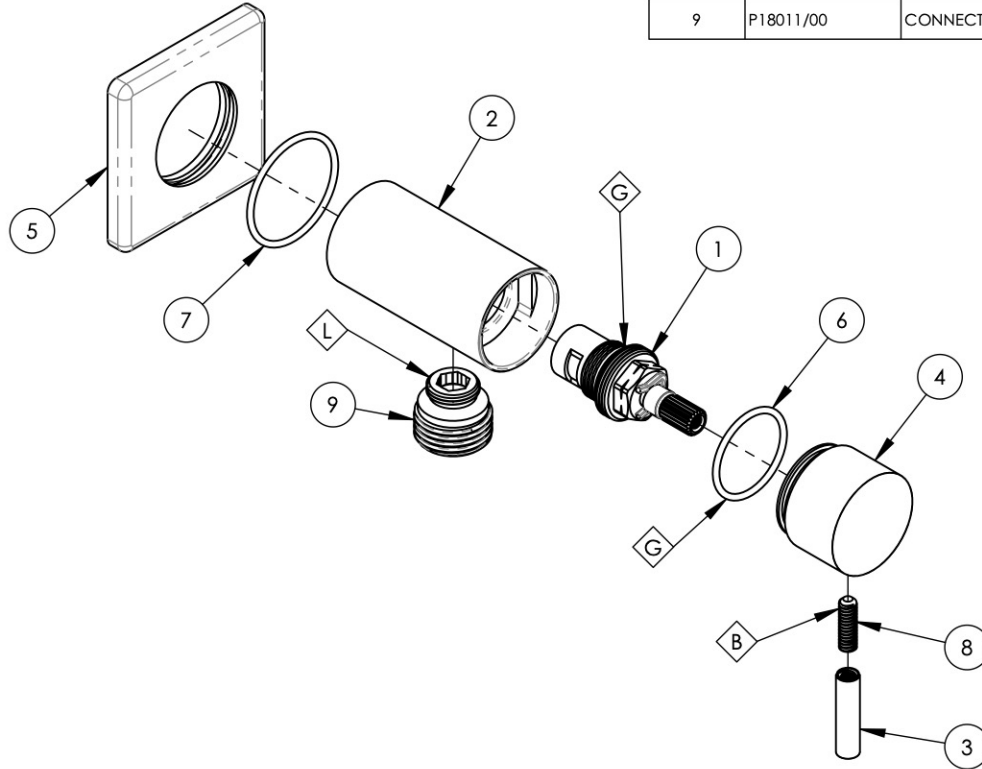


- NOTE(S):
 1. PART NUMBER, "/00" DENOTES PART SHALL HAVE FINISH.
 2. APPLY NSF COMPLIANT GREASE TO ANY O-RING, SEALING JOINTS, AND/OR PIVOTAL POINTS.
 3. APPLY NSF COMPLIANT LOCTITE TO THREADED AREA.
 4. APPLY NSF COMPLIANT REMOVABLE (BLUE) LOCTITE TO THREADED AREA.
 5. SILVER SOLDER JOINTS SHALL BE FULLY WETTED VIA CAPILLARY ACTION AND COMPLETELY NON-POROUS.



ITEM NO.	PART NUMBER	DESCRIPTION	QTY.
1	10739	CARTRIDGE, VALVE 3/8"G RIGHT CLOSING	1
2	10859/00	BODY, HANDSHOWER HOLDER W/ INTEGRATED VOL. CTRL.	1
3	10861/00	HANDLE, LEVER 10-24 UNC	1
4	10865/00	HUB, HANDLE HANDSHOWER OUTLET	1
5	11700/00	ESCUTCHEON, SHOWER FLANGE. SQUARE	1
6	90021	O-RING, 15/16"ID X 1-1/16"OD X 1/16"THK, AS-568-021	1
7	90025	O-RING, 1-3/16"ID X 1/16"THK, AS-568-025	1
8	92152	SET SCREW, CUP PT. 10-24 UNC X 5/8"L	1
9	P18011/00	CONNECTOR OUTLET 1/2", HOUSING OV10	1



ZONE	REV.	DESCRIPTION	DATE	APPROVED
REVISIONS				

1261 LOGAN AVENUE
 COSTA MESA, CALIFORNIA 92626
 PHONE: 714.361.4800
 FAX: 714.617.3120

PHYL RICH[®]
 Defining Luxury Since 1959

PROPRIETARY AND CONFIDENTIAL
 THE INFORMATION CONTAINED IN THIS DRAWING IS THE SOLE PROPERTY OF PHYL RICH. ANY REPRODUCTION IN PART OR AS A WHOLE WITHOUT THE WRITTEN PERMISSION OF PHYL RICH IS PROHIBITED.
DO NOT SCALE DRAWING

ASSY, HANDSHOWER OUTLET SUPPLY, SQUARE FLANGE

SIZE A	ASM/PRT NO. SQ6010/00	REV -
SCALE: 1:2	WEIGHT: lbs.	SHEET 1 OF 2