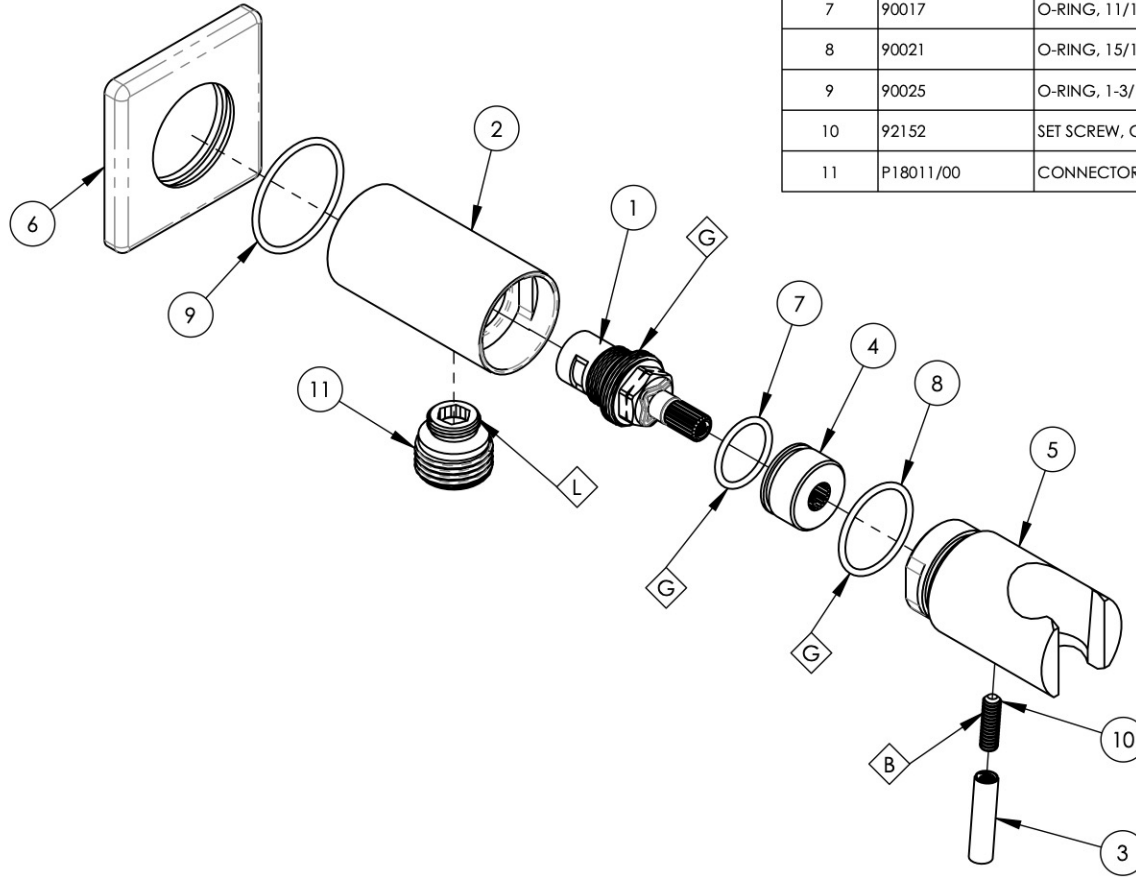


- NOTE(S):  
 1. PART NUMBER, "/00" DENOTES PART SHALL HAVE FINISH.  
 2. APPLY NSF COMPLIANT GREASE TO ANY O-RING, SEALING JOINTS, AND/OR PIVOTAL POINTS.  
 3. APPLY NSF COMPLIANT LOCTITE TO THREADED AREA.  
 4. APPLY NSF COMPLIANT REMOVABLE (BLUE) LOCTITE TO THREADED AREA.  
 5. SILVER SOLDER JOINTS SHALL BE FULLY WETTED VIA CAPILLARY ACTION AND COMPLETELY NON-POROUS.



ITEM NO.	PART NUMBER	DESCRIPTION	QTY.
1	10739	CARTRIDGE, VALVE 3/8"G RIGHT CLOSING	1
2	10859/00	BODY, HANDSHOWER HOLDER W/ INTEGRATED VOL. CTRL.	1
3	10861/00	HANDLE, LEVER 10-24 UNC	1
4	10862/00	HIDDEN HUB, HANDSHOWER VOL. CTRL.	1
5	10863/00	SHOWER HOOK, INTEGRATED HANDLE	1
6	11700/00	ESCUTCHEON, SHOWER FLANGE. SQUARE	1
7	90017	O-RING, 11/16"ID X 13/16"OD X 1/16"THK, AS-568-017	1
8	90021	O-RING, 15/16"ID X 1-1/16"OD X 1/16"THK, AS-568-021	1
9	90025	O-RING, 1-3/16"ID X 1/16"THK, AS-568-025	1
10	92152	SET SCREW, CUP PT. 10-24 UNC X 5/8"L	1
11	P18011/00	CONNECTOR OUTLET 1/2", HOUSING OV10	1



ZONE	REV.	DESCRIPTION	DATE	APPROVED
REVISIONS				

1261 LOGAN AVENUE  
 COSTA MESA, CALIFORNIA 92626  
 PHONE: 714.361.4800  
 FAX: 714.617.3120

**PHYLIRICH**<sup>®</sup>  
 Defining Luxury Since 1959

**PROPRIETARY AND CONFIDENTIAL**  
 THE INFORMATION CONTAINED IN THIS DRAWING IS THE SOLE PROPERTY OF PHYLIRICH. ANY REPRODUCTION IN PART OR AS A WHOLE WITHOUT THE WRITTEN PERMISSION OF PHYLIRICH IS PROHIBITED.

-	-	INTERPRET GEOMETRIC DIMENSIONING & TOLERANCING IN ACCORDANCE WITH ASME Y14.5-2009 & ASME Y14.41-2003 STANDARDS, UNLESS OTHERWISE SPECIFIED. DIMENSIONS ARE IN INCHES. TOLERANCES ARE:		
NEXT ASSY	USED ON	FRACTIONS ±1/16"	DECIMALS X.X: ±.1 X.XX: ±.01 X.XXX: ±.005	ANGULAR ±2°
APPLICATION		MATERIAL	NAME	DATE
FINISH		DRAWN	MAF	3/17/2022
<b>DO NOT SCALE DRAWING</b>		CHECKED		

**ASSY, HANDSHOWER OUTLET SUPPLY AND HOLDER, SQUARE FLANGE**

SIZE	ASM/PRT NO.	REV
<b>A</b>	SQ6009/00	-
SCALE: 1:2	WEIGHT: lbs.	SHEET 1 OF 2