

5

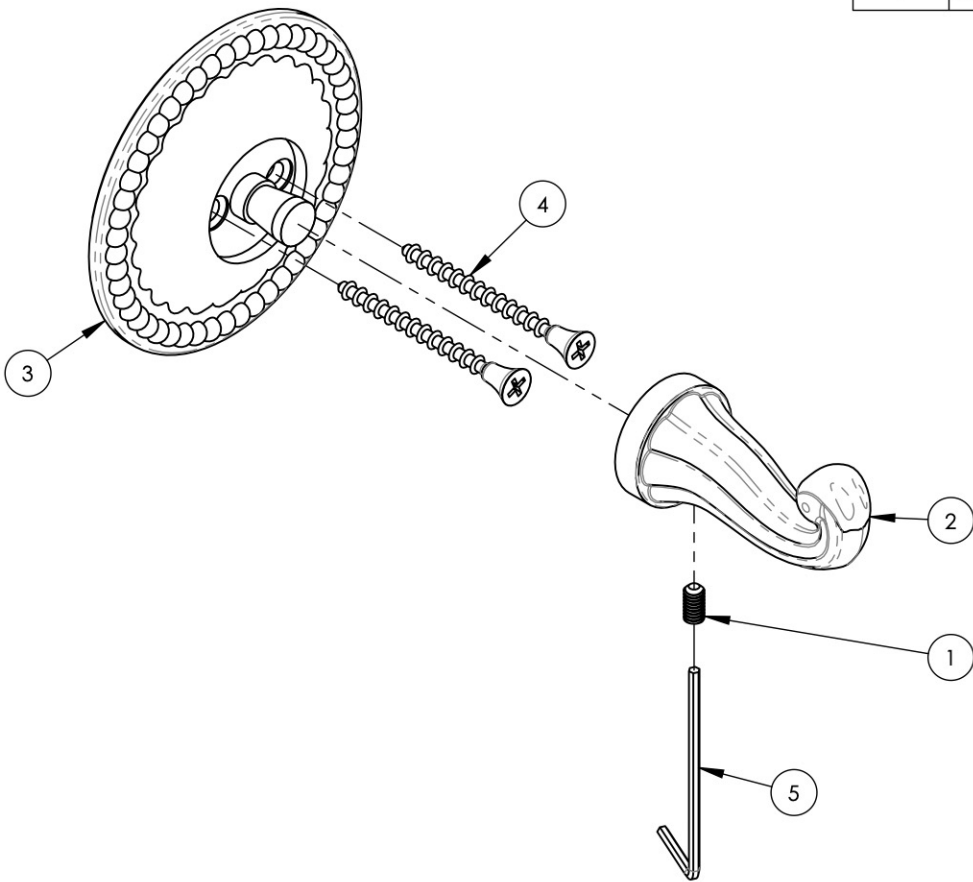
4

3

2

1

ITEM NO.	PART NUMBER	DESCRIPTION	QTY.
1	92010	SET SCREW, CUP POINT 8-32UNC 5/16" LENGTH SS	1
2	P23046/00	KPG10 ROBE HOOK	1
3	P23055	KPG BACK PLATE	1
4	P36005	#6 DRY WALL SCREW	2
5	P39001	HEX KEY 5/64, FOR 8-32 SET SCREW	1



ALL	REV.	DESCRIPTION	DATE	APPROVED
A		UPDATE TEMPLATE	7/14/2020	AMM

1261 LOGAN AVENUE  
COSTA MESA, CALIFORNIA 92626  
PHONE: 714.361.4800  
FAX: 714.617.3120

**PHYLIRICH**<sup>®</sup>  
Defining Luxury Since 1959

**PROPRIETARY AND CONFIDENTIAL**  
THE INFORMATION CONTAINED IN THIS DRAWING IS THE SOLE PROPERTY OF PHYLIRICH. ANY REPRODUCTION IN PART OR AS A WHOLE WITHOUT THE WRITTEN PERMISSION OF PHYLIRICH IS PROHIBITED.

-	-	INTERPRET GEOMETRIC DIMENSIONING & TOLERANCING IN ACCORDANCE WITH ASME Y14.5-2009 & ASME Y14.41-2003 STANDARDS, UNLESS OTHERWISE SPECIFIED. DIMENSIONS ARE IN INCHES. TOLERANCES ARE:		
NEXT ASSY	USED ON	<b>FRACTIONS</b> ±1/16"	<b>DECIMALS</b> X.X: ±.1 X.XX: ±.01 X.XXX: ±.005	<b>ANGULAR</b> ±2°
APPLICATION		MATERIAL	NAME	DATE
FINISH		DRAWN	LLO	8/1/2013
<b>DO NOT SCALE DRAWING</b>		CHECKED	GRE	

**ROBE HOOK, GEORGIAN & BARCELONA**  
(360-76/00)

SIZE	ASM/PRT NO.	REV
<b>A</b>	KPG10/00	<b>A</b>
SCALE: 1:1.5	WEIGHT: lbs.	SHEET 1 OF 2

5

4

3

2

1