

5

4

3

2

1

E

E

D

D

C

C

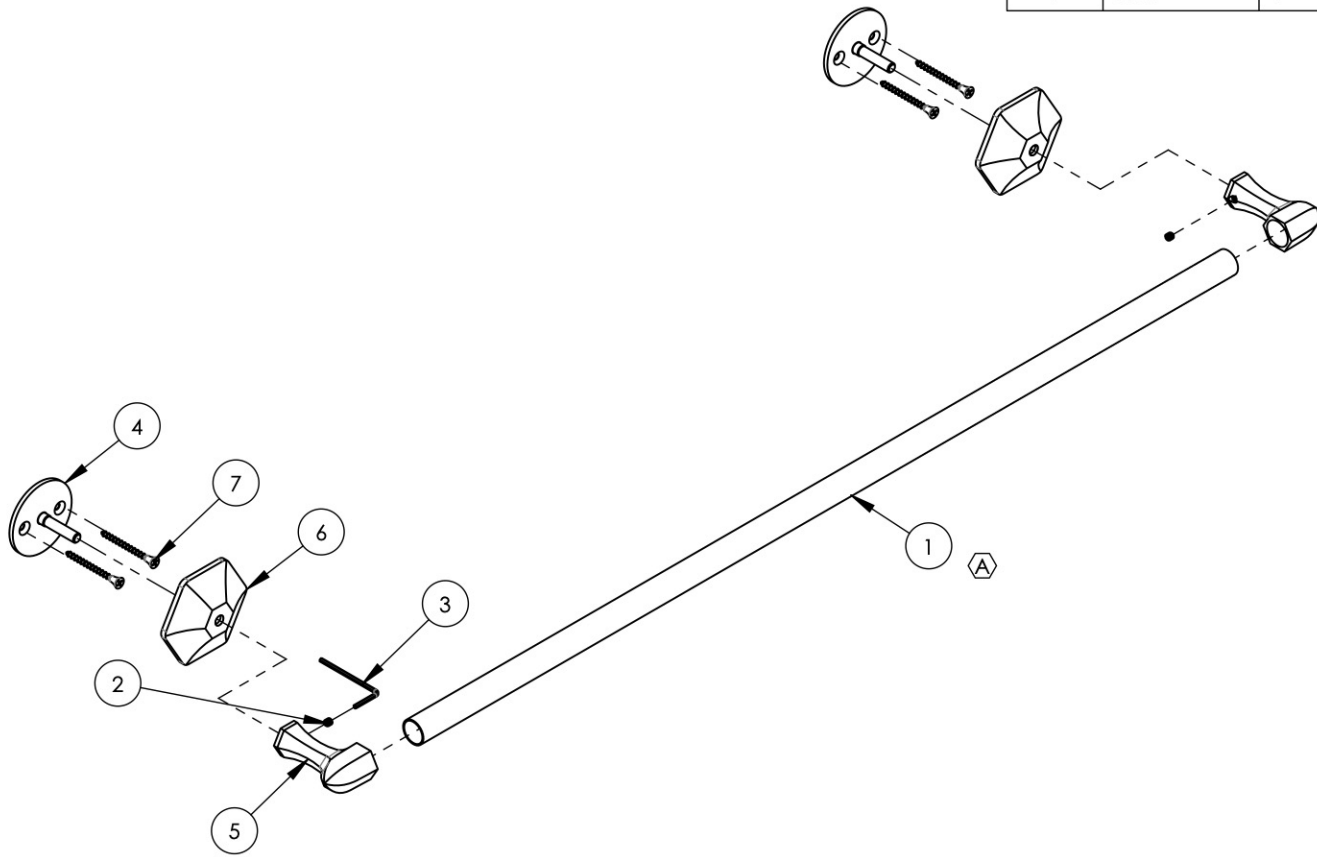
B

B

A

A

ITEM NO.	PART NUMBER	DESCRIPTION	QTY.
1	11064/00	BAR TUBE, FOR 30" TOWEL BAR	1
2	92024	SET SCREW, CUP POINT 10-24UNC 3/16" LENGTH	2
3	92184	HEX L-KEY 3/32" HEX x 2 1/8"L	1
4	P23002	GKB MOUNTING STUD	2
5	P23056/00	KL50 POST	2
6	P23059/00	KL BACK PLATE	2
7	P36005	#6 DRY WALL SCREW	4



ZONE	REV.	DESCRIPTION	DATE	APPROVED
B3	A	UPDATE TEMPLATE & TOWEL BAR TUBE	6/17/2020	AMM
REVISIONS				

1261 LOGAN AVENUE  
COSTA MESA, CALIFORNIA 92626  
PHONE: 714.361.4800  
FAX: 714.617.3120

**PHYLIRICH®**  
Defining Luxury Since 1959

**PROPRIETARY AND CONFIDENTIAL**  
THE INFORMATION CONTAINED IN THIS DRAWING IS THE SOLE PROPERTY OF PHYLIRICH. ANY REPRODUCTION IN PART OR AS A WHOLE WITHOUT THE WRITTEN PERMISSION OF PHYLIRICH IS PROHIBITED.

-	-	INTERPRET GEOMETRIC DIMENSIONING & TOLERANCING IN ACCORDANCE WITH ASME Y14.5-2009 & ASME Y14.41-2003 STANDARDS. UNLESS OTHERWISE SPECIFIED, DIMENSIONS ARE IN INCHES. TOLERANCES ARE:		
NEXT ASSY	USED ON	FRACTIONS ±1/16"	DECIMALS X.X: ±.1 X.XX: ±.01 X.XXX: ±.005	ANGULAR ±2°
APPLICATION		MATERIAL	NAME	DATE
FINISH		DRAWN	LLO	10/17/2013
<b>DO NOT SCALE DRAWING</b>		CHECKED	GRE	

30" TOWEL BAR, LE VERRE & LA CROSSE

SIZE <b>A</b>	ASM/PRT NO. KL75/00	REV A
------------------	------------------------	----------

SCALE: 1:5      WEIGHT: lbs.      SHEET 1 OF 2

5

4

3

2

1