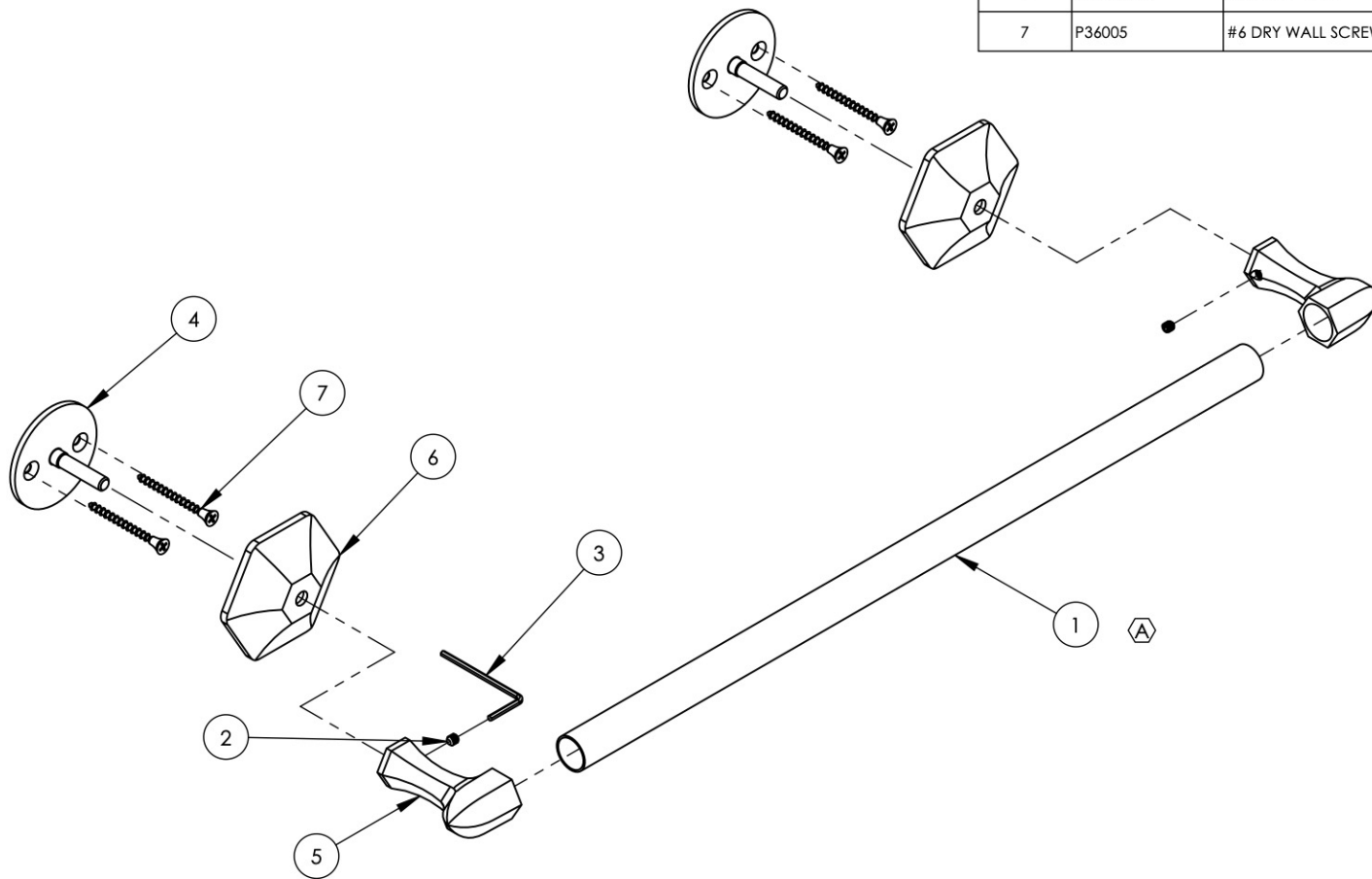


ITEM NO.	PART NUMBER	DESCRIPTION	QTY.
1	11063/00	BAR TUBE, FOR 18" TOWEL BAR	1
2	92024	SET SCREW, CUP POINT 10-24UNC 3/16" LENGTH	2
3	92184	HEX L-KEY 3/32" HEX x 2 1/8"L	1
4	P23002	GKB MOUNTING STUD	2
5	P23056/00	KL50 POST	2
6	P23059/00	KL BACK PLATE	2
7	P36005	#6 DRY WALL SCREW	4



B3	A	UPDATE TEMPLATE & TOWEL BAR TUBE	6/17/2020	AMM
ZONE	REV.	DESCRIPTION	DATE	APPROVED
REVISIONS				

1261 LOGAN AVENUE
COSTA MESA, CALIFORNIA 92626
PHONE: 714.361.4800
FAX: 714.617.3120

PHYLIRICH®
Defining Luxury Since 1959

PROPRIETARY AND CONFIDENTIAL
THE INFORMATION CONTAINED IN THIS DRAWING IS THE SOLE PROPERTY OF PHYLIRICH. ANY REPRODUCTION IN PART OR AS A WHOLE WITHOUT THE WRITTEN PERMISSION OF PHYLIRICH IS PROHIBITED.

-	-	INTERPRET GEOMETRIC DIMENSIONING & TOLERANCING IN ACCORDANCE WITH ASME Y14.5-2009 & ASME Y14.41-2003 STANDARDS. UNLESS OTHERWISE SPECIFIED, DIMENSIONS ARE IN INCHES. TOLERANCES ARE:		
NEXT ASSY	USED ON	FRACTIONS ±1/16"	DECIMALS X.X: ±.1 X.XX: ±.01 X.XXX: ±.005	ANGULAR ±2°
APPLICATION		NAME	DATE	
MATERIAL		DRAWN	LLO	10/17/2013
FINISH		CHECKED	GRE	
DO NOT SCALE DRAWING				

18" TOWEL BAR, LE VERRE & LA CROSSE

SIZE **A** ASM/PRT NO. KL65/00 REV A

SCALE: 1:3.5 WEIGHT: lbs. SHEET 1 OF 2