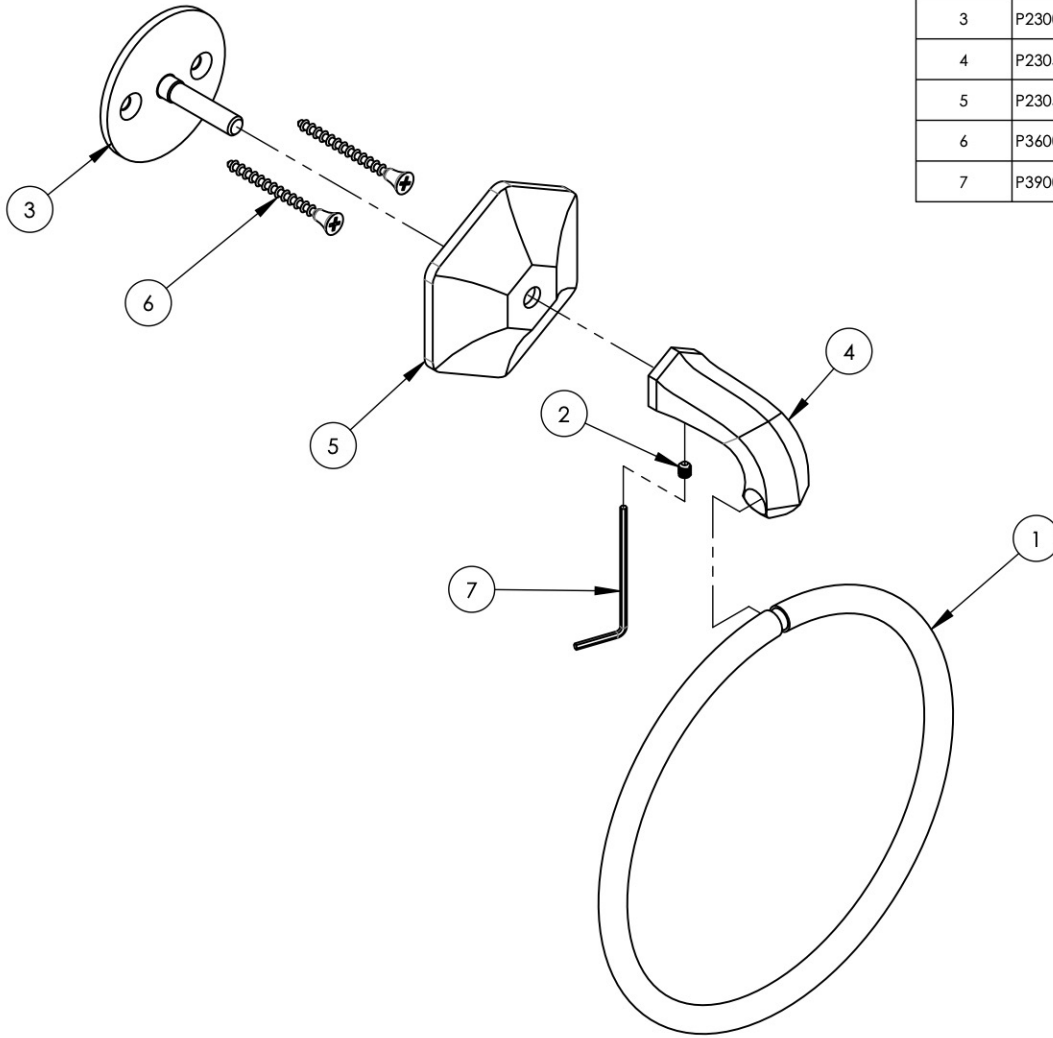


NOTE(S):
 1. PART NUMBER, "/00" DENOTES PART SHALL HAVE FINISH.



ITEM NO.	PART NUMBER	DESCRIPTION	QTY.
1	11056/00	6" TOWEL RING	1
2	92008	SET SCREW, CUP POINT 8-32, 3/16" L.	1
3	P23002	GKB MOUNTING STUD	1
4	P23058	KL40 POST	1
5	P23059/00	KL BACK PLATE	1
6	P36005/00	#6 DRY WALL SCREW	2
7	P39001	HEX KEY 5/64, FOR 8-32 SET SCREW	1

ZONE	REV.	DESCRIPTION	DATE	APPROVED
REVISIONS				

1261 LOGAN AVENUE
 COSTA MESA, CALIFORNIA 92626
 PHONE: 714.361.4800
 FAX: 714.617.3120

PHYLIRICH[®]
 Defining Luxury Since 1959

PROPRIETARY AND CONFIDENTIAL
 THE INFORMATION CONTAINED IN THIS DRAWING IS THE SOLE PROPERTY OF PHYLIRICH. ANY REPRODUCTION IN PART OR AS A WHOLE WITHOUT THE WRITTEN PERMISSION OF PHYLIRICH IS PROHIBITED.

-	-	INTERPRET GEOMETRIC DIMENSIONING & TOLERANCING IN ACCORDANCE WITH ASME Y14.5-2009 & ASME Y14.41-2003 STANDARDS, UNLESS OTHERWISE SPECIFIED. DIMENSIONS ARE IN INCHES. TOLERANCES ARE:		
NEXT ASSY	USED ON	FRACTIONS ±1/16"	DECIMALS X.X: ±.1 X.XX: ±.01 X.XXX: ±.005	ANGULAR ±2°
APPLICATION		MATERIAL	NAME	DATE
FINISH		DRAWN	AMM	6/16/2020
DO NOT SCALE DRAWING		CHECKED	AMM	6/16/2020

TOWEL RING, LE VERRE & LA CROSSE

SIZE	ASM/PRT NO.	REV
A	KL40/00	

SCALE: 1:2.5 WEIGHT: lbs. SHEET 1 OF 2