

NOTE(S):
 1. PART NUMBER, "/00" DENOTES PART SHALL HAVE FINISH.

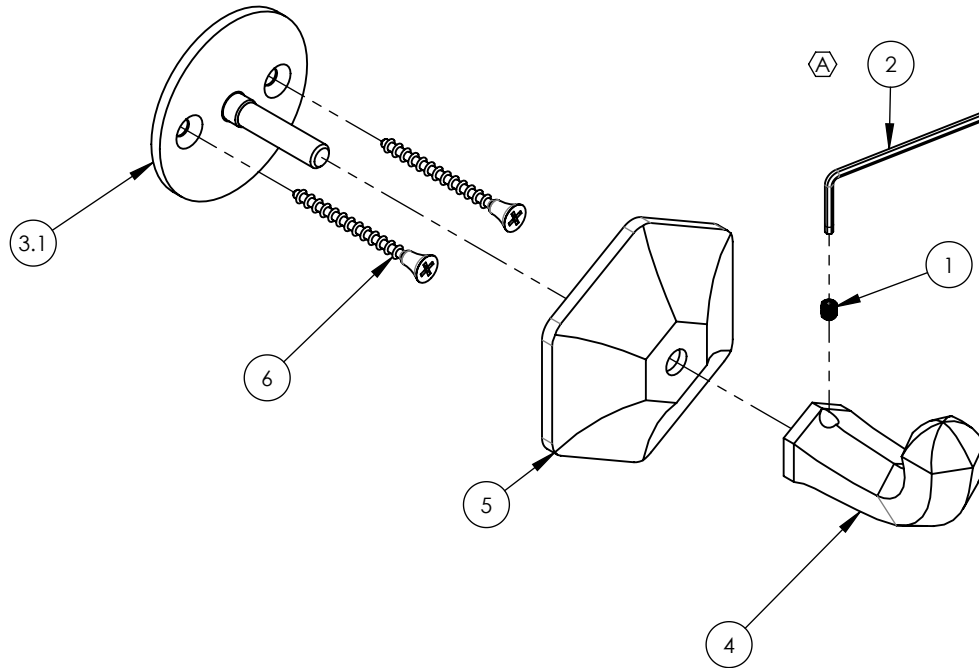
2. APPLY NSF COMPLIANT GREASE TO ANY O-RING, SEALING JOINTS, AND/OR PIVOTAL POINTS. G

3. APPLY NSF COMPLIANT LOCTITE TO THREADED AREA. L

4. APPLY NSF COMPLIANT REMOVABLE (BLUE) LOCTITE TO THREADED AREA. B

5. SILVER SOLDER JOINTS SHALL BE FULLY WETTED VIA CAPILLARY ACTION AND COMPLETELY NON-POROUS. S

ITEM NO.	PART NUMBER	DESCRIPTION	QTY.
1	92008	SET SCREW, CUP POINT 8-32, 3/16" L.	1
2	92021	HEX KEY 5/64, FOR 8-32 SET SCREW	1
3	P23002	GKB MOUNTING STUD	1
3.1	P23002_1	MOUNTING PLATE	1
3.2	P23002_2	MOUNTING NUT STEM	1
4	P23057/00	KL10 POST	1
5	P23059/00	KL BACK PLATE	1
6	P36005	#6 DRY WALL SCREW	2



ZONE	REV.	DESCRIPTION	DATE	APPROVED
D3	A	UPDATE HEX KEY PART #	4/29/2021	MM
REVISIONS				

1261 LOGAN AVENUE
 COSTA MESA, CALIFORNIA 92626
 PHONE: 714.361.4800
 FAX: 714.617.3120

PHYLIRICH[®]
 Defining Luxury Since 1959

PROPRIETARY AND CONFIDENTIAL
 THE INFORMATION CONTAINED IN THIS DRAWING IS THE SOLE PROPERTY OF PHYLIRICH. ANY REPRODUCTION IN PART OR AS A WHOLE WITHOUT THE WRITTEN PERMISSION OF PHYLIRICH IS PROHIBITED.
DO NOT SCALE DRAWING

ROBE HOOK, LE VERRE & LA CROSSE

SIZE	ASM/PRT NO.	REV
A	KL10/00	A
SCALE: 1:2	WEIGHT: lbs.	SHEET 1 OF 2

5

4

3

2

1

E

E

D

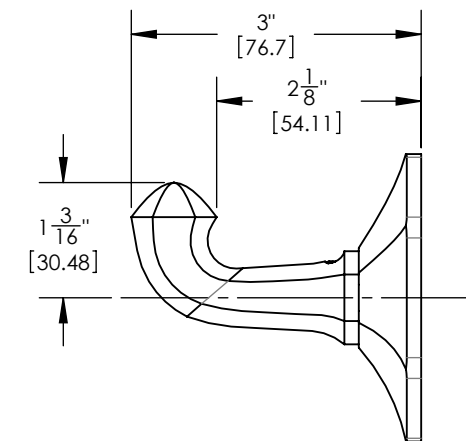
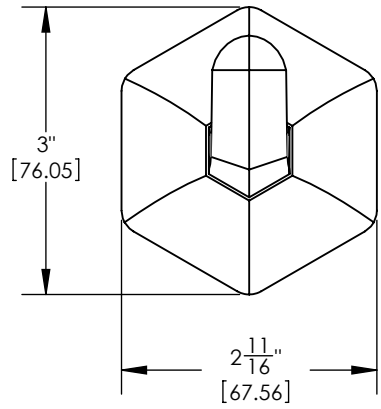
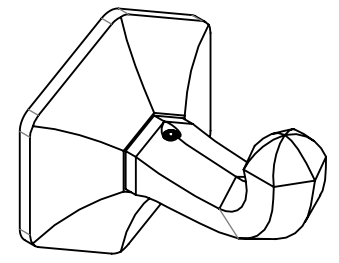
D

C

C

B

B



1261 LOGAN AVENUE
COSTA MESA, CALIFORNIA 92626
PHONE: 714.361.4800
FAX: 714.617.3120

PHYLIRICH[®]
Defining Luxury Since 1959

PROPRIETARY AND CONFIDENTIAL
THE INFORMATION CONTAINED IN THIS DRAWING IS THE SOLE PROPERTY OF PHYLIRICH. ANY REPRODUCTION IN PART OR AS A WHOLE WITHOUT THE WRITTEN PERMISSION OF PHYLIRICH IS PROHIBITED.
DO NOT SCALE DRAWING

ROBE HOOK, LE VERRE & LA CROSSE

SIZE A	ASM/PRT NO. KL10/00	REV A
SCALE: 1:2	WEIGHT: lbs.	SHEET 2 OF 2

5

4

3

2

1

A

A