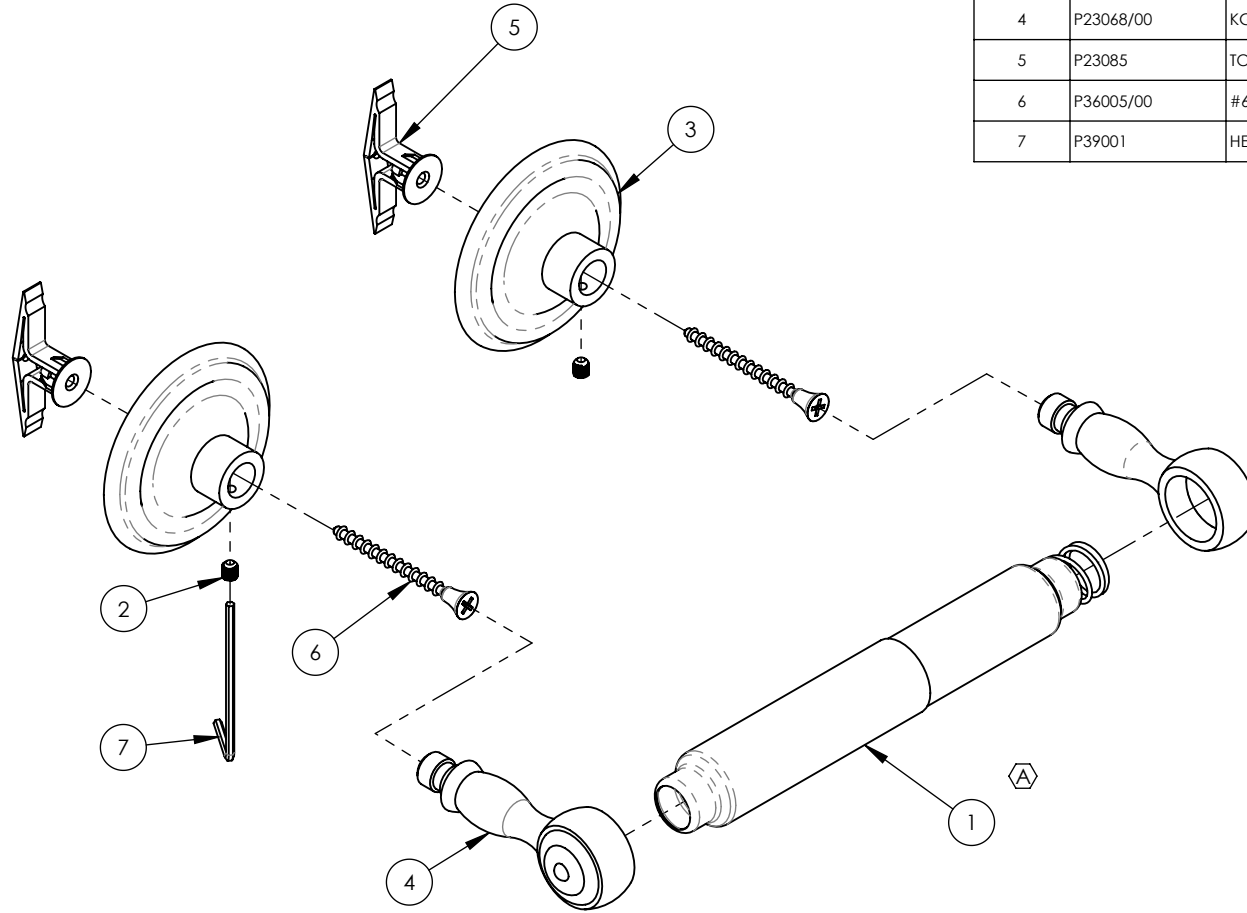


NOTE(S):
 1. PART NUMBER, "/00" DENOTES PART SHALL HAVE FINISH.

ITEM NO.	PART NUMBER	DESCRIPTION	QTY.
1	3-055/00	TP ROLL SPRING HOLDER	1
2	92008	SET SCREW, CUP POINT 8-32, 3/16" L.	2
3	P23003/00	KG BACKPLATE	2
4	P23068/00	KG50 POST	2
5	P23085	TOGGLER FOR WALL	2
6	P36005/00	#6 DRY WALL SCREW	2
7	P39001	HEX KEY 5/64, FOR 8-32 SET SCREW	1



ZONE	REV.	DESCRIPTION	DATE	APPROVED
B3, A1	A	UPDATE TEMPLATE, DWG NAME, & ROLLER	6/22/2020	AMM
REVISIONS				

1261 LOGAN AVENUE
 COSTA MESA, CALIFORNIA 92626
 PHONE: 714.361.4800
 FAX: 714.617.3120

PHYLIRICH[®]
 Defining Luxury Since 1959

PROPRIETARY AND CONFIDENTIAL
 THE INFORMATION CONTAINED IN THIS DRAWING IS THE SOLE PROPERTY OF PHYLIRICH. ANY REPRODUCTION IN PART OR AS A WHOLE WITHOUT THE WRITTEN PERMISSION OF PHYLIRICH IS PROHIBITED.

-		INTERPRET GEOMETRIC DIMENSIONING & TOLERANCING IN ACCORDANCE WITH ASME Y14.5-2009 & ASME Y14.41-2003 STANDARDS, UNLESS OTHERWISE SPECIFIED. DIMENSIONS ARE IN INCHES. TOLERANCES ARE:		
-		FRACTIONS	DECIMALS	ANGULAR
-		±1/16"	X.X: ±.1 X.XX: ±.01 X.XXX: ±.005	±2°
NEXT ASSY		USED ON		
APPLICATION				
MATERIAL		NAME	DATE	
FINISH		DRAWN	LLO	7/15/2013
DO NOT SCALE DRAWING		CHECKED	GRE	

TP HOLDER, DOUBLE POST, REVERE & SAVANNAH

SIZE	ASM/PRT NO.	REV
A	KG50/00	A

SCALE: 1:2 WEIGHT: lbs. SHEET 1 OF 2

5

4

3

2

1

E

E

D

D

C

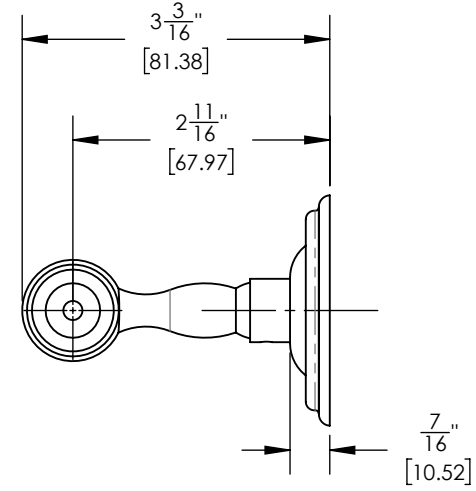
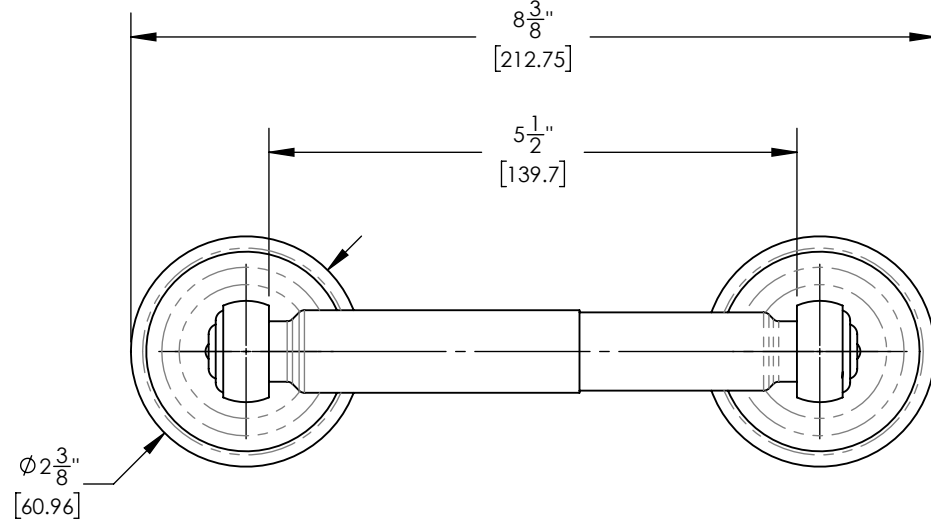
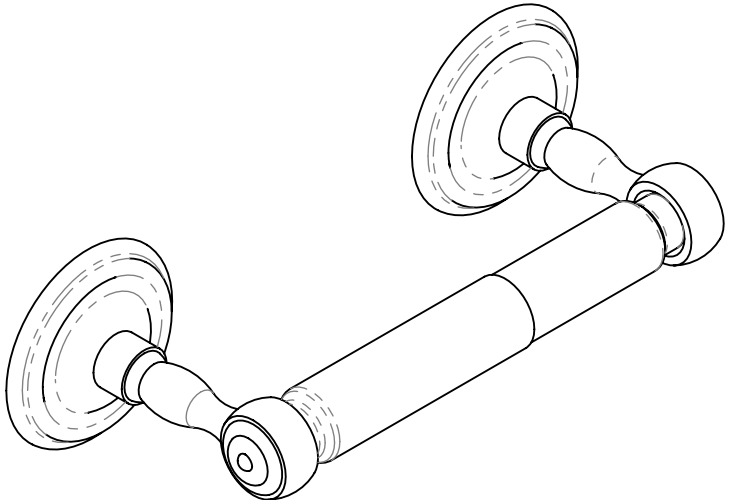
C

B

B

A

A



1261 LOGAN AVENUE
 COSTA MESA, CALIFORNIA 92626
 PHONE: 714.361.4800
 FAX: 714.617.3120

PHYLIRICH[®]
 Defining Luxury Since 1959

PROPRIETARY AND CONFIDENTIAL
 THE INFORMATION CONTAINED IN THIS DRAWING IS THE SOLE PROPERTY OF PHYLIRICH. ANY REPRODUCTION IN PART OR AS A WHOLE WITHOUT THE WRITTEN PERMISSION OF PHYLIRICH IS PROHIBITED.
DO NOT SCALE DRAWING

TP HOLDER, DOUBLE POST, REVERE & SAVANNAH

SIZE A	ASM/PRT NO. KG50/00	REV A
SCALE: 1:2	WEIGHT: lbs.	SHEET 2 OF 2

5

4

3

2

1