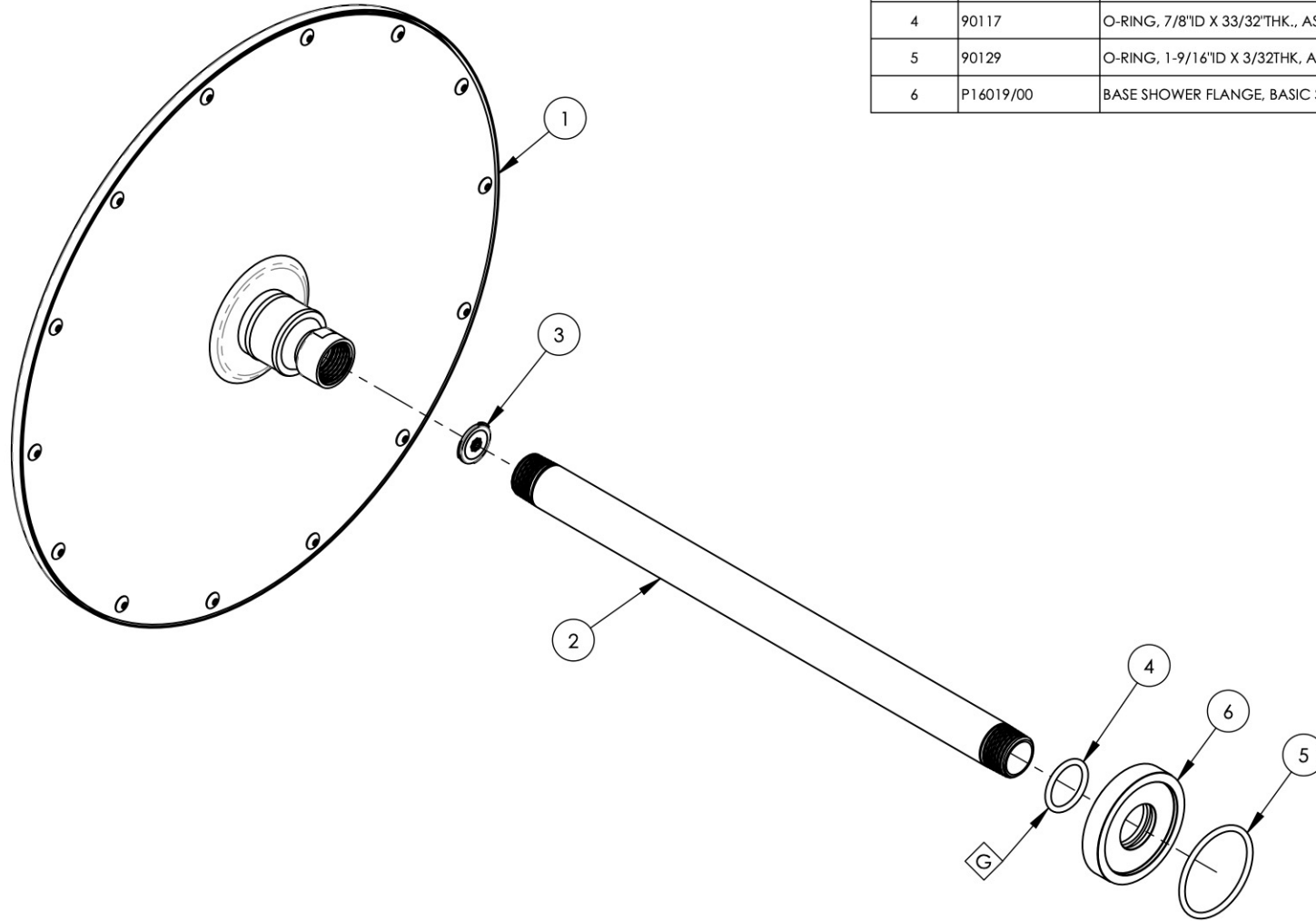


NOTE(S):  
 1. PART NUMBER, "/00" DENOTES PART SHALL HAVE FINISH.  
 2. APPLY NSF COMPLIANT GREASE TO ANY O-RING, SEALING JOINTS, AND/OR PIVOTAL POINTS.



ITEM NO.	PART NUMBER	DESCRIPTION	QTY.
1	3-338/00	SHOWERHEAD, RAIN ROUND 12"	1
2	11207/00	12" SHOWER ARM, BASIC II SERIES	1
3	11432	1.75 GPM FLOW REGULATOR	1
4	90117	O-RING, 7/8"ID X 33/32"THK., AS-568-117	1
5	90129	O-RING, 1-9/16"ID X 3/32THK, AS-568-129	1
6	P16019/00	BASE SHOWER FLANGE, BASIC SERIES	1



ZONE	REV.	DESCRIPTION	DATE	APPROVED
REVISIONS				

1261 LOGAN AVENUE  
 COSTA MESA, CALIFORNIA 92626  
 PHONE: 714.361.4800  
 FAX: 714.617.3120

**PHYLIRICH**<sup>®</sup>  
 Defining Luxury Since 1959

**PROPRIETARY AND CONFIDENTIAL**  
 THE INFORMATION CONTAINED IN THIS DRAWING IS THE SOLE PROPERTY OF PHYLIRICH. ANY REPRODUCTION IN PART OR AS A WHOLE WITHOUT THE WRITTEN PERMISSION OF PHYLIRICH IS PROHIBITED.

-	-	INTERPRET GEOMETRIC DIMENSIONING & TOLERANCING IN ACCORDANCE WITH ASME Y14.5-2009 & ASME Y14.41-2003 STANDARDS, UNLESS OTHERWISE SPECIFIED. DIMENSIONS ARE IN INCHES. TOLERANCES ARE:		
NEXT ASSY	USED ON	FRACTIONS ±1/16"	DECIMALS X.X: ±.1 X.XX: ±.01 X.XXX: ±.005	ANGULAR ±2°
APPLICATION		MATERIAL	NAME	DATE
FINISH		DRAWN	AMM	10/28/2020
<b>DO NOT SCALE DRAWING</b>		CHECKED		

**CEILING MOUNT SHOWER HEAD, 12" ROUND**

SIZE **A** ASM/PRT NO. **K832/00** REV

SCALE: 1:3 WEIGHT: lbs. SHEET 1 OF 2