

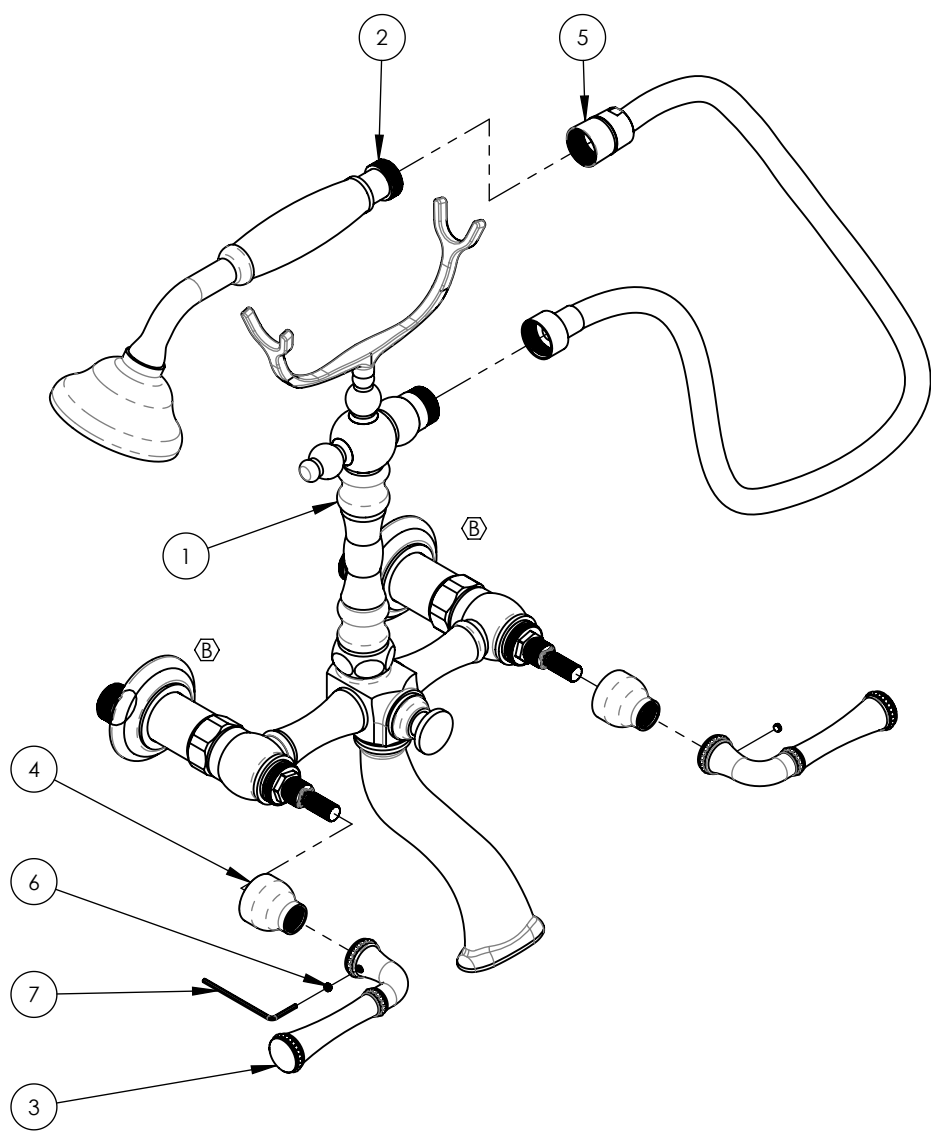
5 4 3 2 1

E

D

C

B



ITEM NO.	PART NUMBER	DESCRIPTION	QTY.
1	3-306/00	EXPOSED TUB & SHOWER, OLD TYME UNIT	1
2	4-128/00	HAND SHOWER, OLD TYME UNIT	1
3	10971/00	HANDLE, BEADED LEVER 3RING	2
4	11127/00	CARTRIDGE HOUSING, 9/16"-20 UN-2B	2
5	11146/00	HOSE, 1/2"-14 NPSM	1
6	92163	SET SCREW, CONE PT 8-32 X 1/8"L	2
7	P39001	HEX KEY 5/64, FOR 8-32 SET SCREW	1

E

D

C

B

ZONE	REV.	DESCRIPTION	DATE	APPROVED
C5, C4	B	UPDATE TEMPLATE, WALL MOUNT EXTENSION KIT ADDED	10/30/2020	AMM
REVISIONS				

1261 LOGAN AVENUE
COSTA MESA, CALIFORNIA 92626
PHONE: 714.361.4800
FAX: 714.617.3120

PHYLIRICH[®]
Defining Luxury Since 1959

PROPRIETARY AND CONFIDENTIAL
THE INFORMATION CONTAINED IN THIS DRAWING IS THE SOLE PROPERTY OF PHYLIRICH. ANY REPRODUCTION IN PART OR AS A WHOLE WITHOUT THE WRITTEN PERMISSION OF PHYLIRICH IS PROHIBITED.

-	-	INTERPRET GEOMETRIC DIMENSIONING & TOLERANCING IN ACCORDANCE WITH ASME Y14.5-2009 & ASME Y14.41-2003 STANDARDS, UNLESS OTHERWISE SPECIFIED. DIMENSIONS ARE IN INCHES. TOLERANCES ARE:
-	-	
-	-	
NEXT ASSY	USED ON	FRACTIONS ±1/16" DECIMALS X.X: ±.1 X.XX: ±.01 X.XXX: ±.005 ANGULAR ±2°
APPLICATION		
MATERIAL	NAME	DATE
FINISH	DRAWN	3/28/2014
DO NOT SCALE DRAWING		CHECKED
	GRE	

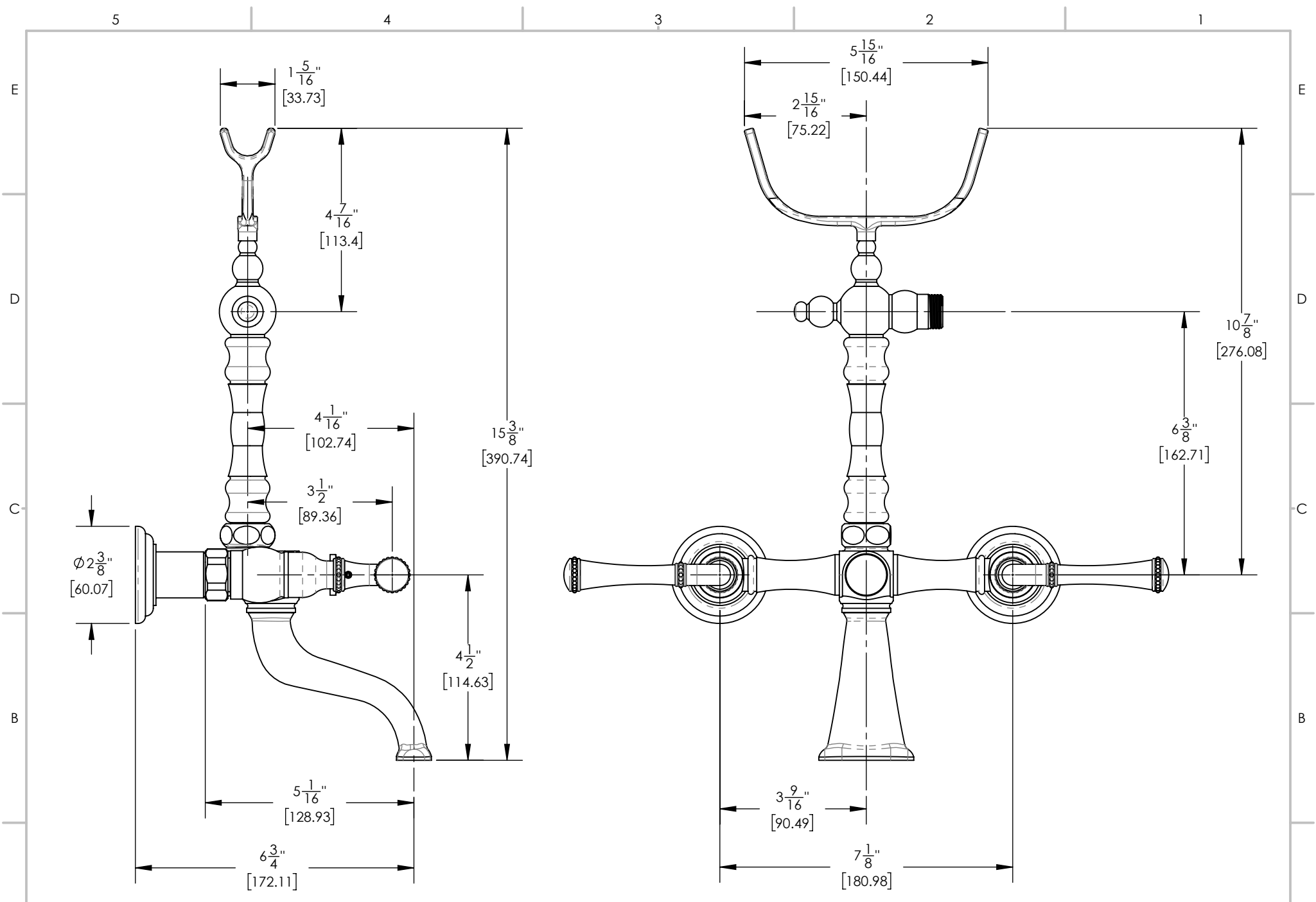
BEADED LEVER HANDLE ON EXPOSED TUB & SHOWER SET

SIZE	ASM/PRT NO.	REV
A	K2393-09/00	B

SCALE: 1:12 WEIGHT: lbs. SHEET 1 OF 2

A

5 4 3 2 1



1261 LOGAN AVENUE
 COSTA MESA, CALIFORNIA 92626
 PHONE: 714.361.4800
 FAX: 714.617.3120

PHYLIRICH[®]
 Defining Luxury Since 1959

PROPRIETARY AND CONFIDENTIAL
 THE INFORMATION CONTAINED IN THIS DRAWING IS THE SOLE PROPERTY OF PHYLIRICH. ANY REPRODUCTION IN PART OR AS A WHOLE WITHOUT THE WRITTEN PERMISSION OF PHYLIRICH IS PROHIBITED.
DO NOT SCALE DRAWING

BEADED LEVER HANDLE ON EXPOSED TUB & SHOWER SET

SIZE A	ASM/PRT NO. K2393-09/00	REV B
SCALE: 1:3	WEIGHT: lbs.	SHEET 2 OF 2

5 4 3 2 1