

5

4

3

2

1

E

E

D

D

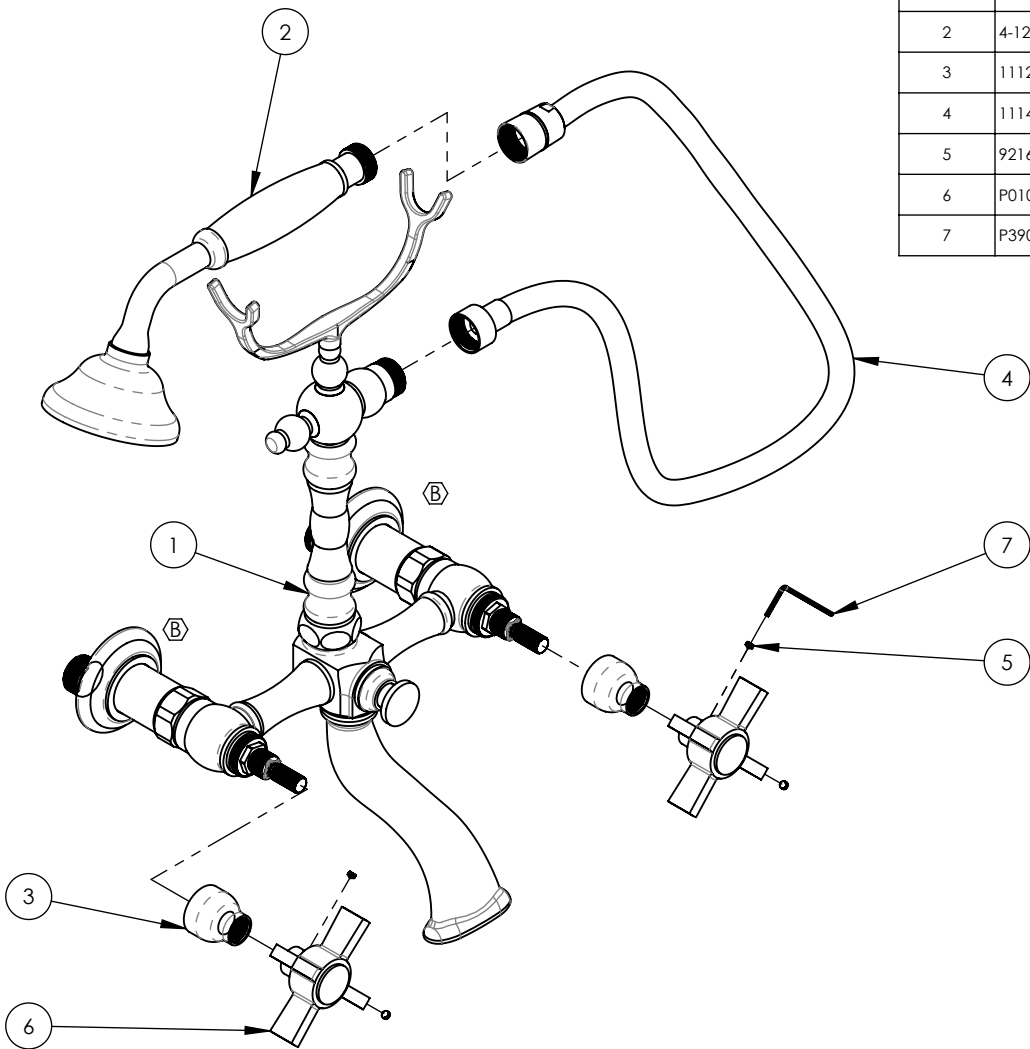
C

C

B

B

ITEM NO.	PART NUMBER	DESCRIPTION	QTY.
1	3-306/00	EXPOSED TUB & SHOWER, OLD TYME UNIT	1
2	4-128/00	HAND SHOWER, OLD TYME UNIT	1
3	11127/00	CARTRIDGE HOUSING, 9/16"-20 UN-2B	2
4	11146/00	HOSE, 1/2"-14 NPSM	1
5	92163	SET SCREW, CONE PT 8-32 X 1/8"L	4
6	P01081/00	HANDLE CROSS BLADE BASIC	2
7	P39001	HEX KEY 5/64, FOR 8-32 SET SCREW	1



C5, C4	B	UPDATE TEMPLATE, WALL MOUNT EXTENSION KIT ADDED	10/30/2020	AMM
ZONE	REV.	DESCRIPTION	DATE	APPROVED
REVISIONS				

1261 LOGAN AVENUE  
COSTA MESA, CALIFORNIA 92626  
PHONE: 714.361.4800  
FAX: 714.617.3120

**PHYLIRICH**<sup>®</sup>  
Defining Luxury Since 1959

**PROPRIETARY AND CONFIDENTIAL**  
THE INFORMATION CONTAINED IN THIS DRAWING IS THE SOLE PROPERTY OF PHYLIRICH. ANY REPRODUCTION IN PART OR AS A WHOLE WITHOUT THE WRITTEN PERMISSION OF PHYLIRICH IS PROHIBITED.

-	-	INTERPRET GEOMETRIC DIMENSIONING & TOLERANCING IN ACCORDANCE WITH ASME Y14.5-2009 & ASME Y14.41-2003 STANDARDS, UNLESS OTHERWISE SPECIFIED. DIMENSIONS ARE IN INCHES. TOLERANCES ARE: <b>FRACTIONS</b> ±1/16" <b>DECIMALS</b> X.X: ±.1 X.XX: ±.01 X.XXX: ±.005 <b>ANGULAR</b> ±2°
NEXT ASSY	USED ON	
APPLICATION		
MATERIAL	NAME	DATE
FINISH	DRAWN	3/28/2014
<b>DO NOT SCALE DRAWING</b>		CHECKED
	GRE	

**BASIC BLADE CROSS HANDLE ON EXPOSED TUB & SHOWER SET**

SIZE	ASM/PRT NO.	REV
<b>A</b>	K2393-08/00	<b>B</b>
SCALE: 1:12	WEIGHT: lbs.	SHEET 1 OF 2

5

4

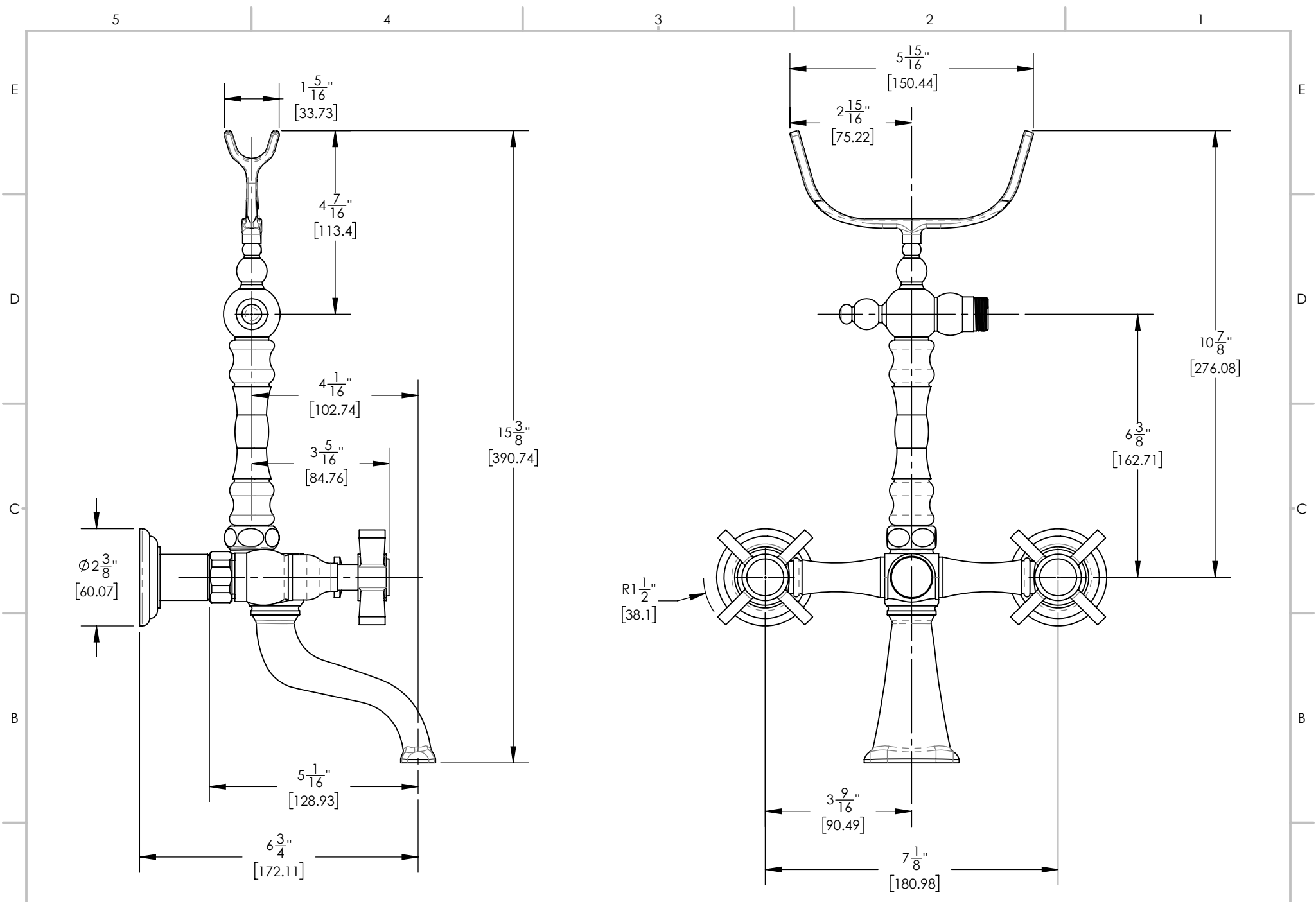
3

2

1

A

A



1261 LOGAN AVENUE  
 COSTA MESA, CALIFORNIA 92626  
 PHONE: 714.361.4800  
 FAX: 714.617.3120

**PHYLIRICH**<sup>®</sup>  
 Defining Luxury Since 1959

**PROPRIETARY AND CONFIDENTIAL**  
 THE INFORMATION CONTAINED IN THIS DRAWING  
 IS THE SOLE PROPERTY OF PHYLIRICH. ANY  
 REPRODUCTION IN PART OR AS A WHOLE  
 WITHOUT THE WRITTEN PERMISSION OF PHYLIRICH  
 IS PROHIBITED.  
**DO NOT SCALE DRAWING**

**BASIC BLADE CROSS HANDLE ON  
 EXPOSED TUB & SHOWER SET**

SIZE <b>A</b>	ASM/PRT NO. K2393-08/00	REV B
SCALE: 1:3	WEIGHT: lbs.	SHEET 2 OF 2

A

A