

5

4

3

2

1

E

E

D

D

C

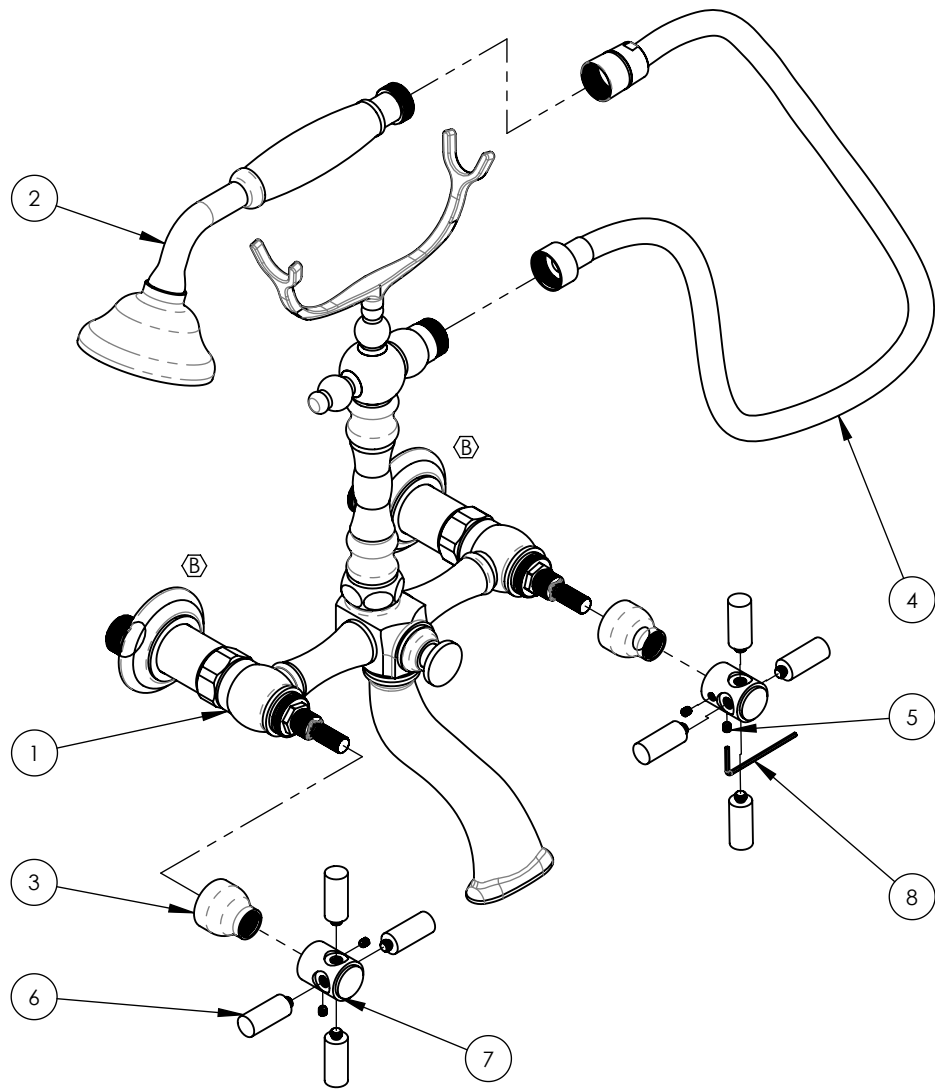
C

B

B

A

A



ITEM NO.	PART NUMBER	DESCRIPTION	QTY.
1	3-306/00	EXPOSED TUB & SHOWER, OLD TYME UNIT	1
2	4-128/00	HAND SHOWER, OLD TYME UNIT	1
3	11127/00	CARTRIDGE HOUSING, 9/16"-20 UN-2B	2
4	11146/00	HOSE, 1/2"-14 NPSM	1
5	92008	SET SCREW, CUP POINT 8-32, 3/16" L.	4
6	P01075/00	LOBE, HANDLE CROSS BASIC	8
7	P01077/00	STEM, CROSS HANDLE	2
8	P39001	HEX KEY 5/64, FOR 8-32 SET SCREW	1

C5, C4	B	UPDATE TEMPLATE, WALL MOUNT EXTENSION KIT ADDED	10/30/2020	AMM
ZONE	REV.	DESCRIPTION	DATE	APPROVED
REVISIONS				

1261 LOGAN AVENUE  
COSTA MESA, CALIFORNIA 92626  
PHONE: 714.361.4800  
FAX: 714.617.3120

**PHYLIRICH**<sup>®</sup>  
Defining Luxury Since 1959

**PROPRIETARY AND CONFIDENTIAL**  
THE INFORMATION CONTAINED IN THIS DRAWING IS THE SOLE PROPERTY OF PHYLIRICH. ANY REPRODUCTION IN PART OR AS A WHOLE WITHOUT THE WRITTEN PERMISSION OF PHYLIRICH IS PROHIBITED.

-	-	INTERPRET GEOMETRIC DIMENSIONING & TOLERANCING IN ACCORDANCE WITH ASME Y14.5-2009 & ASME Y14.41-2003 STANDARDS, UNLESS OTHERWISE SPECIFIED. DIMENSIONS ARE IN INCHES. TOLERANCES ARE:		
NEXT ASSY	USED ON	<b>FRACTIONS</b> ±1/16"	<b>DECIMALS</b> X.X: ±.1 X.XX: ±.01 X.XXX: ±.005	<b>ANGULAR</b> ±2°
APPLICATION		MATERIAL	NAME	DATE
FINISH		DRAWN	3/28/2014	
<b>DO NOT SCALE DRAWING</b>		CHECKED	GRE	

**BASIC TUBULAR CROSS HANDLE ON EXPOSED TUB & SHOWER SET**

SIZE	ASM/PRT NO.	REV
<b>A</b>	K2393-07/00	<b>B</b>

SCALE: 1:12      WEIGHT: lbs.      SHEET 1 OF 2

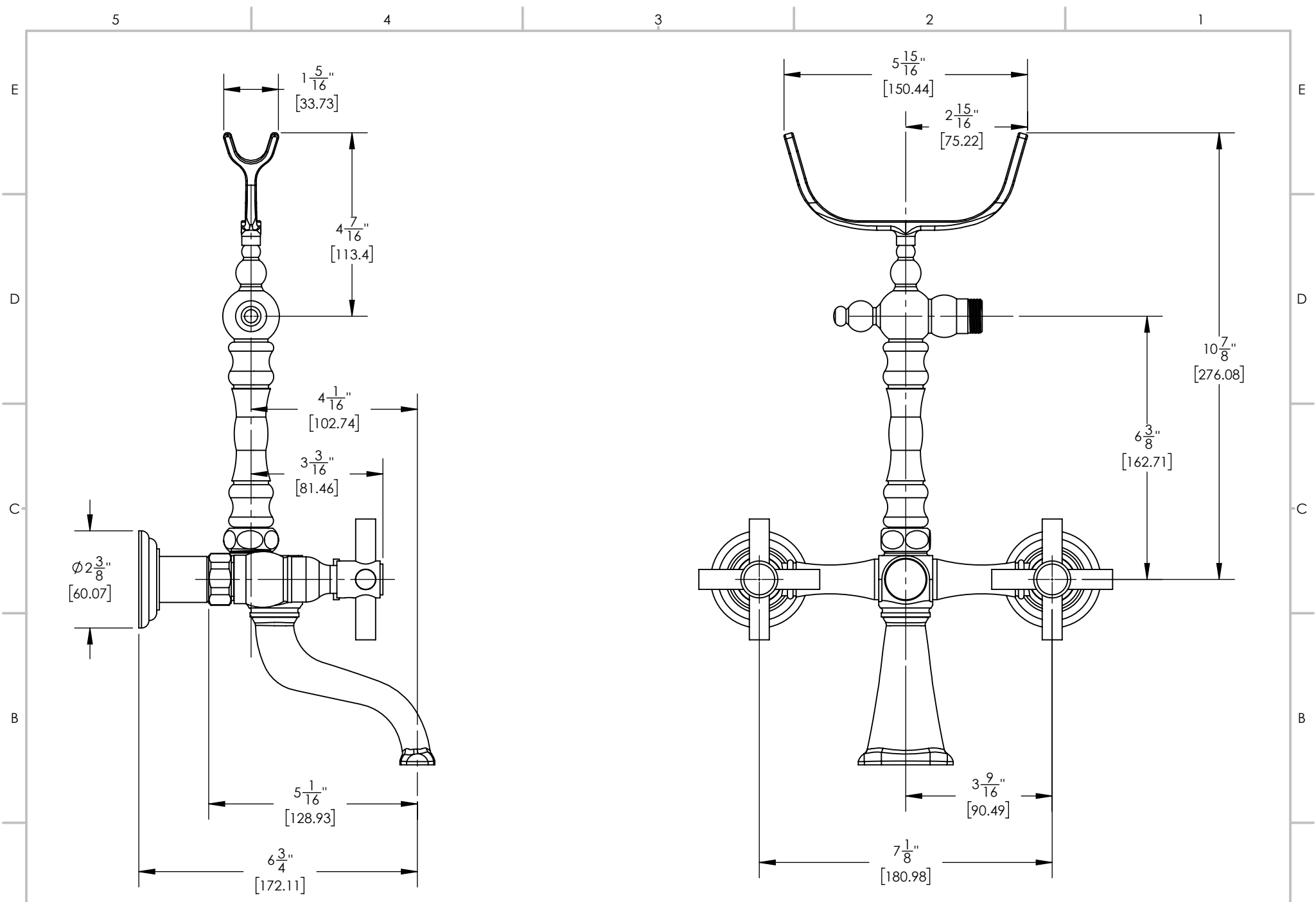
5

4

3

2

1



1261 LOGAN AVENUE  
 COSTA MESA, CALIFORNIA 92626  
 PHONE: 714.361.4800  
 FAX: 714.617.3120

**PHYLIRICH**<sup>®</sup>  
 Defining Luxury Since 1959

**PROPRIETARY AND CONFIDENTIAL**  
 THE INFORMATION CONTAINED IN THIS DRAWING IS THE SOLE PROPERTY OF PHYLIRICH. ANY REPRODUCTION IN PART OR AS A WHOLE WITHOUT THE WRITTEN PERMISSION OF PHYLIRICH IS PROHIBITED.  
**DO NOT SCALE DRAWING**

**BASIC TUBULAR CROSS HANDLE ON EXPOSED TUB & SHOWER SET**

SIZE <b>A</b>	ASM/PRT NO. K2393-07/00	REV B
SCALE: 1:3	WEIGHT: lbs.	SHEET 2 OF 2