

A

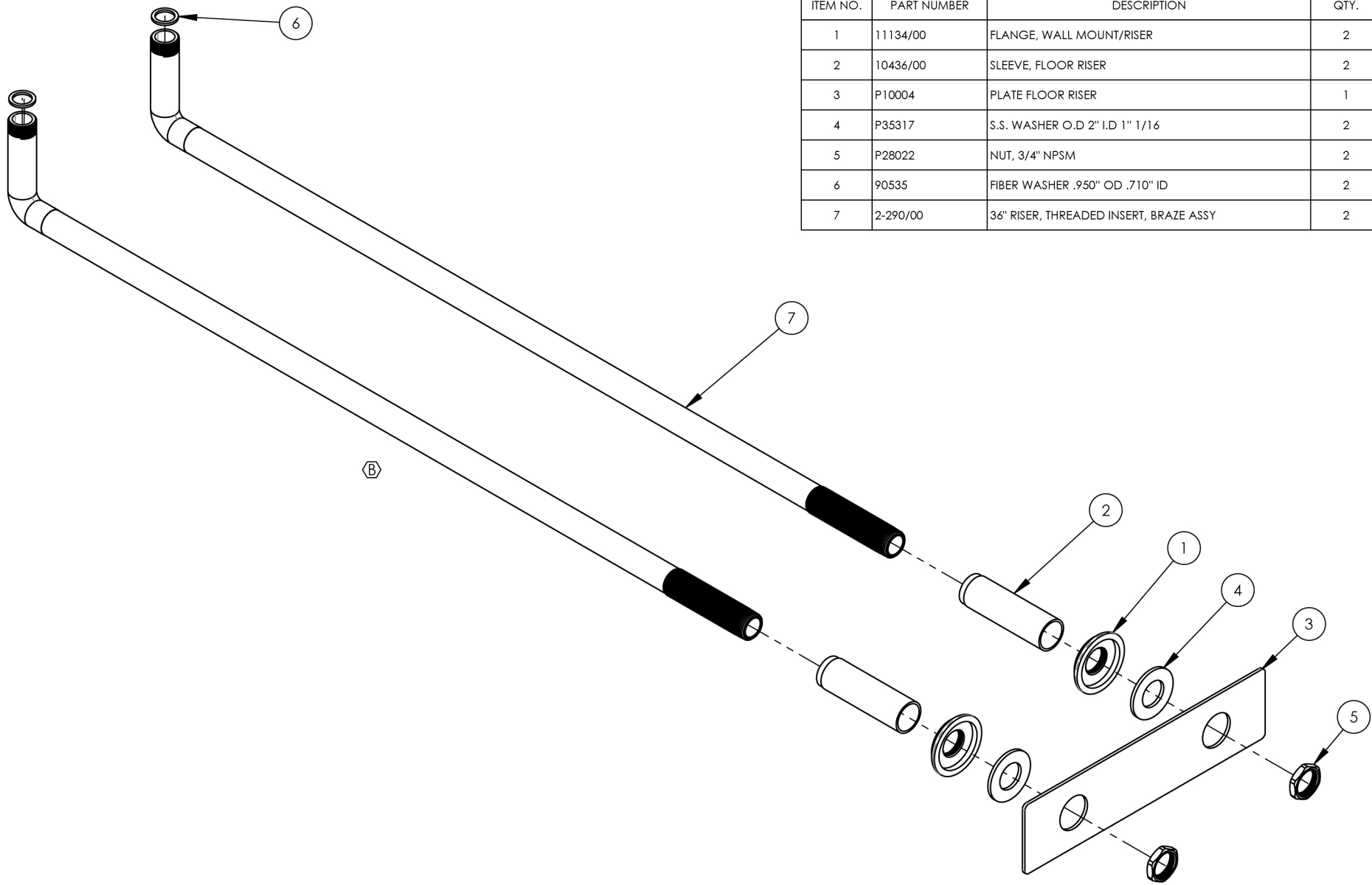
B

C

D

E

ITEM NO.	PART NUMBER	DESCRIPTION	QTY.
1	11134/00	FLANGE, WALL MOUNT/RISER	2
2	10436/00	SLEEVE, FLOOR RISER	2
3	P10004	PLATE FLOOR RISER	1
4	P35317	S.S. WASHER O.D 2" I.D 1" 1/16	2
5	P28022	NUT, 3/4" NPSM	2
6	90535	FIBER WASHER .950" OD .710" ID	2
7	2-290/00	36" RISER, THREADED INSERT, BRAZE ASSY	2



C4	B	REPLACED COMPONENT FOR NEW ELBOW VERSION	7/9/2024	FVM
ZONE	REV.	DESCRIPTION	DATE	APPROVED

REVISIONS

1261 LOGAN AVENUE
COSTA MESA, CALIFORNIA 92626
PHONE: 714.361.4800
FAX: 714.617.3120

PHYLIRICH®

Defining Luxury Since 1959

PROPRIETARY AND CONFIDENTIAL
THE INFORMATION CONTAINED IN THIS DRAWING IS THE SOLE PROPERTY OF RSS MANUFACTURING. ANY REPRODUCTION IN PART OR AS A WHOLE WITHOUT THE WRITTEN PERMISSION OF RSS MANUFACTURING IS PROHIBITED.

MATERIAL	APPLICATION	FRACCTIONS ±1/64"	DECIMALS X.X: ±.1 X.XX: ±.01 X.XXX: ±.005	ANGULAR ±.5°
FINISH	DRAWN	NAME	DATE	
DO NOT SCALE DRAWING	CHECKED			

36" FLOOR RISERS FOR OLD TYME WALL MOUNT

SIZE	ASM/PRT NO.	REV
A	K2390XFR36/00	B
SCALE: 1:5	WEIGHT: lbs.	SHEET 1 OF 2

5

4

3

2

1