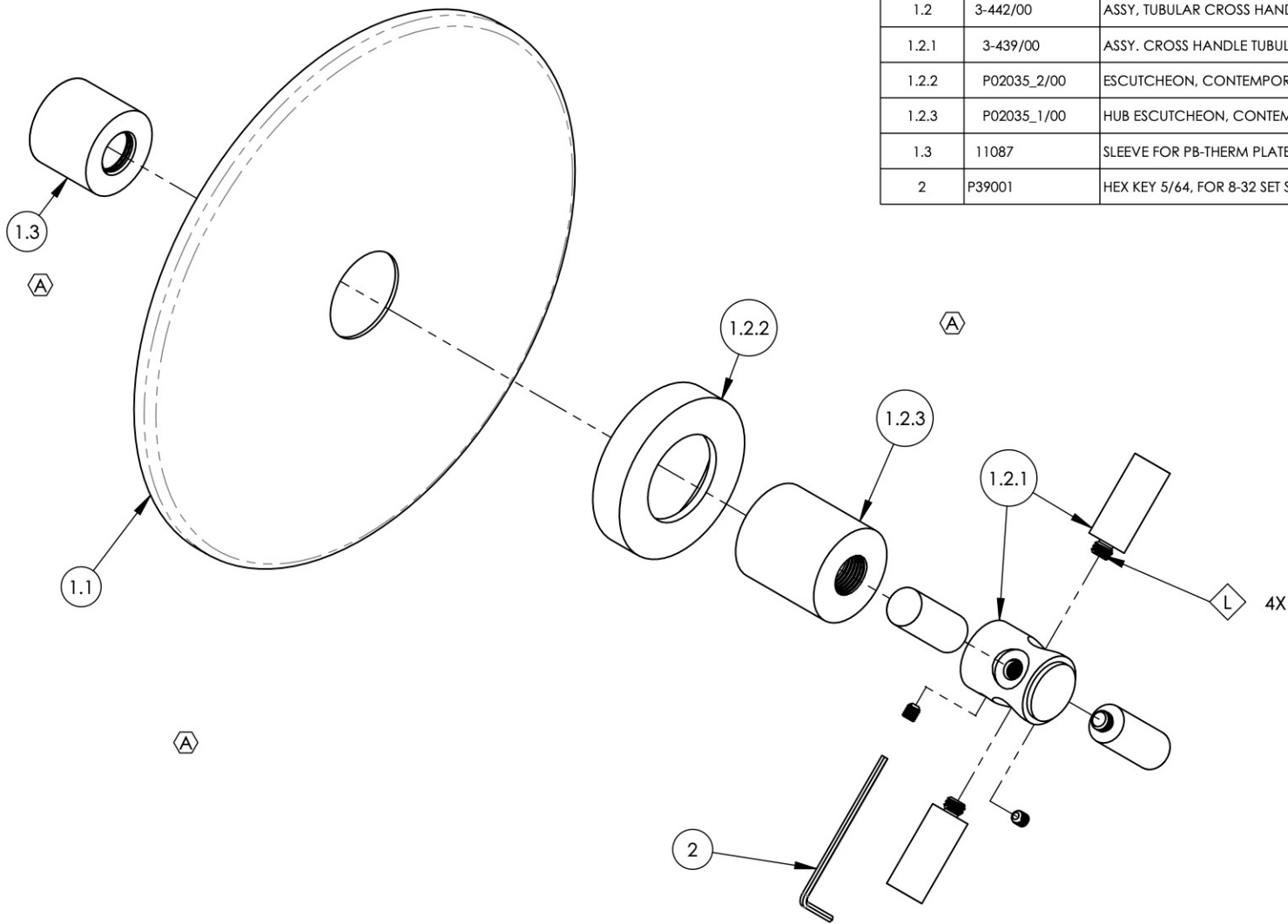


NOTE(S):  
 1. APPLY NSF COMPLIANT LOCTITE TO THREADED AREA. 

ITEM NO.	PART NUMBER	DESCRIPTION	QTY.
1	4-022/00	SHOWER TRIM PLATE, SINGLE HANDLE, CROSS TUBULAR, BASIC	1
1.1	P20016/00	TRIM PLATE, BASIC	1
1.2	3-442/00	ASSY, TUBULAR CROSS HANDLE, BASIC	1
1.2.1	3-439/00	ASSY. CROSS HANDLE TUBULAR, BASIC SERIES	1
1.2.2	P02035_2/00	ESCUTCHEON, CONTEMPORARY	1
1.2.3	P02035_1/00	HUB ESCUTCHEON, CONTEMPORARY TOP	1
1.3	11087	SLEEVE FOR PB-THERM PLATE	1
2	P39001	HEX KEY 5/64, FOR 8-32 SET SCREW	1



ALL	REV.	DESCRIPTION	DATE	APPROVED
A		UPDATE TEMPLATE, HANDLE ASSY, SLEEVE MOUNT, REMOVE TAPE	5/19/2020	AMM

**PHYL RICH**  
 Defining Luxury Since 1959

1261 LOGAN AVENUE  
 COSTA MESA, CALIFORNIA 92626  
 PHONE: 714.361.4800  
 FAX: 714.617.3120

**PROPRIETARY AND CONFIDENTIAL**  
 THE INFORMATION CONTAINED IN THIS DRAWING IS THE SOLE PROPERTY OF PHYL RICH. ANY REPRODUCTION IN PART OR AS A WHOLE WITHOUT THE WRITTEN PERMISSION OF PHYL RICH IS PROHIBITED.

NEXT ASSY		USED ON		INTERPRET GEOMETRIC DIMENSIONING & TOLERANCING IN ACCORDANCE WITH ASME Y14.5-2009 & ASME Y14.41-2003 STANDARDS, UNLESS OTHERWISE SPECIFIED. DIMENSIONS ARE IN INCHES. TOLERANCES ARE: <b>FRACTIONS</b> ±1/16" <b>DECIMALS</b> X.X: ±.1 X.XX: ±.01 X.XXX: ±.005 <b>ANGULAR</b> ±2°		
APPLICATION				NAME	DATE	
MATERIAL				DRAWN	LLO	10/7/2015
FINISH				CHECKED	GRE	
<b>DO NOT SCALE DRAWING</b>						

**1/2" AND 3/4" THERMOSTATIC SHOWER TRIM, TUB CROSS HDL, BASIC**

SIZE	ASM/PRT NO.	REV
<b>A</b>	DTH134/00	A

SCALE: 1:2      WEIGHT: lbs.      SHEET 1 OF 2

5 4 3 2 1

E D C B A

A L

4X

5 4 3 2 1

A