

NOTE(S):  
 1. PART NUMBER, "/00" DENOTES PART SHALL HAVE FINISH.

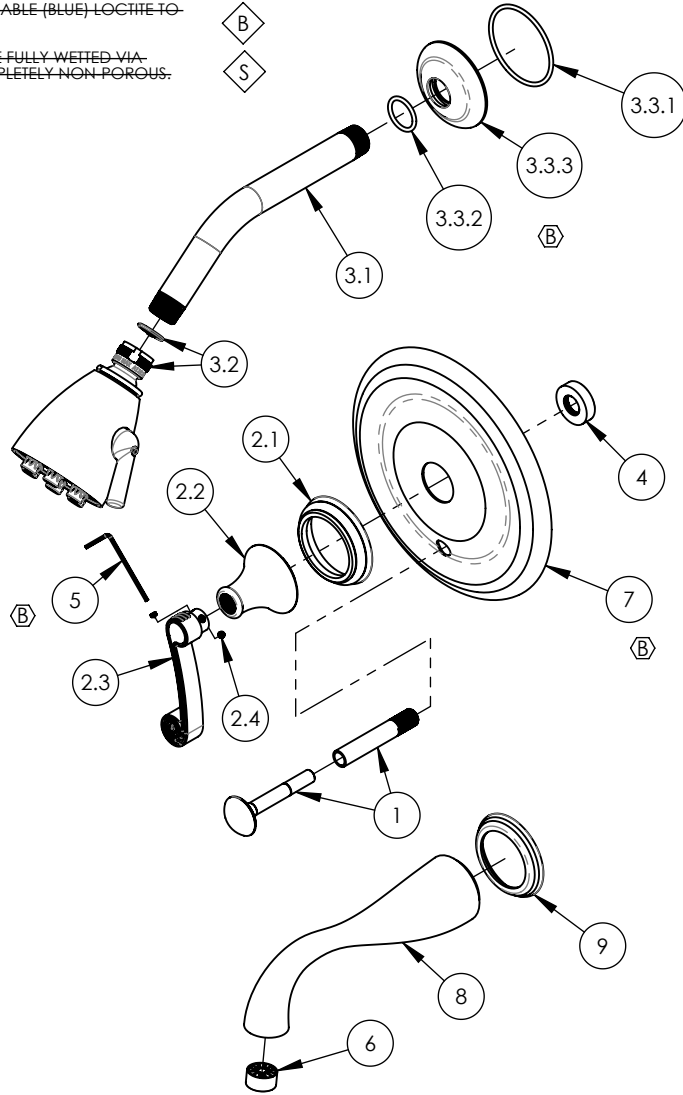
2. APPLY NSF COMPLIANT GREASE TO ANY O-RING, SEALING JOINTS, AND/OR PIVOTAL POINTS.

3. APPLY NSF COMPLIANT LOCTITE TO THREADED AREA.

4. APPLY NSF COMPLIANT REMOVABLE (BLUE) LOCTITE TO THREADED AREA.

5. SILVER SOLDER JOINTS SHALL BE FULLY WETTED VIA CAPILLARY ACTION AND COMPLETELY NON-POROUS.

◇ G  
 ◇ L  
 ◇ B  
 ◇ S



ITEM NO.	PART NUMBER	DESCRIPTION	QTY.
1	3-125/00	DIVERTER EXTENSION ASSY FOR PB TUB & SHOWER SET	1
2	3-477/00	ASSY. RIGHT CURVED LEVER HANDLE, 3 RING SERIES	1
2.1	11188/00	ESCUTCHEON, HANDLE BASE 3RING	1
2.2	10972/00	HUB, TRANSITIONAL 3RING	1
2.3	P01080	3 RING CURVED HANDLE, RIGHT	1
2.4	92163	SET SCREW, CONE PT 8-32 X 1/8"L	2
3	4-140/00	SHOWER HEAD 8" ARM, 6 JET PLUNGER, HEX TRADITIONAL	1
3.1	P16008/00	SHOWER ARM (8 INCH)	1
3.2	3-018/00	SHOWERHEAD SIX JET	1
3.3	3-720/00	SHOWER FLANGE, REGENT	1
3.3.1	90138	O-RING, 2 1/8"ID X 3/32"THK., AS-568-138	1
3.3.2	90117	O-RING, 7/8"ID X 33/32"THK., AS-568-117	1
3.3.3	P16011/00	K803 SHOWER FLANGE	1
4	11087	SLEEVE FOR PB-THERM PLATE	1
5	92021	HEX KEY 5/64, FOR 8-32 SET SCREW	1
6	P03061	#CH-101-6 PLTC WTR STNR FOR SPOUT	1
7	P17011/00	TRIM PLATE, PRESSURE BALANCE, SMOOTH, DOUBLE HOLE	1
8	P26001/00	DORALFE WALL TUB SPOUT	1
9	P26018/00	ESCUTCHEON BASE, 3RING WALL SPOUT	1

ALL	B	UPDATE TRIM PLATE, HEX KEY, & SHOWER FLANGE SUBASSY	4/23/2021	AMM
ZONE	REV.	DESCRIPTION	DATE	APPROVED
REVISIONS				

1261 LOGAN AVENUE  
 COSTA MESA, CALIFORNIA 92626  
 PHONE: 714.361.4800  
 FAX: 714.617.3120

**PHYLIRICH**<sup>®</sup>  
 Defining Luxury Since 1959

**PROPRIETARY AND CONFIDENTIAL**  
 THE INFORMATION CONTAINED IN THIS DRAWING IS THE SOLE PROPERTY OF PHYLIRICH. ANY REPRODUCTION IN PART OR AS A WHOLE WITHOUT THE WRITTEN PERMISSION OF PHYLIRICH IS PROHIBITED.  
**DO NOT SCALE DRAWING**

PB TUB & SHOWER SET TRIM 3RING SERIES,  
 CURVED LEVER (205-27/00)

SIZE <b>A</b>	ASM/PRT NO. DPB2206/00	REV B
SCALE: 1:5	WEIGHT: lbs.	SHEET 1 OF 2

5

4

3

2

1

E

E

D

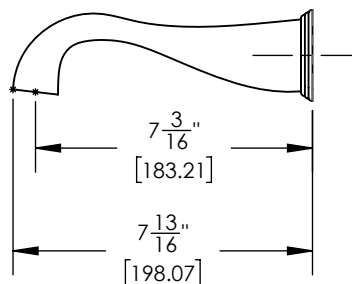
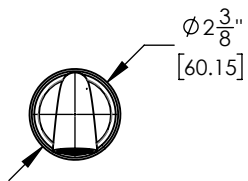
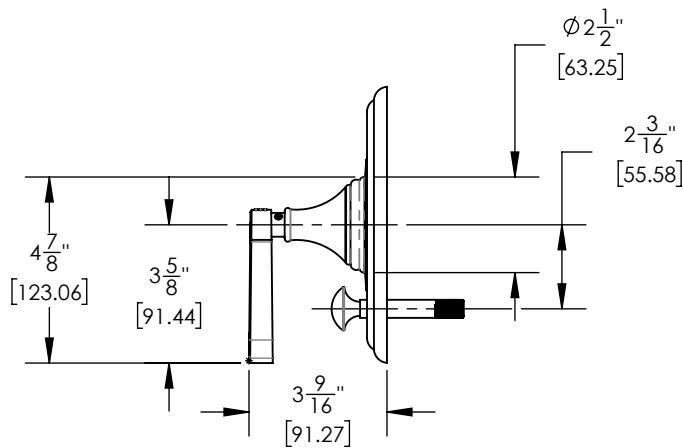
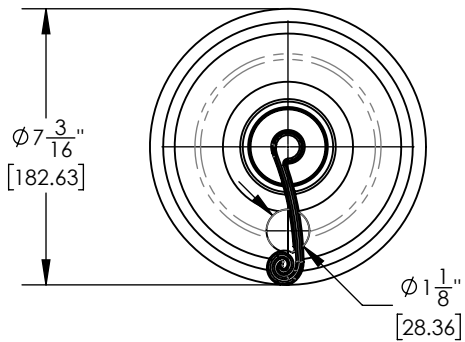
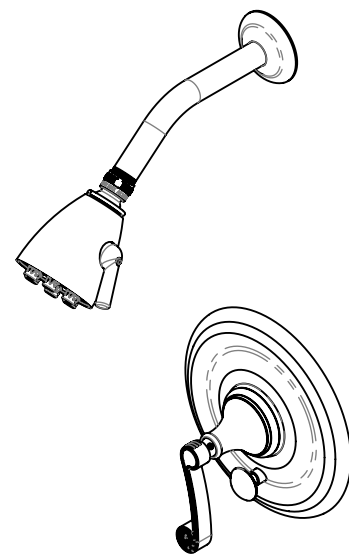
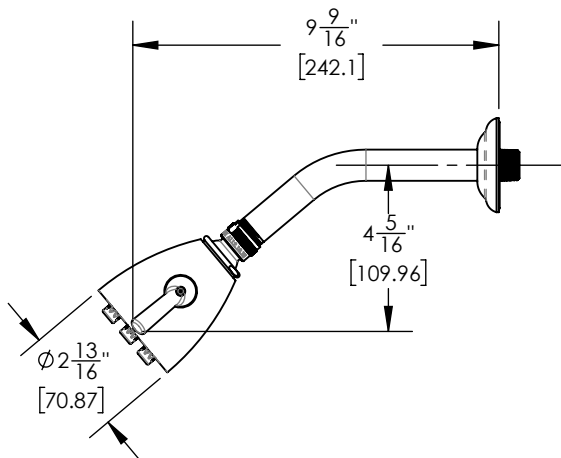
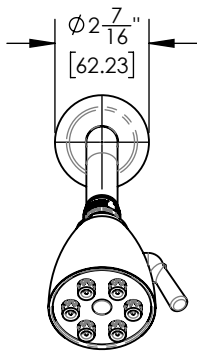
D

C

C

B

B



1261 LOGAN AVENUE  
COSTA MESA, CALIFORNIA 92626  
PHONE: 714.361.4800  
FAX: 714.617.3120

**PHYLIRICH**<sup>®</sup>  
Defining Luxury Since 1959

**PROPRIETARY AND CONFIDENTIAL**  
THE INFORMATION CONTAINED IN THIS DRAWING IS THE SOLE PROPERTY OF PHYLIRICH. ANY REPRODUCTION IN PART OR AS A WHOLE WITHOUT THE WRITTEN PERMISSION OF PHYLIRICH IS PROHIBITED.  
**DO NOT SCALE DRAWING**

PB TUB & SHOWER SET TRIM 3RING SERIES,  
CURVED LEVER (205-27/00)

<b>SIZE</b> <b>A</b>	ASM/PRT NO.	REV
	DPB2206/00	B
SCALE: 1:6	WEIGHT: lbs.	SHEET 2 OF 2

5

4

3

2

1

A

A