

5

4

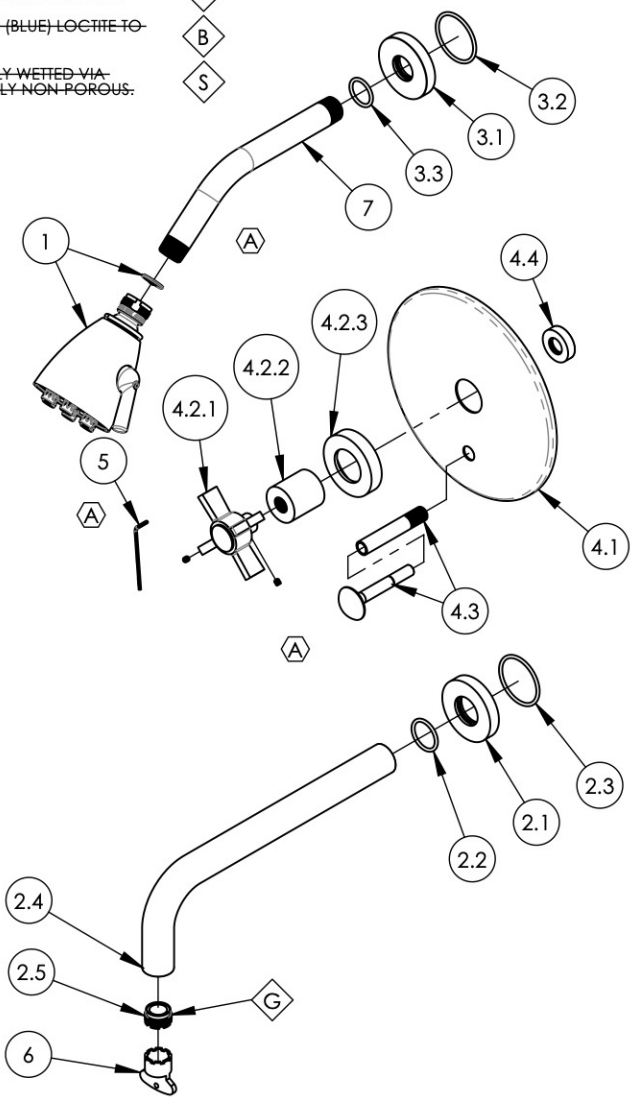
3

2

1

- NOTE(S):
1. PART NUMBER, "/00" DENOTES PART SHALL HAVE FINISH.
 2. APPLY NSF COMPLIANT GREASE TO ANY O-RING, SEALING JOINTS, AND/OR PIVOTAL POINTS.
 3. APPLY NSF COMPLIANT LOCTITE TO THREADED AREA.
 4. APPLY NSF COMPLIANT REMOVABLE (BLUE) LOCTITE TO THREADED AREA.
 5. SILVER SOLDER JOINTS SHALL BE FULLY WETTED VIA CAPILLARY ACTION AND COMPLETELY NON-POROUS.

- G
- L
- B
- S



ITEM NO.	PART NUMBER	DESCRIPTION	QTY.
1	3-018/00	SHOWERHEAD SIX JET	1
2	3-419/00	WALL TUB, SPOUT ONLY, 10" L, BASIC	1
2.1	P19017/00	ESCUTCHEON, FOR SPOUT	1
2.2	90119	O-RING, 15/16"ID X 1-1/8"OD X 3/32"THK, AS-568-119	1
2.3	90129	O-RING, 1-9/16"ID X 3/32"THK, AS-568-129	1
2.4	10479/00	10" WALL LAV SPOUT, BASIC SERIES	1
2.5	P05024	AERATOR CACHE COIN SLOT, M21.5X1.0 FULL FLOW	1
3	3-700/00	SHOWER FLANGE, CONTEMPORARY, ROUND	1
3.1	P16019/00	BASE SHOWER FLANGE, BASIC SERIES	1
3.2	90129	O-RING, 1-9/16"ID X 3/32"THK, AS-568-129	1
3.3	90117	O-RING, 7/8"ID X 3/32"THK., AS-568-117	1
4	4-020/00	SHOWER TRIM PLATE W/ DIVERTER BLADE CROSS HANDLE, BASIC	1
4.1	P20017/00	PB TRIM PLATE, BASIC	1
4.2	3-443/00	ASSY, BLADE CROSS HANDLE, BASIC	1
4.2.1	3-440/00	ASSY. BLADE HANDLE, BASIC SERIES	1
4.2.2	P02035_1/00	HUB ESCUTCHEON, CONTEMPORARY TOP	1
4.2.3	P02035_2/00	ESCUTCHEON, CONTEMPORARY	1
4.3	3-125/00	DIVERTER EXTENSION ASSY FOR PB TUB & SHOWER SET	1
4.4	11087	SLEEVE FOR PB-THERM PLATE	1
5	92021	HEX KEY 5/64, FOR 8-32 SET SCREW	1
6	P05025	AERATOR, BASIC KEY, PLASTIC RED	1
7	P16008/00	SHOWER ARM (8 INCH)	1

ALL	A	DISSOLVE SHOWER ASSY, UPDATE TRIM PLATE ASSY, UPDATE HEX KEY	11/4/2021	AMM
ZONE	REV.	DESCRIPTION	DATE	APPROVED
REVISIONS				

1261 LOGAN AVENUE
COSTA MESA, CALIFORNIA 92626
PHONE: 714.361.4800
FAX: 714.617.3120

PHYLIRICH[®]
Defining Luxury Since 1959

PROPRIETARY AND CONFIDENTIAL
THE INFORMATION CONTAINED IN THIS DRAWING IS THE SOLE PROPERTY OF PHYLIRICH. ANY REPRODUCTION IN PART OR AS A WHOLE WITHOUT THE WRITTEN PERMISSION OF PHYLIRICH IS PROHIBITED.
DO NOT SCALE DRAWING

SHOWER TRIM SET, PB, TUB & SHOWER, SPOUT 10"L W/ CROSS BLADE, BASIC, (132-27)

SIZE A	ASM/PRT NO. DPB2137-10/00	REV A
SCALE: 1:6	WEIGHT: lbs.	SHEET 1 OF 2

5

4

3

2

1