

NOTE(S):  
 1. PART NUMBER, "/00" DENOTES PART SHALL HAVE FINISH.

2. APPLY NSF COMPLIANT GREASE TO ANY O-RING, SEALING JOINTS, AND/OR PIVOTAL POINTS.

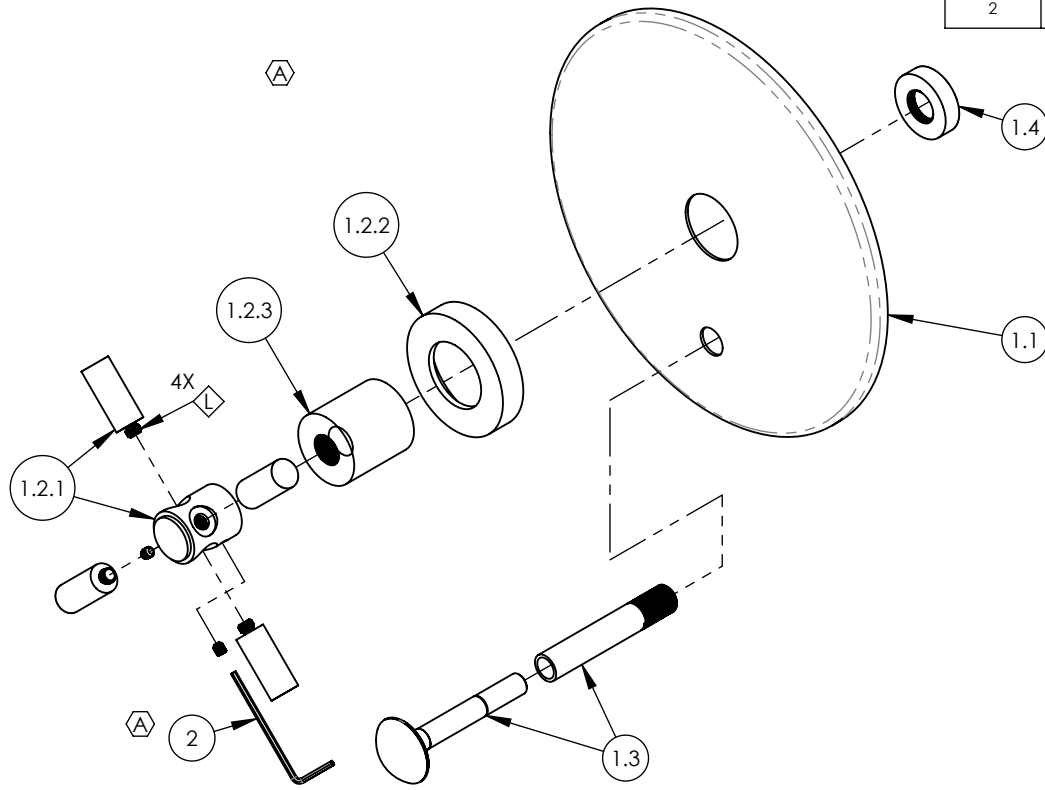
3. APPLY NSF COMPLIANT LOCTITE TO THREADED AREA.

4. APPLY NSF COMPLIANT REMOVABLE (BLUE) LOCTITE TO THREADED AREA.

5. SILVER SOLDER JOINTS SHALL BE FULLY WETTED VIA CAPILLARY ACTION AND COMPLETELY NON-POROUS.



ITEM NO.	PART NUMBER	DESCRIPTION	QTY.
1	4-019/00	SHOWER TRIM PLATE W/ DIVERTER TUBULAR CROSS HANDLE, BASIC	1
1.1	P20017/00	PB TRIM PLATE, BASIC	1
1.2	3-442/00	ASSY, TUBULAR CROSS HANDLE, BASIC	1
1.2.1	3-439/00	ASSY. CROSS HANDLE TUBULAR, BASIC SERIES	1
1.2.2	P02035_2/00	ESCUTCHEON, CONTEMPORARY	1
1.2.3	P02035_1/00	HUB ESCUTCHEON, CONTEMPORARY TOP	1
1.3	3-125/00	DIVERTER EXTENSION ASSY FOR PB TUB & SHOWER SET	1
1.4	11087	SLEEVE FOR PB-THERM PLATE	1
2	92021	HEX KEY 5/64, FOR 8-32 SET SCREW	1



B5, D4	A	REMOVE SPOUT & SHOWER ASSYS, ADD TRIM PLATE ASSY, UPDATE HEX KEY	11/4/2021	AMM
ZONE	REV.	DESCRIPTION	DATE	APPROVED

REVISIONS

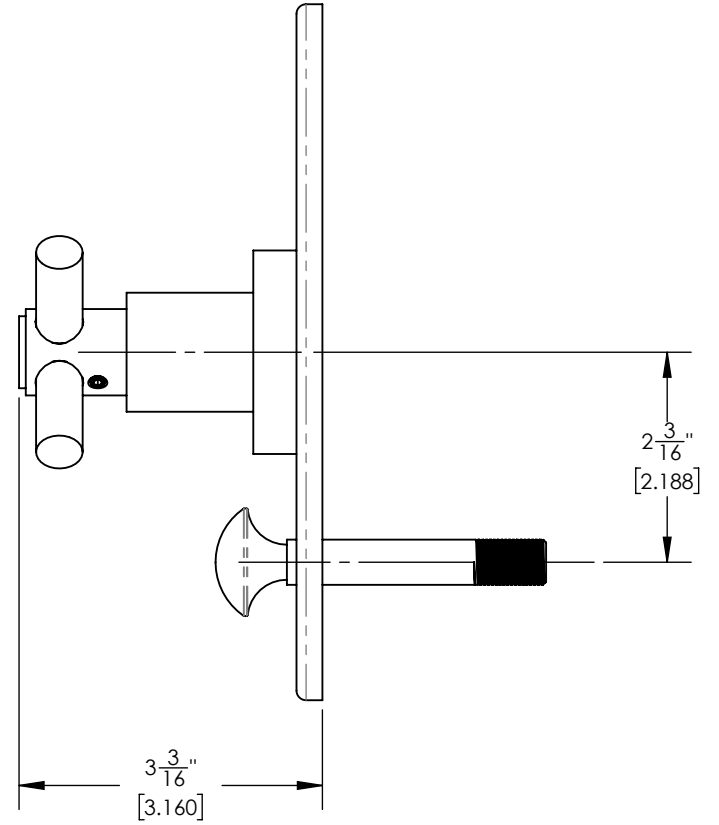
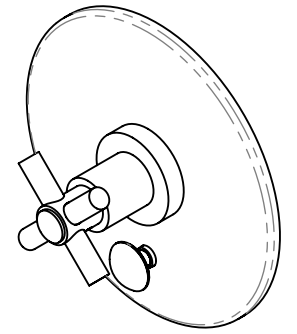
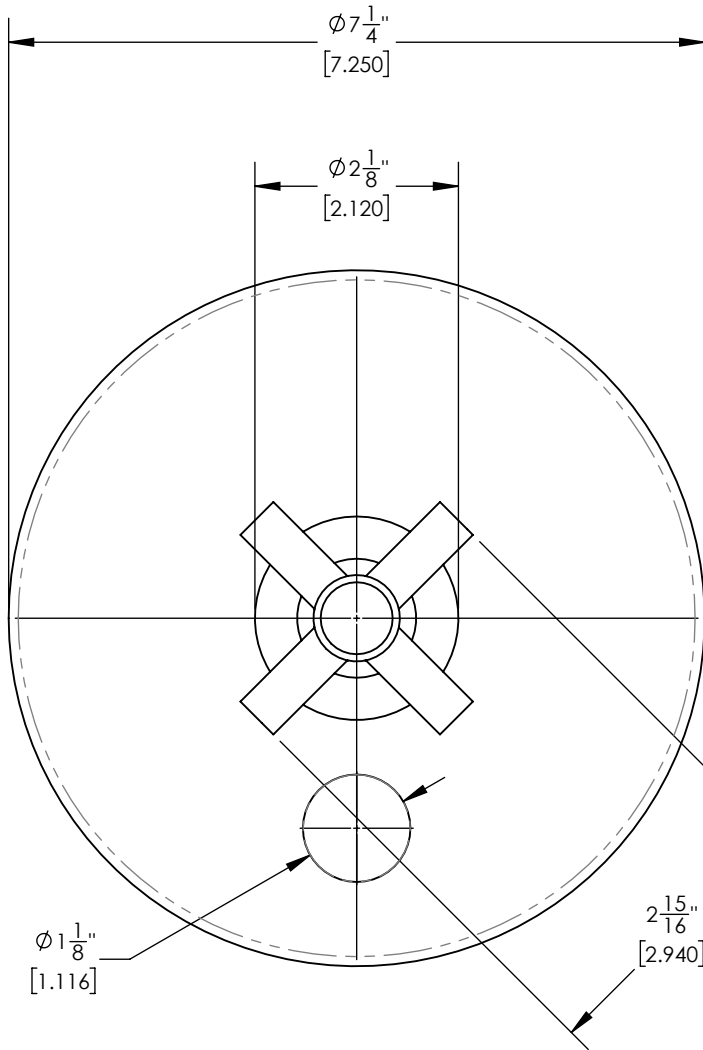
1261 LOGAN AVENUE  
 COSTA MESA, CALIFORNIA 92626  
 PHONE: 714.361.4800  
 FAX: 714.617.3120

**PHYLIRICH**<sup>®</sup>  
 Defining Luxury Since 1959

**PROPRIETARY AND CONFIDENTIAL**  
 THE INFORMATION CONTAINED IN THIS DRAWING IS THE SOLE PROPERTY OF PHYLIRICH. ANY REPRODUCTION IN PART OR AS A WHOLE WITHOUT THE WRITTEN PERMISSION OF PHYLIRICH IS PROHIBITED.  
**DO NOT SCALE DRAWING**

SHOWER TRIM PLATE, DIVERTED, CROSS TUBULAR, BASIC

SIZE <b>A</b>	ASM/PRT NO. DPB2134TO/00	REV A
SCALE: 1:3	WEIGHT: lbs.	SHEET 1 OF 2



1261 LOGAN AVENUE  
COSTA MESA, CALIFORNIA 92626  
PHONE: 714.361.4800  
FAX: 714.617.3120

**PHYLIRICH**<sup>®</sup>  
Defining Luxury Since 1959

**PROPRIETARY AND CONFIDENTIAL**  
THE INFORMATION CONTAINED IN THIS DRAWING IS THE SOLE PROPERTY OF PHYLIRICH. ANY REPRODUCTION IN PART OR AS A WHOLE WITHOUT THE WRITTEN PERMISSION OF PHYLIRICH IS PROHIBITED.  
**DO NOT SCALE DRAWING**

SHOWER TRIM PLATE, DIVERTED, CROSS TUBULAR, BASIC

SIZE <b>A</b>	ASM/PRT NO. DPB2134TO/00	REV A
SCALE: 1:2	WEIGHT: lbs.	SHEET 2 OF 2