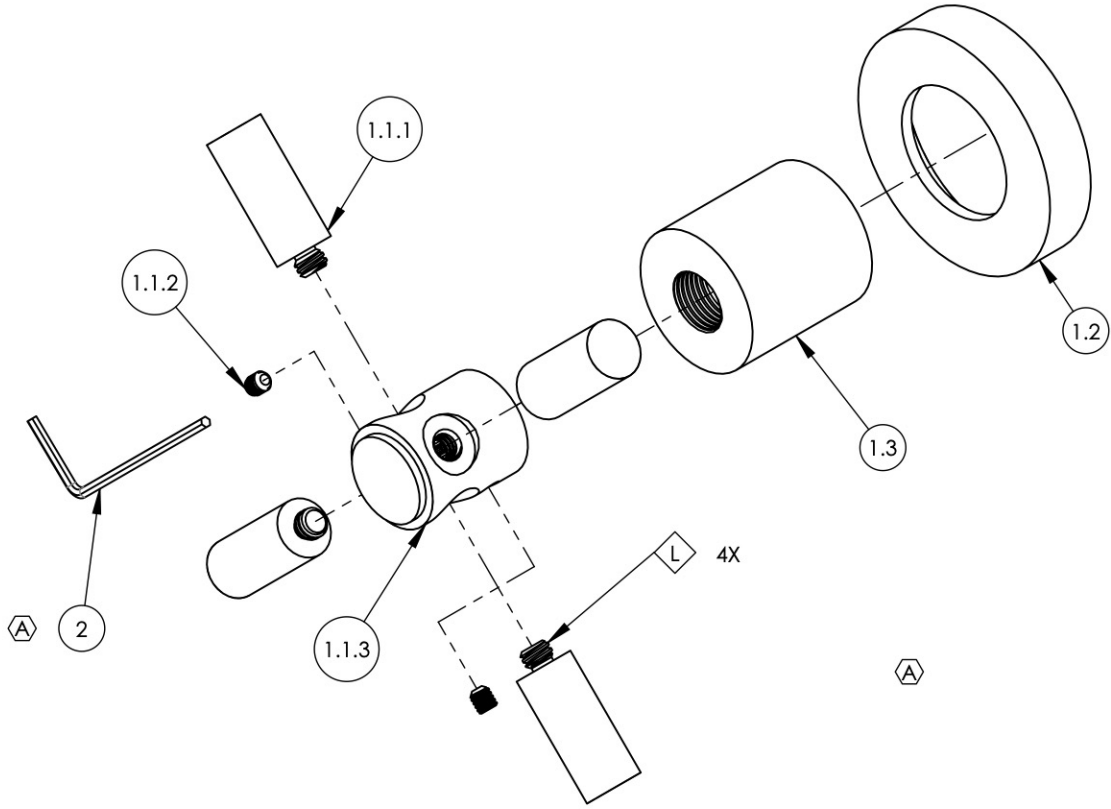


NOTE(S):  
 1. PART NUMBER, "/00" DENOTES PART SHALL HAVE FINISH.  
 2. APPLY NSF COMPLIANT GREASE TO ANY O-RING, SEALING JOINTS, AND/OR PIVOTAL POINTS.  
 3. APPLY NSF COMPLIANT LOCTITE TO THREADED AREA.  
 4. APPLY NSF COMPLIANT REMOVABLE (BLUE) LOCTITE TO THREADED AREA.  
 5. SILVER SOLDER JOINTS SHALL BE FULLY WETTED VIA CAPILLARY ACTION AND COMPLETELY NON-POROUS.

◇ G  
 ◇ L  
 ◇ B  
 ◇ S

| ITEM NO. | PART NUMBER | DESCRIPTION                              | QTY. |
|----------|-------------|--|------|
| 1        | 3-442/00    | ASSY, TUBULAR CROSS HANDLE, BASIC        | 1    |
| 1.1      | 3-439/00    | ASSY. CROSS HANDLE TUBULAR, BASIC SERIES | 1    |
| 1.1.1    | P01075/00   | LOBE, HANDLE CROSS BASIC                 | 4    |
| 1.1.2    | 92008       | SET SCREW, CUP POINT 8-32, 3/16" L.      | 2    |
| 1.1.3    | P01077/00   | STEM, CROSS HANDLE                       | 1    |
| 1.2      | P02035_2/00 | ESCUTCHEON, CONTEMPORARY                 | 1    |
| 1.3      | P02035_1/00 | HUB ESCUTCHEON, CONTEMPORARY TOP         | 1    |
| 2        | 92021       | HEX KEY 5/64, FOR 8-32 SET SCREW         | 1    |



| ALL       | A    | ADD HANDLE SUBASSEMBLY, UPDATE HEX KEY | 11/4/2021 | AMM      |
|-----------|------|--|-----------|----------|
| ZONE      | REV. | DESCRIPTION                            | DATE      | APPROVED |
| REVISIONS |      |  |           |          |

1261 LOGAN AVENUE  
 COSTA MESA, CALIFORNIA 92626  
 PHONE: 714.361.4800  
 FAX: 714.617.3120

**PHYLIRICH**<sup>®</sup>  
 Defining Luxury Since 1959

**PROPRIETARY AND CONFIDENTIAL**  
 THE INFORMATION CONTAINED IN THIS DRAWING IS THE SOLE PROPERTY OF PHYLIRICH. ANY REPRODUCTION IN PART OR AS A WHOLE WITHOUT THE WRITTEN PERMISSION OF PHYLIRICH IS PROHIBITED.  
**DO NOT SCALE DRAWING**

**SHOWER - VOLUME CONTROL/ DIVERTER TRIM, CROSS TUBULAR, BASIC, (131-35)**

|                  |                            |              |
|------------------|----------------------------|--------------|
| SIZE<br><b>A</b> | ASM/PRT NO.<br>D2PV134A/00 | REV<br>A     |
| SCALE: 1:1.5     | WEIGHT: lbs.               | SHEET 1 OF 2 |