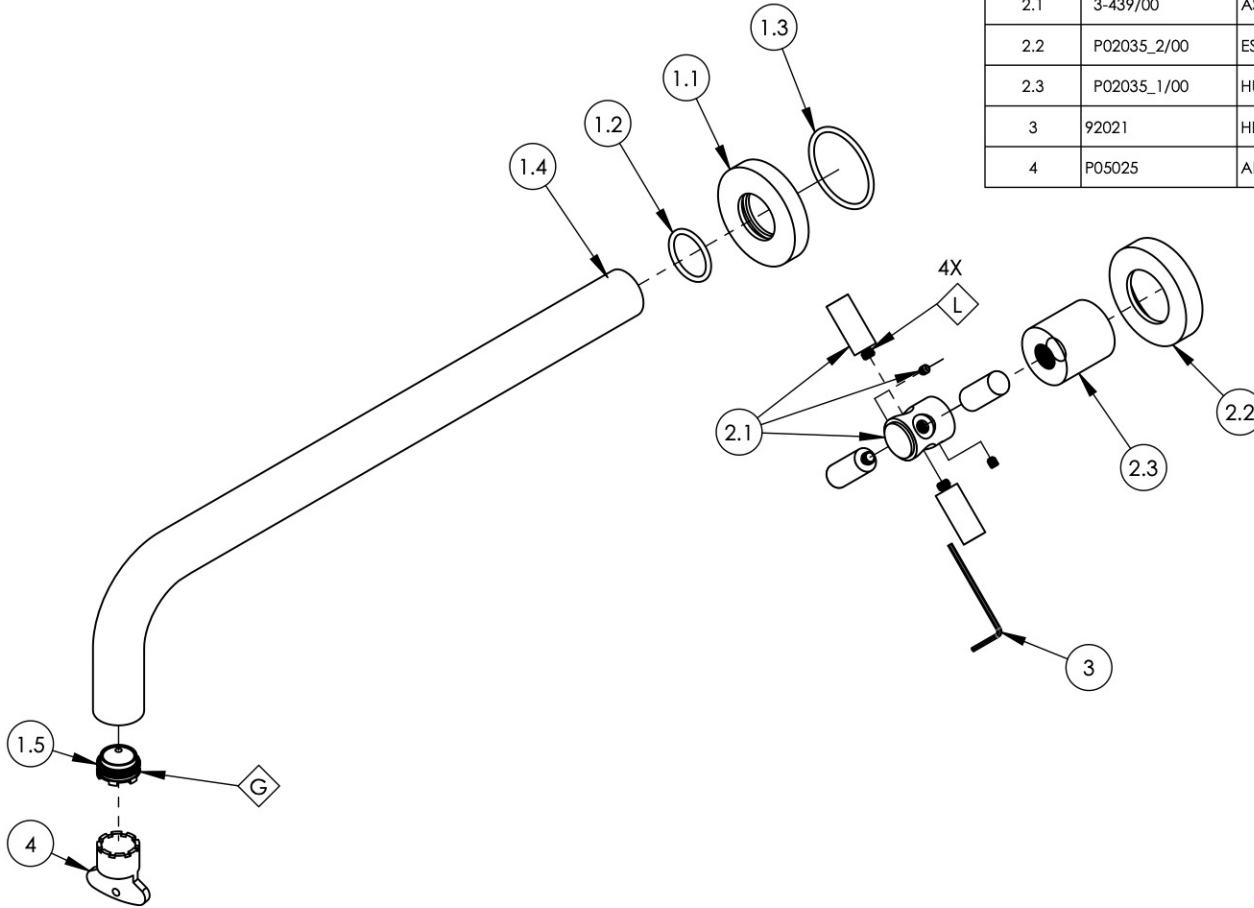


NOTE(S):

1. PART NUMBER, "/00" DENOTES PART SHALL HAVE FINISH.
2. APPLY NSF COMPLIANT GREASE TO ANY O-RING, SEALING JOINTS, AND/OR PIVOTAL POINTS.
3. APPLY NSF COMPLIANT LOCTITE TO THREADED AREA.
4. APPLY NSF COMPLIANT REMOVABLE (BLUE) LOCTITE TO THREADED AREA.
5. SILVER SOLDER JOINTS SHALL BE FULLY WETTED VIA CAPILLARY ACTION AND COMPLETELY NON-POROUS.



ITEM NO.	PART NUMBER	DESCRIPTION	QTY.
1	3-417/00	WALL LAV. SPOUT ONLY, 14" L, BASIC	1
1.1	P19017/00	ESCUTCHEON, FOR SPOUT	1
1.2	90119	O-RING, 15/16"ID X 1-1/8"OD X 3/32"THK, AS-568-119	1
1.3	90129	O-RING, 1-9/16"ID X 3/32THK, AS-568-129	1
1.4	10481/00	14" WALL LAV SPOUT, BASIC SERIES	1
1.5	11429	AERATOR CACHE JR, 1.2GPM, M21.5X1.0, 42.2260.450	1
2	3-442/00	ASSY, TUBULAR CROSS HANDLE, BASIC	1
2.1	3-439/00	ASSY. CROSS HANDLE TUBULAR, BASIC SERIES	1
2.2	P02035_2/00	ESCUTCHEON, CONTEMPORARY	1
2.3	P02035_1/00	HUB ESCUTCHEON, CONTEMPORARY TOP	1
3	92021	HEX KEY 5/64, FOR 8-32 SET SCREW	1
4	P05025	AERATOR, BASIC KEY, PLASTIC RED	1



ZONE	REV.	DESCRIPTION	DATE	APPROVED
REVISIONS				

1261 LOGAN AVENUE
COSTA MESA, CALIFORNIA 92626
PHONE: 714.361.4800
FAX: 714.617.3120

PHYLIRICH[®]
Defining Luxury Since 1959

PROPRIETARY AND CONFIDENTIAL
THE INFORMATION CONTAINED IN THIS DRAWING IS THE SOLE PROPERTY OF PHYLIRICH. ANY REPRODUCTION IN PART OR AS A WHOLE WITHOUT THE WRITTEN PERMISSION OF PHYLIRICH IS PROHIBITED.
DO NOT SCALE DRAWING

WALL LAV SET, SINGLE HANDLE, SPOUT,
14" L W/ CROSS TUBULAR, BASIC

SIZE A	ASM/PRT NO. 131-18/00	REV -
SCALE: 1:3.75	WEIGHT: lbs.	SHEET 1 OF 2