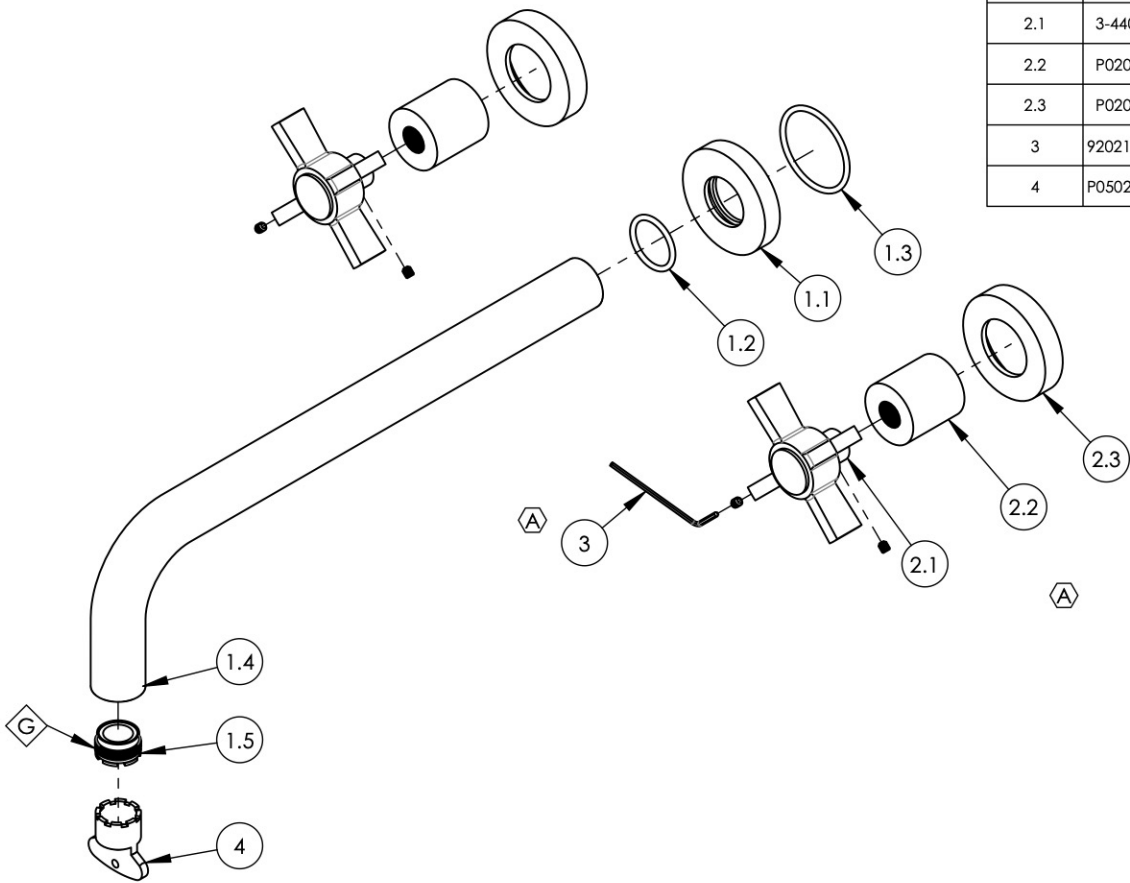


- NOTE(S):
- PART NUMBER, "/00" DENOTES PART SHALL HAVE FINISH.
  - APPLY NSF COMPLIANT GREASE TO ANY O-RING, SEALING JOINTS, AND/OR PIVOTAL POINTS.
  - APPLY NSF COMPLIANT LOCTITE TO THREADED AREA.
  - APPLY NSF COMPLIANT REMOVABLE (BLUE) LOCTITE TO THREADED AREA.
  - SILVER SOLDER JOINTS SHALL BE FULLY WETTED VIA CAPILLARY ACTION AND COMPLETELY NON-POROUS.



| ITEM NO. | PART NUMBER | DESCRIPTION  | QTY. |
|----------|-------------|--|------|
| 1        | 3-420/00    | WALL TUB, SPOUT ONLY, 12" L, BASIC                 | 1    |
| 1.1      | P19017/00   | ESCUTCHEON, FOR SPOUT                              | 1    |
| 1.2      | 90119       | O-RING, 15/16"ID X 1-1/8"OD X 3/32"THK, AS-568-119 | 1    |
| 1.3      | 90129       | O-RING, 1-9/16"ID X 3/32"THK, AS-568-129           | 1    |
| 1.4      | 10480/00    | 12" WALL LAV SPOUT, BASIC SERIES                   | 1    |
| 1.5      | P05024      | AERATOR CACHE COIN SLOT, M21.5X1.0 FULL FLOW       | 1    |
| 2        | 3-443/00    | ASSY, BLADE CROSS HANDLE, BASIC                    | 2    |
| 2.1      | 3-440/00    | ASSY. BLADE HANDLE, BASIC SERIES                   | 1    |
| 2.2      | P02035_1/00 | HUB ESCUTCHEON, CONTEMPORARY TOP                   | 1    |
| 2.3      | P02035_2/00 | ESCUTCHEON, CONTEMPORARY                           | 1    |
| 3        | 92021       | HEX KEY 5/64, FOR 8-32 SET SCREW                   | 1    |
| 4        | P05025      | AERATOR, BASIC KEY, PLASTIC RED                    | 1    |



| ZONE      | REV. | DESCRIPTION                      | DATE      | APPROVED |
|-----------|------|----------------------------------|-----------|----------|
| C4, C3    | A    | UPDATE HANDLE ASSEMBLY & HEX KEY | 11/1/2021 | AMM      |
| REVISIONS |      |                                  |           |          |

1261 LOGAN AVENUE  
COSTA MESA, CALIFORNIA 92626  
PHONE: 714.361.4800  
FAX: 714.617.3120

**PHYL RICH**<sup>®</sup>  
Defining Luxury Since 1959

**PROPRIETARY AND CONFIDENTIAL**  
THE INFORMATION CONTAINED IN THIS DRAWING IS THE SOLE PROPERTY OF PHYL RICH. ANY REPRODUCTION IN PART OR AS A WHOLE WITHOUT THE WRITTEN PERMISSION OF PHYL RICH IS PROHIBITED.  
**DO NOT SCALE DRAWING**

WALL TUB SET, SPOUT 12" L, CROSS BLADE, BASIC, (132-58)

|                  |                            |              |
|------------------|----------------------------|--------------|
| SIZE<br><b>A</b> | ASM/PRT NO.<br>D1137-12/00 | REV<br>A     |
| SCALE: 1:3.5     | WEIGHT: lbs.               | SHEET 1 OF 2 |