

NOTE(S):  
 1. PART NUMBER, "/00" DENOTES PART SHALL HAVE FINISH.

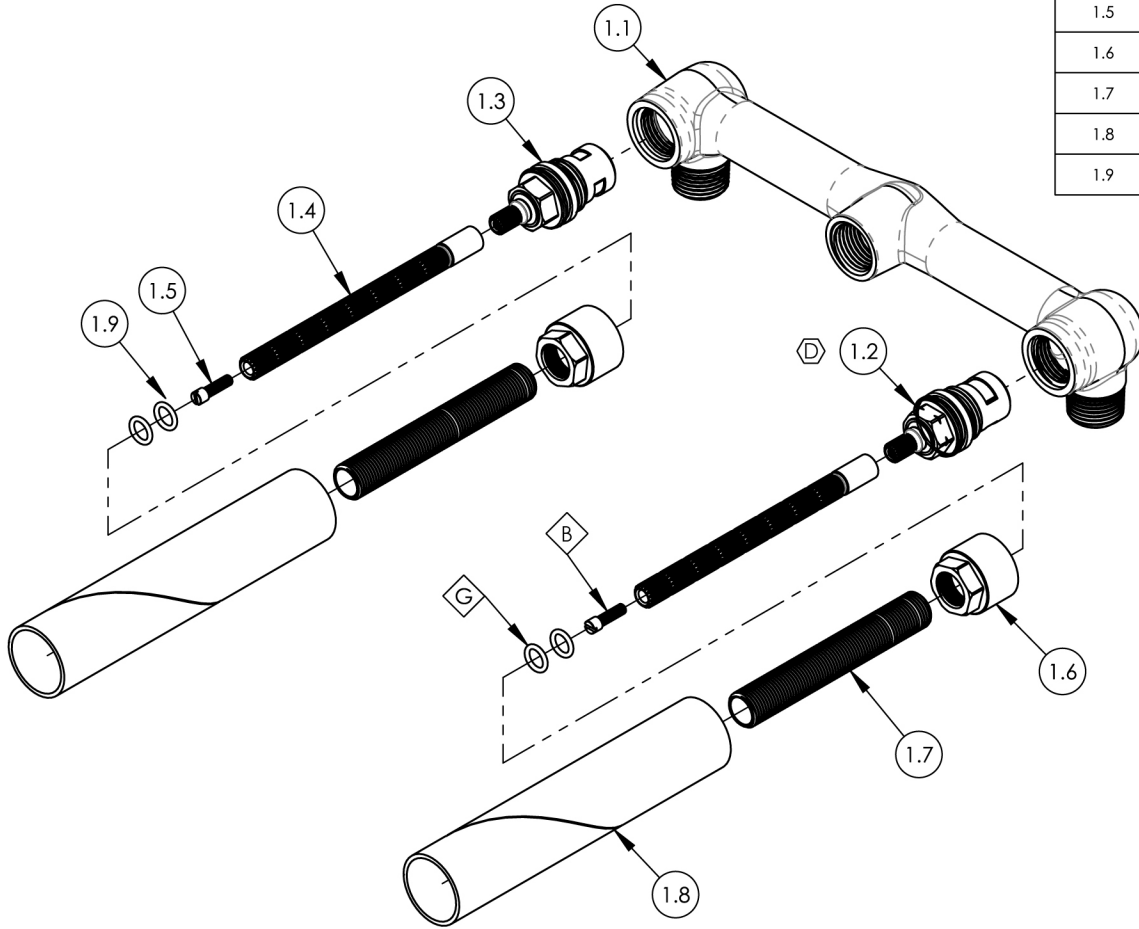
2. APPLY NSF COMPLIANT GREASE TO ANY O-RING, SEALING JOINTS, AND/OR PIVOTAL POINTS. G

3. APPLY NSF COMPLIANT LOCTITE TO THREADED AREA. L

4. APPLY NSF COMPLIANT REMOVABLE (BLUE) LOCTITE TO THREADED AREA. B

5. SILVER SOLDER JOINTS SHALL BE FULLY WETTED VIA CAPILLARY ACTION AND COMPLETELY NON-POROUS. S

ITEM NO.	PART NUMBER	DESCRIPTION	QTY.
1	1-047	INWALL LAV, TWO HANDLE G1/2" 16PT, NO LEAD	1
1.1	10106	VALVE BODY, LAV INWALL	1
1.2	11540	CARTRIDGE, 1/2"G 20PT COLD, HI-TRQ LLL, EXACTO	1
1.3	11541	CARTRIDGE, 1/2"G 20PT HOT, HI-TRQ LLL, EXACTO	1
1.4	10054	STEM EXTENSION, 6" LONG 20PT INT. TO 16PT LONG EXT. BROACH	2
1.5	92157	SCREW, SMALL HD M4X0.7 - 1/2"L	2
1.6	11321	CARTRIDGE RETAINER NUT	2
1.7	10209	SHANK, NIPPLE THREAD ALL 9/16"-20UN WITH .433"ID	2
1.8	11648	MUD GUARD, CARDBOARD, LONG	2
1.9	90011	O-RING, 5/16"ID X 1/16"THK, AS-568-011	4



ALL	D	UPDATED COMPONENT	2/19/2025	VA
ZONE	REV.	DESCRIPTION	DATE	APPROVED
REVISIONS				

1261 LOGAN AVENUE  
 COSTA MESA, CALIFORNIA 92626  
 PHONE: 714.361.4800  
 FAX: 714.617.3120

**PHYLIRICH**<sup>®</sup>  
 Defining Luxury Since 1959

PROPRIETARY AND CONFIDENTIAL  
 THE INFORMATION CONTAINED IN THIS DRAWING IS THE SOLE PROPERTY OF PHYLIRICH. ANY REPRODUCTION IN PART OR AS A WHOLE WITHOUT THE WRITTEN PERMISSION OF PHYLIRICH IS PROHIBITED.  
 DO NOT SCALE DRAWING

ASSY, WALL LAVATORY SET VALVE

SIZE	ASM/PRT NO.	REV
<b>A</b>	8090536RNL / 1-047	D
SCALE: 1:2.75	WEIGHT: lbs.	SHEET 1 OF 2