

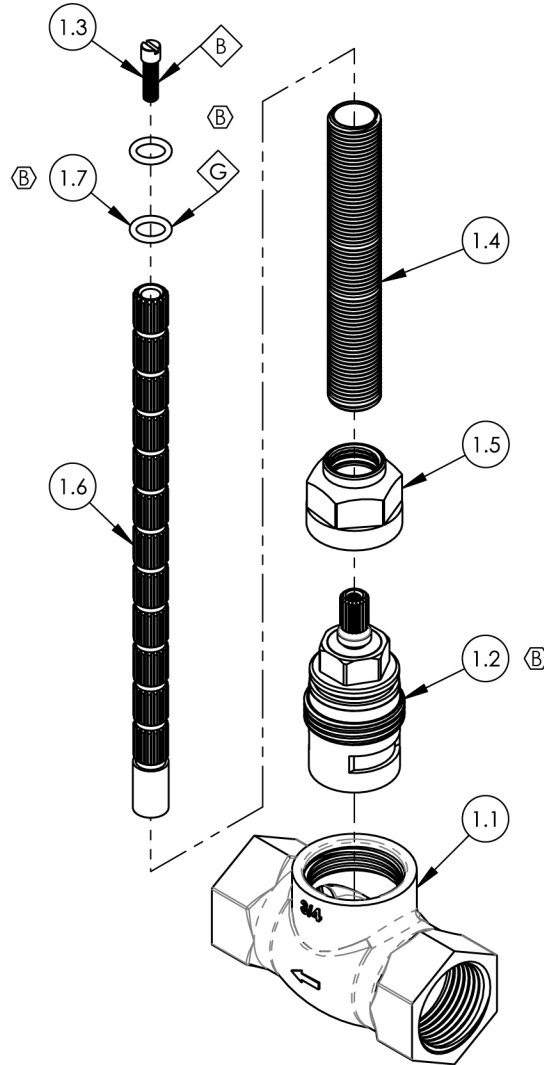
NOTE(S):
 1. PART NUMBER, "/00" DENOTES PART SHALL HAVE FINISH.

2. APPLY NSF COMPLIANT GREASE TO ANY O-RING, SEALING JOINTS, AND/OR PIVOTAL POINTS.

3. APPLY NSF COMPLIANT LOCTITE TO THREADED AREA.

4. APPLY NSF COMPLIANT REMOVABLE (BLUE) LOCTITE TO THREADED AREA.

5. SILVER SOLDER JOINTS SHALL BE FULLY WETTED VIA CAPILLARY ACTION AND COMPLETELY NON-POROUS.



ITEM NO.	PART NUMBER	DESCRIPTION	QTY.
1	1-056	VALVE, 3/4" IN-LINE STOP/ VOLUME CONTROL COLD	1
1.1	10652	BODY, SHUTOFF 3/4" FEMALE	1
1.2	11542	CARTRIDGE, 1/2" 20PT, COLD, HI-TRQ LLL, EXACTO	1
1.3	92157	SCREW, SMALL HD M4X0.7 - 1/2"L	1
1.4	10209	SHANK, NIPPLE THREAD ALL 9/16"-20UN WITH .433"ID	1
1.5	10058	NUT, ADAPTOR CART. TO THREADALL, M24X1.0 - 9/16"-20UN	1
1.6	11416	STEM EXTENSION, 20PT TO 16PT, XXL	1
1.7	90011	O-RING, 5/16"ID X 1/16"THK, AS-568-011	2

ALL	B	UPDATED COMPONENT, TITLE SHEET & ADDED O-RINGS, CALL OUTS	2/19/2025	VA
ZONE	REV.	DESCRIPTION	DATE	APPROVED
REVISIONS				

1261 LOGAN AVENUE
 COSTA MESA, CALIFORNIA 92626
 PHONE: 714.361.4800
 FAX: 714.617.3120

PHYL RICH[®]
 Defining Luxury Since 1959

PROPRIETARY AND CONFIDENTIAL
 THE INFORMATION CONTAINED IN THIS DRAWING IS THE SOLE PROPERTY OF PHYL RICH. ANY REPRODUCTION IN PART OR AS A WHOLE WITHOUT THE WRITTEN PERMISSION OF PHYL RICH IS PROHIBITED.
 DO NOT SCALE DRAWING

VALVE, 3/4" IN-LINE STOP/VOLUME CONTROL

SIZE A	ASM/PRT NO. 80002125	REV B
SCALE: 1:2	WEIGHT: lbs.	SHEET 1 OF 2