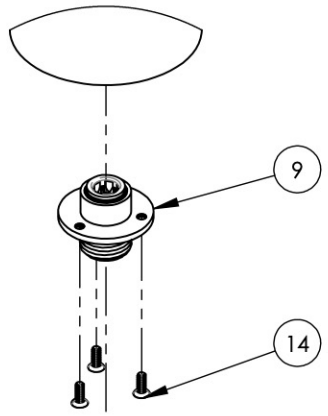
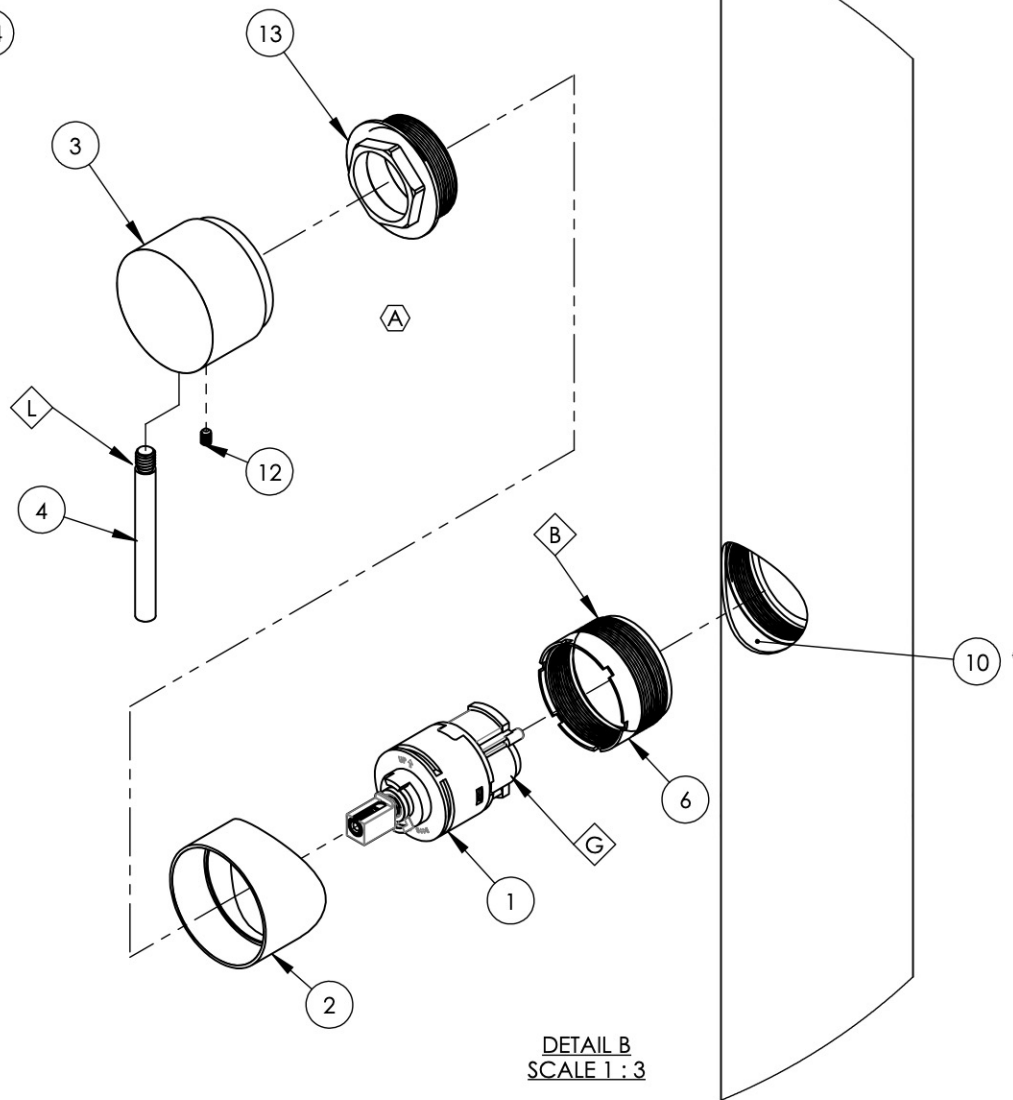


- NOTE(S):
1. APPLY NSF COMPLIANT GREASE TO ANY O-RING, SEALING JOINTS, AND/OR PIVOTAL POINTS.
 2. APPLY NSF COMPLIANT LOCTITE TO THREADED AREA.
 3. APPLY TEMPORARY (BLUE) LOCTITE TO THREADED AREA.
 4. TOOLS NEEDED-REQUIRED FOR ASSEMBLY:
 - A. ALLEN KEY SIZE, 1/16"
 - B. ALLEN KEY SIZE, 5/64"
 - C. ALLEN KEY SIZE, 3/16"
 - D. PHILLIPS HEAD SCREWDRIVER, NO.2 DRIVE
 - E. OPEN-END WRENCH, SIZE 5/8" [16]
 - F. PLUMBERS SOCKET, 1-11/32" SIZE
 - G. SPANNER WRENCH (SPECIAL)
 5. ITEM #10 SHALL BE PRE-ASSEMBLED AND INSTALLED VIA BOTTOM OF MAIN TUBE (#8), ENSURE HOLES ARE ALIGNED. SEE SUB-ASSEMBLY DRAWING FOR PARTS BREAKDOWN.
 6. ITEM #6 SHALL BE USED TO HOLD INTERNAL BODY IN POSITION.
 7. CUT EXCESS POLY TUBING FROM TOP SHOWERHEAD CONNECTION, ENSURE STRAIGHT CUT AND POLY TUBE IS PUSHED FULLY INTO #9 BEFORE INSTALLING SCREWS (#16).
 8. RECOMMENDED TORQUE SPECIFICATION FOR ITEM #15, PB CARTRIDGE (#2), SHALL BE 7.38 - 8.85 FT-LB [10-12 Nm].

G
L
B



DETAIL A
SCALE 1 : 3



DETAIL B
SCALE 1 : 3

ITEM NO.	PART NUMBER	DESCRIPTION	QTY.
1	11800	CARTRIDGE, PB W/ INTEGRATED DIVERTER 40MM, JL02BD-001	1
2	11831/00	COVER SLEEVE, PB ECONO, EXPOSED SHOWER	1
3	11832/00	HUB HANDLE, PB EXPOSED SHOWER, BASIC DOS GRANDE	1
4	11833/00	HANDLE, LEVER , PB EXPOSED SHOWER	1
5	11841/00	MAIN BASE ESCUTCHEON, EXPOSED SHOWER PB, 3INCHER	1
6	11844	SLEEVE, PRESSURE BALANCE, EXPOSED SHOWER	1
7	2-318	ASSY, MOUNTING BASE WITH HARDWARE, OUTDOOR SHOWER	1
8	2-319/00	MAIN TUBE, WELDED, OUTDOOR SHOWER, SINGLE FUNCTION	1
9	2-323	ASSY, SPEEDFIT TO SHOWERHEAD CONNECTION	1
10	2-324	BODY INTERNAL WITH HARDWARE, PB SINGLE FUNCTION	1
11	3-338/00	RAIN HEAD 8"	1
12	92162	SET SCREW, CUP PT. 8-32 UNC X 1/4"L	1
13	92420	NUT, 40MM PB CARTRIDGE	1
14	92428	SCREW, FLAT HD PHIL., 6-32 X 3/8"L	3

D

C

B

A

D

C

B

A

B3	A	REMOVED O'RINGS FROM BILL OF MATERIAL	10/21/2019	MAF
ZONE	REV.	DESCRIPTION	DATE	APPROVED
REVISIONS				
1261 LOGAN AVENUE COSTA MESA, CALIFORNIA 92626 PHONE: 714.361.4800 FAX: 714.617.3120		PROPRIETARY AND CONFIDENTIAL THE INFORMATION CONTAINED IN THIS DRAWING IS THE SOLE PROPERTY OF RSS MANUFACTURING. ANY REPRODUCTION IN PART OR AS A WHOLE WITHOUT THE WRITTEN PERMISSION OF RSS MANUFACTURING IS PROHIBITED.		

-	-	INTERPRET GEOMETRIC DIMENSIONING & TOLERANCING IN ACCORDANCE WITH ASME Y14.5-2009 & ASME Y14.41-2003 STANDARDS, UNLESS OTHERWISE SPECIFIED. DIMENSIONS ARE IN INCHES. TOLERANCES ARE:		
NEXT ASSY	USED ON	FRACTIONS ±1/64"	DECIMALS X.X: ±.1 X.XX: ±.01 X.XXX: ±.005	ANGULAR ±.5°
APPLICATION		DRAWN	NAME	DATE
MATERIAL		CHECKED	MAF	11/28/2018
FINISH		DO NOT SCALE DRAWING		

ASSY, EXPOSED SHOWER, PRESSURE BALANCE SHOWER		
SIZE	ASM/PRT NO.	REV
B	600/00	-
SCALE: 1:12	WEIGHT: lbs.	SHEET 1 OF 2