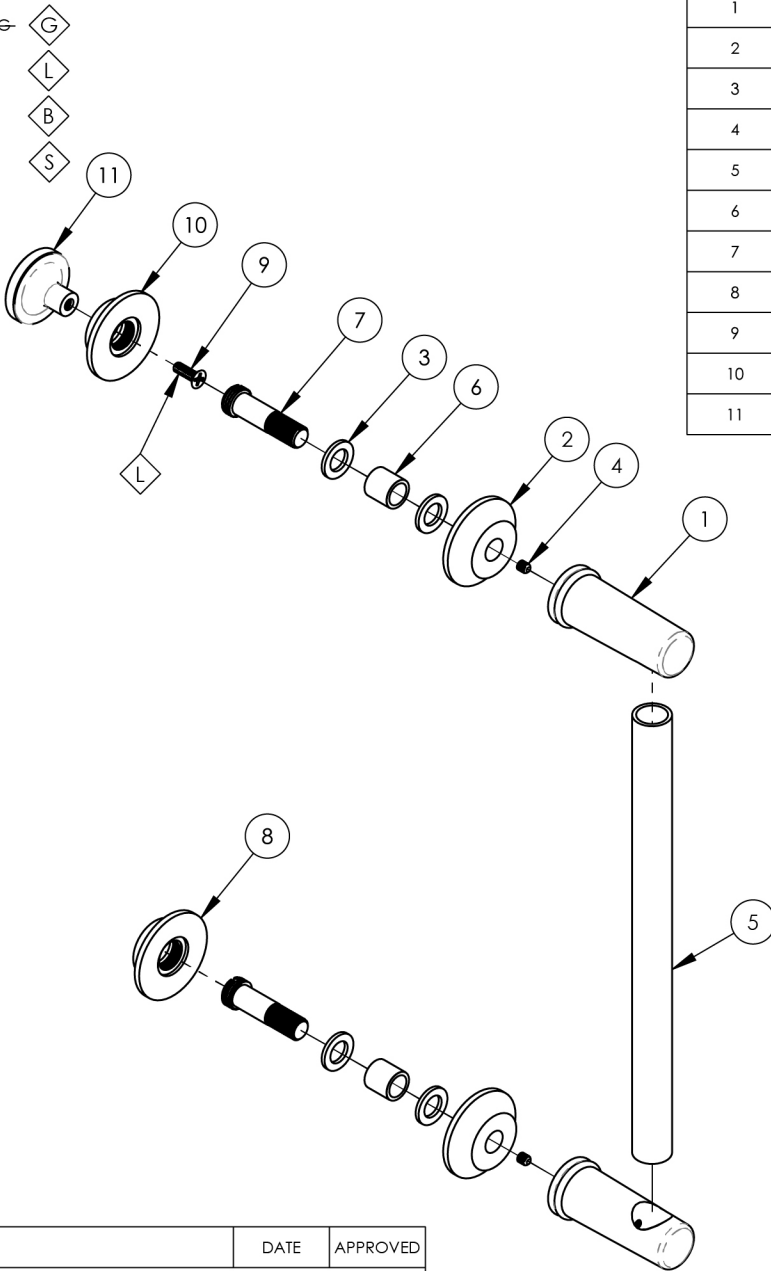


- NOTE(S):
 1. PART NUMBER, "/00" DENOTES PART SHALL HAVE FINISH.
 2. APPLY NSF COMPLIANT GREASE TO ANY O-RING, SEALING JOINTS, AND/OR PIVOTAL POINTS.
 3. APPLY NSF COMPLIANT LOCTITE TO THREADED AREA.
 4. APPLY NSF COMPLIANT REMOVABLE (BLUE) LOCTITE TO THREADED AREA.
 5. SILVER SOLDER JOINTS SHALL BE FULLY WETTED VIA CAPILLARY ACTION AND COMPLETELY NON-POROUS.



ITEM NO.	PART NUMBER	DESCRIPTION	QTY.
1	12445/00	POST, SHOWER DOOR PULL, THREADED, HEX MODERN	2
2	12447/00	ESCUTCHEON, SHOWER DOOR PULL, HEX MODERN	2
3	92366	WASHER, CLEAR PLASTIC, .384 ID X .640 OD	4
4	92008	SET SCREW, CUP POINT 8-32, 3/16" L.	2
5	12417/00	TUBE BAR, SHOWER DOOR PULL, ROUND, 8" C-C	1
6	30395	CLEAR TUBE, UV-RESISTANT PVC	2
7	30520/00	PIN THRU GLASS, ENDCAP SHOWER ENCLOSURE PULL	2
8	12713/00	DECORATIVE CAP, SINGLE SIDED SHOWER DOOR PULL	1
9	92160	SCREW, FLAT HD. 8-32 X 1/2"L	1
10	12714/00	DECORATIVE CAP, KNOB SIDE, SINGLE SIDED SHOWER DOOR PULL	1
11	50256/00	PULL KNOB, ROUND, HEX MODERN	1

ZONE	REV.	DESCRIPTION	DATE	APPROVED
------	------	-------------	------	----------

REVISIONS

1261 LOGAN AVENUE
 COSTA MESA, CALIFORNIA 92626
 PHONE: 714.361.4800
 FAX: 714.617.3120

PHYLIRICH[®]
 Defining Luxury Since 1959

PROPRIETARY AND CONFIDENTIAL
 THE INFORMATION CONTAINED IN THIS DRAWING IS THE SOLE PROPERTY OF PHYLIRICH. ANY REPRODUCTION IN PART OR AS A WHOLE WITHOUT THE WRITTEN PERMISSION OF PHYLIRICH IS PROHIBITED.
 DO NOT SCALE DRAWING

SHOWER DOOR PULL, SINGLE SIDED, 8",
 HEX MODERN

SIZE A	ASM/PRT NO. 501-92-08/00	REV
SCALE: 1:3	WEIGHT: lbs.	SHEET 1 OF 2