

5


4

3

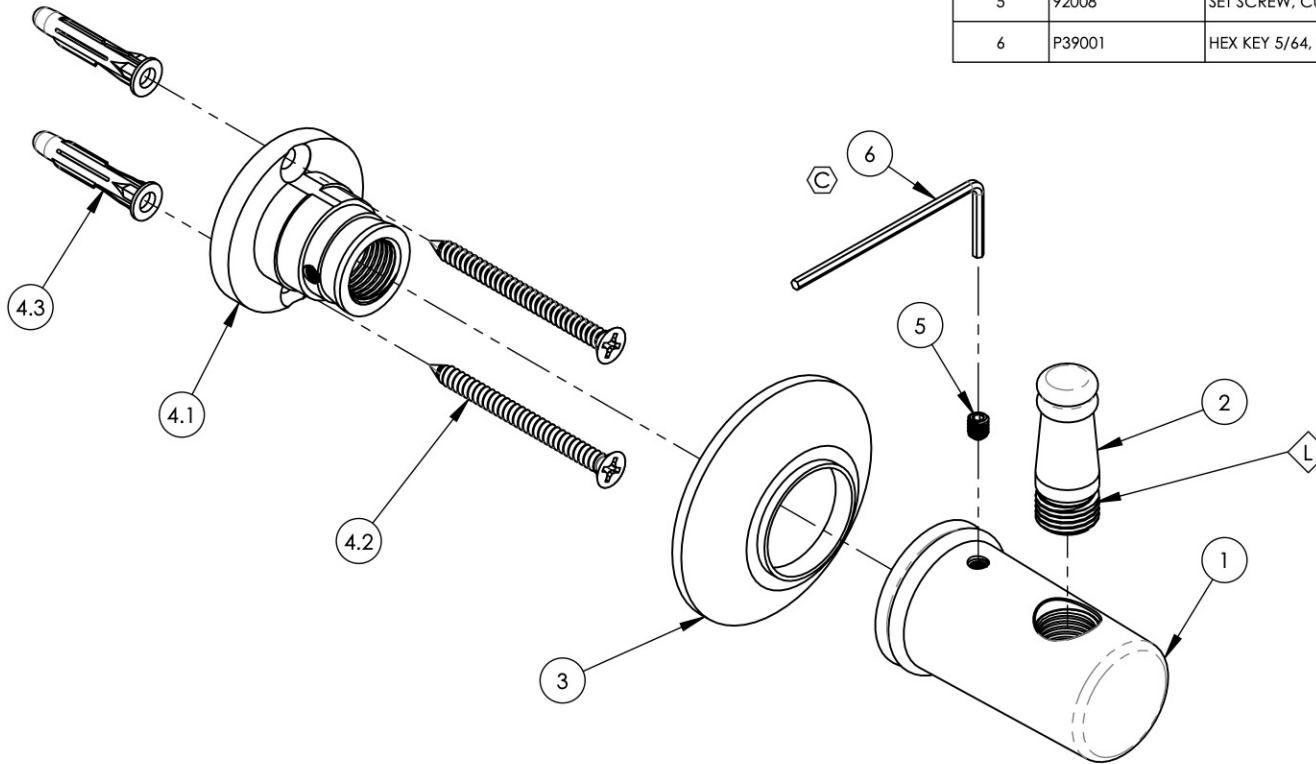
2

1

NOTE(S):

- 1. PART NUMBER, "/00" DENOTES PART SHALL HAVE FINISH.
- 2. APPLY NSF COMPLIANT LOCTITE TO THREADED AREA. 

ITEM NO.	PART NUMBER	DESCRIPTION	QTY.
1	11054/00	POST, ROBE HOOK HEX MODERN 501 SERIES	1
2	11058/00	ROBE HOOK, STEM, HEX MODERN, 501 SERIES	1
3	11732/00	ESCUTCHEON, TRANSITIONAL	1
4	2-103	MOUNTING KIT WITH ADJUSTABLE THREADED PIN	1
4.1	11050	MOUNTING KIT, WALL FLANGE	1
4.2	92234	SCREW FOR WOOD, PHIL. NO. 8 X 1-1/2"L	2
4.3	92235	ANCHOR FOR DRYWALL, TWIST-ACTION NO. 6-8 SIZE	2
5	92008	SET SCREW, CUP POINT 8-32, 3/16" L.	1
6	P39001	HEX KEY 5/64, FOR 8-32 SET SCREW	1



ALL	C	UPDATE TEMPLATE, DWG NAME, ADD HEX KEY	12/10/2019	AMM
ZONE	REV.	DESCRIPTION	DATE	APPROVED
REVISIONS				

1261 LOGAN AVENUE
COSTA MESA, CALIFORNIA 92626
PHONE: 714.361.4800
FAX: 714.617.3120

PHYL RICH[®]
Defining Luxury Since 1959

PROPRIETARY AND CONFIDENTIAL
THE INFORMATION CONTAINED IN THIS DRAWING IS THE SOLE PROPERTY OF PHYL RICH. ANY REPRODUCTION IN PART OR AS A WHOLE WITHOUT THE WRITTEN PERMISSION OF PHYL RICH IS PROHIBITED.

-	-	INTERPRET GEOMETRIC DIMENSIONING & TOLERANCING IN ACCORDANCE WITH ASME Y14.5-2009 & ASME Y14.41-2003 STANDARDS, UNLESS OTHERWISE SPECIFIED. DIMENSIONS ARE IN INCHES. TOLERANCES ARE:		
NEXT ASSY	USED ON	FRACTIONS ±1/16"	DECIMALS X.X: ±.1 X.XX: ±.01 X.XXX: ±.005	ANGULAR ±2°
APPLICATION		MATERIAL	NAME	DATE
FINISH		DRAWN	MAF	5/22/2014
DO NOT SCALE DRAWING		CHECKED		

ACCESSORIES, ROBE HOOK, HEX MODERN

SIZE	ASM/PRT NO.	REV
A	501-76/00	C
SCALE: 1:1.5	WEIGHT: lbs.	SHEET 1 OF 2

5

4

3

2

1