

501-46-04



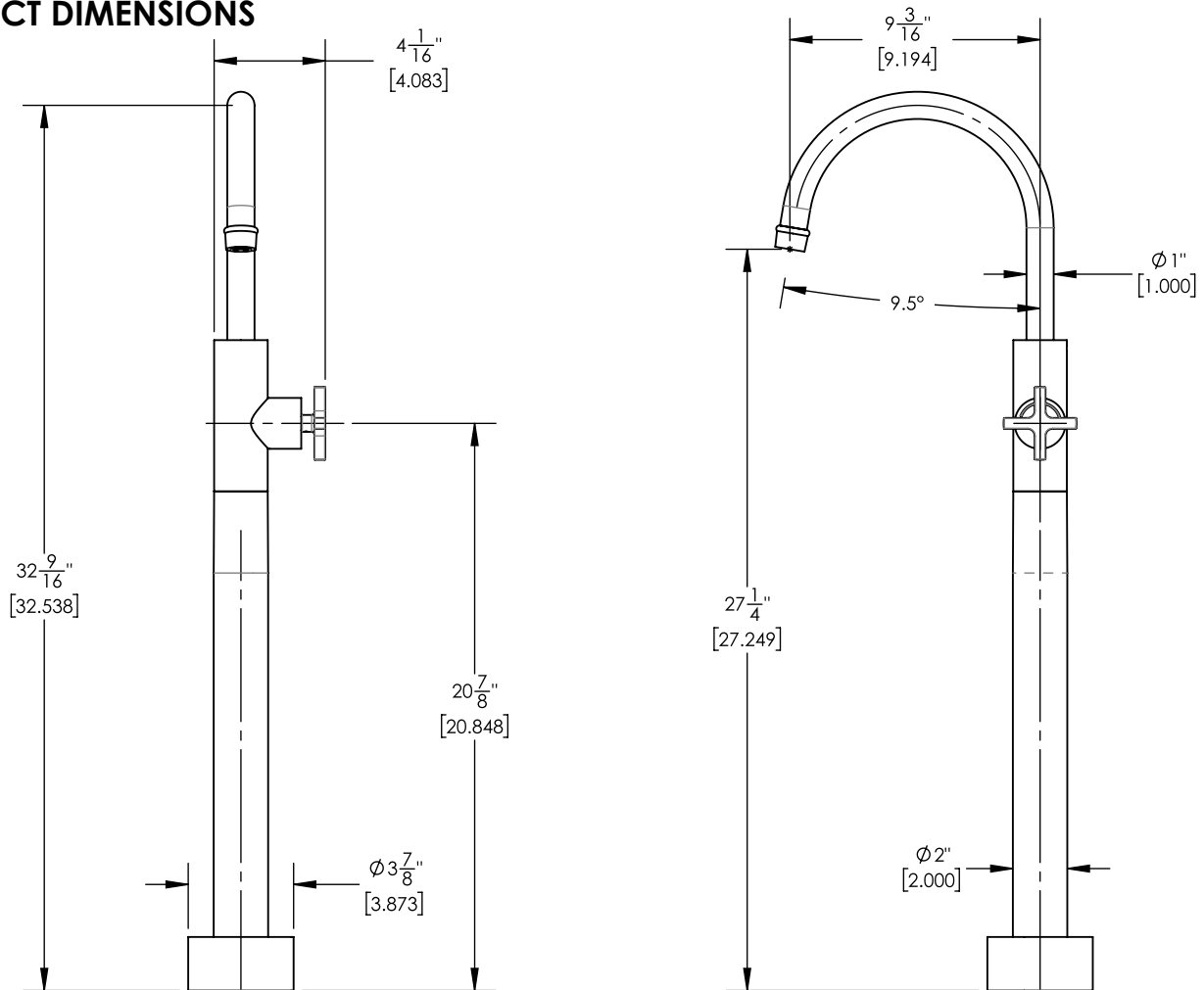
■ **PRODUCT FEATURES**

- Style: Traditional
- Collection: Hex Modern
- Temperature Controlled by Handle
- Integrated Diverter
- Cross Handle
- Short Version

■ **TECHNICAL DETAILS**

Spout Flow Rate: Full Flow  
 Spout Reach: 9 3/16"  
 Water Pressure Maximum: 85 PSI  
 Water Pressure Minimum: 20 PSI  
 Water Pressure Recommended: 60 PSI

■ **PRODUCT DIMENSIONS**



[www.phylrich.com](http://www.phylrich.com)

1261 Logan Avenue, Costa Mesa, California 92626.  
 Phone: 714.361.4800 Fax: 714.617.3120



**CODES & STANDARDS**

ASME A112.181/ CSA B1251, ASME 112.18.2/ CSA B125.2, ANSI NSF, CEC

**WARRANTY**

Mechanical Warranty: 10 Years from date of purchase.  
 Finish Warranty: See catalog for further information.

Rev-