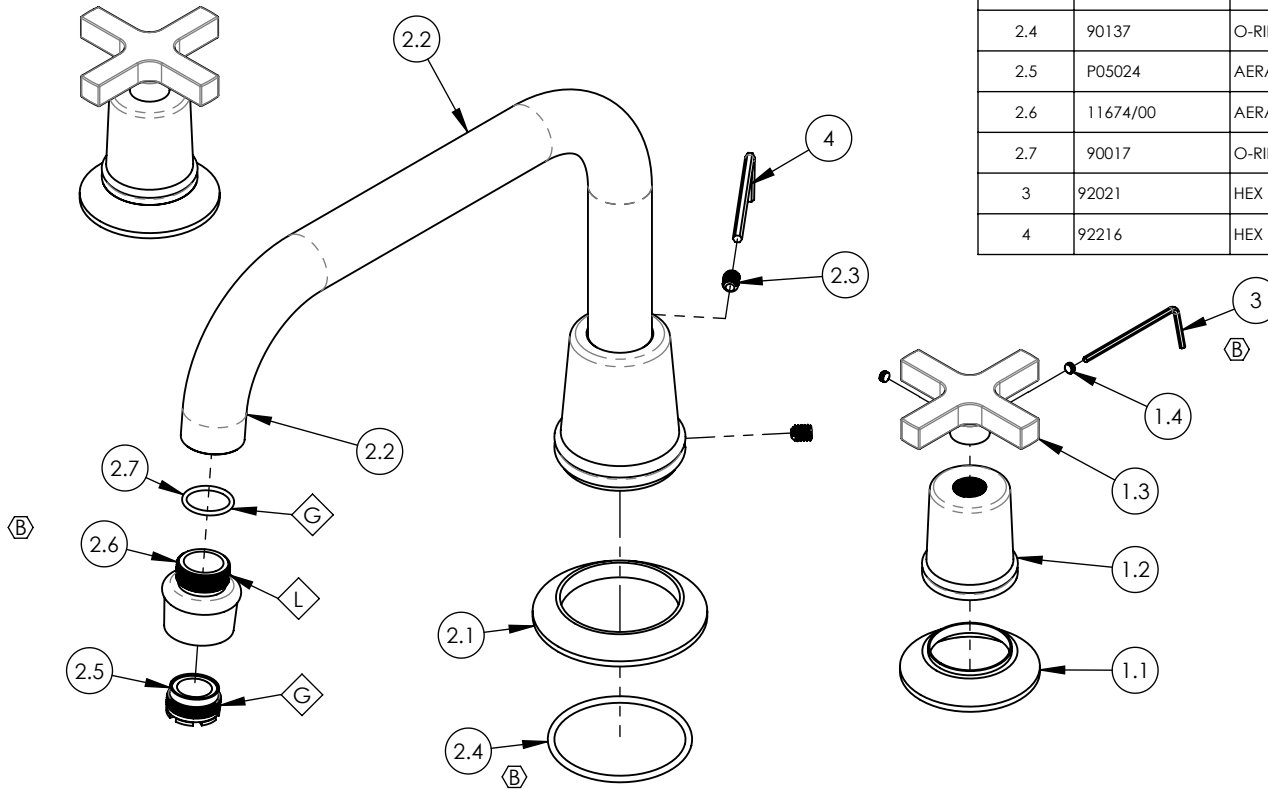


- NOTE(S):
1. PART NUMBER, "/00" DENOTES PART SHALL HAVE FINISH.
  2. APPLY NSF COMPLIANT GREASE TO ANY O-RING, SEALING JOINTS, AND/OR PIVOTAL POINTS.
  3. APPLY NSF COMPLIANT LOCTITE TO THREADED AREA.
  4. APPLY NSF COMPLIANT REMOVABLE (BLUE) LOCTITE TO THREADED AREA.
  5. SILVER SOLDER JOINTS SHALL BE FULLY WETTED VIA CAPILLARY ACTION AND COMPLETELY NON-POROUS.



ITEM NO.	PART NUMBER	DESCRIPTION	QTY.
1	3-132/00	CROSS HANDLE, HEX MODERN, 501 SERIES	2
1.1	10921/00	ESCUTCHEON, TRANSITIONAL	1
1.2	10922/00	HUB, FOR HEX TRANSITIONAL	1
1.3	10633/00	HANDLE CROSS, CONTEMPORARY 16PT	1
1.4	92163	SET SCREW, CUP PT 8-32 X 1/8"L	2
2	3-557/00	ASSY, DECK TUB, SQUARE SPOUT, HEX MODERN	1
2.1	11684/00	ESCUTCHEON RT, TRANS. HEX MODERN	1
2.2	2-283/00	ASSY, SQUARE SPOUT, ROMAN TUB, BRAZE, HEX MODERN	1
2.3	92127	SET SCREW, CUP PT, 1/4"-20 X 5/16"L, SS	2
2.4	90137	O-RING, 2-1/16"ID X 3/32"THK., AS-568-137	1
2.5	P05024	AERATOR CACHE COIN SLOT, M21.5X1.0 FULL FLOW	1
2.6	11674/00	AERATOR HOUSING, RT SPOUT, TRANS. HEX MODERN	1
2.7	90017	O-RING, 11/16"ID X 13/16"OD X 1/16"THK, AS-568-017	1
3	92021	HEX KEY 5/64, FOR 8-32 SET SCREW	1
4	92216	HEX L-KEY 1/8" HEX x 2-5/16"L	1



ALL	B	UPDATE HEX KEY, UPDATE O-RING & AERATOR ASSY ON SPOUT	11/16/2021	AMM
ZONE	REV.	DESCRIPTION	DATE	APPROVED
REVISIONS				

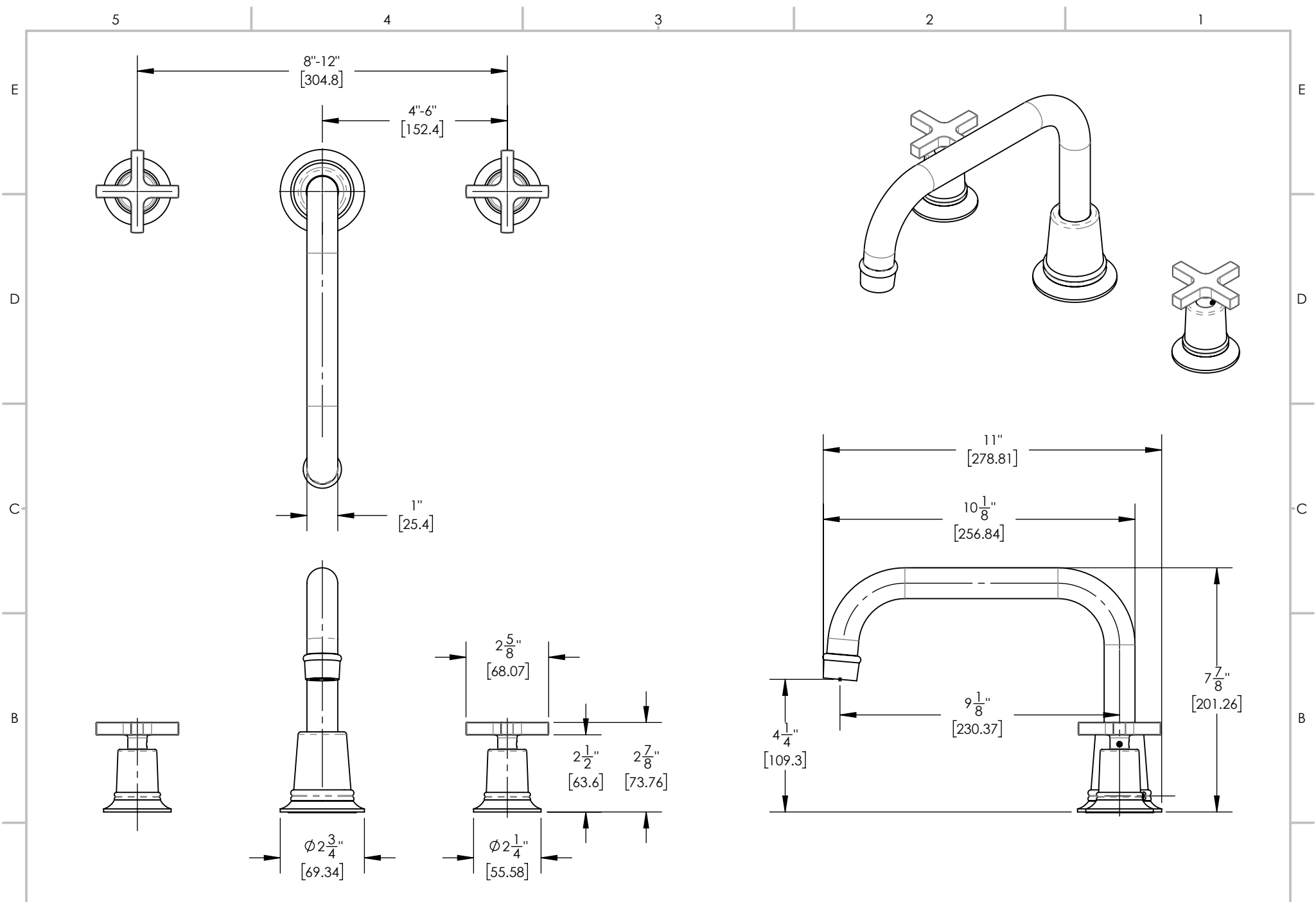
1261 LOGAN AVENUE  
COSTA MESA, CALIFORNIA 92626  
PHONE: 714.361.4800  
FAX: 714.617.3120

**PHYL RICH**<sup>®</sup>  
Defining Luxury Since 1959

**PROPRIETARY AND CONFIDENTIAL**  
THE INFORMATION CONTAINED IN THIS DRAWING IS THE SOLE PROPERTY OF PHYL RICH. ANY REPRODUCTION IN PART OR AS A WHOLE WITHOUT THE WRITTEN PERMISSION OF PHYL RICH IS PROHIBITED.  
**DO NOT SCALE DRAWING**

DECK TUB SET, STRAIGHT SPOUT W/  
CROSS, HEX MODERN

SIZE <b>A</b>	ASM/PRT NO. 501-44/00	REV B
SCALE: 1:3	WEIGHT: lbs.	SHEET 1 OF 2



1261 LOGAN AVENUE  
 COSTA MESA, CALIFORNIA 92626  
 PHONE: 714.361.4800  
 FAX: 714.617.3120

**PHYLIRICH**<sup>®</sup>  
 Defining Luxury Since 1959

**PROPRIETARY AND CONFIDENTIAL**  
 THE INFORMATION CONTAINED IN THIS DRAWING  
 IS THE SOLE PROPERTY OF PHYLIRICH. ANY  
 REPRODUCTION IN PART OR AS A WHOLE  
 WITHOUT THE WRITTEN PERMISSION OF PHYLIRICH  
 IS PROHIBITED.  
**DO NOT SCALE DRAWING**

DECK TUB SET, STRAIGHT SPOUT W/  
 CROSS, HEX MODERN

SIZE <b>A</b>	ASM/PRT NO. 501-44/00	REV B
SCALE: 1:4	WEIGHT: lbs.	SHEET 2 OF 2