

NOTE(S):  
 1. PART NUMBER, "/00" DENOTES PART SHALL HAVE FINISH.

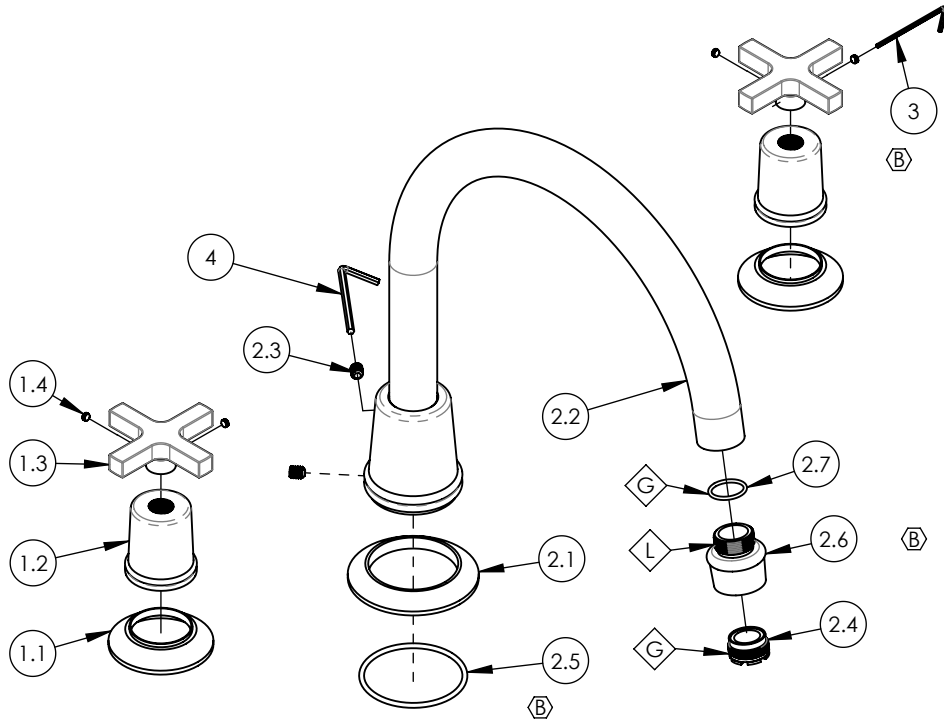
2. APPLY NSF COMPLIANT GREASE TO ANY O-RING, SEALING JOINTS, AND/OR PIVOTAL POINTS. G

3. APPLY NSF COMPLIANT LOCTITE TO THREADED AREA. L

4. APPLY NSF COMPLIANT REMOVABLE (BLUE) LOCTITE TO THREADED AREA. B

5. SILVER SOLDER JOINTS SHALL BE FULLY WETTED VIA CAPILLARY ACTION AND COMPLETELY NON-POROUS. S

ITEM NO.	PART NUMBER	DESCRIPTION	QTY.
1	3-132/00	CROSS HANDLE, HEX MODERN, 501 SERIES	2
1.1	10921/00	ESCUTCHEON, TRANSITIONAL	1
1.2	10922/00	HUB, FOR HEX TRANSITIONAL	1
1.3	10633/00	HANDLE CROSS, CONTEMPORARY 16PT	1
1.4	92163	SET SCREW, CUP PT 8-32 X 1/8"L	2
2	3-556/00	ASSY, DECK TUB, LARGE ARC SPOUT	1
2.1	11684/00	ESCUTCHEON RT, TRANS. HEX MODERN	1
2.2	2-281/00	ASSY, ARC SPOUT, ROMAN TUB, BRAZE, HEX MODERN	1
2.3	92127	SET SCREW, CUP PT, 1/4"-20 X 5/16"L, SS	2
2.4	P05024	AERATOR CACHE COIN SLOT, M21.5X1.0 FULL FLOW	1
2.5	90137	O-RING, 2-1/16"ID X 3/32"THK., AS-568-137	1
2.6	11674/00	AERATOR HOUSING, RT SPOUT, TRANS. HEX MODERN	1
2.7	90017	O-RING, 11/16"ID X 13/16"OD X 1/16"THK, AS-568-017	1
3	92021	HEX KEY 5/64, FOR 8-32 SET SCREW	1
4	92216	HEX L-KEY 1/8" HEX x 2-5/16"L	1



ZONE	REV.	DESCRIPTION	DATE	APPROVED
B4, B3	B	UPDATE HEX KEY, ADD O-RING AND UPDATE AERATOR ASSY ON SPOUT	11/16/2021	AMM
REVISIONS				

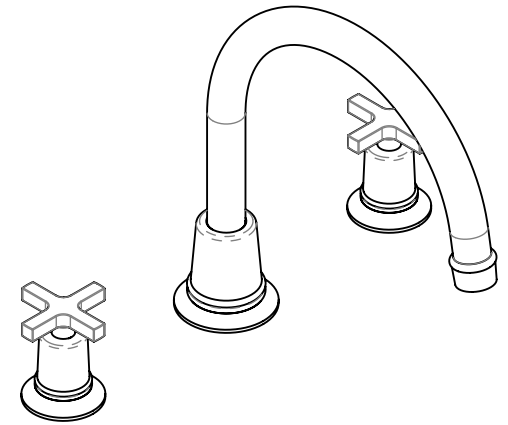
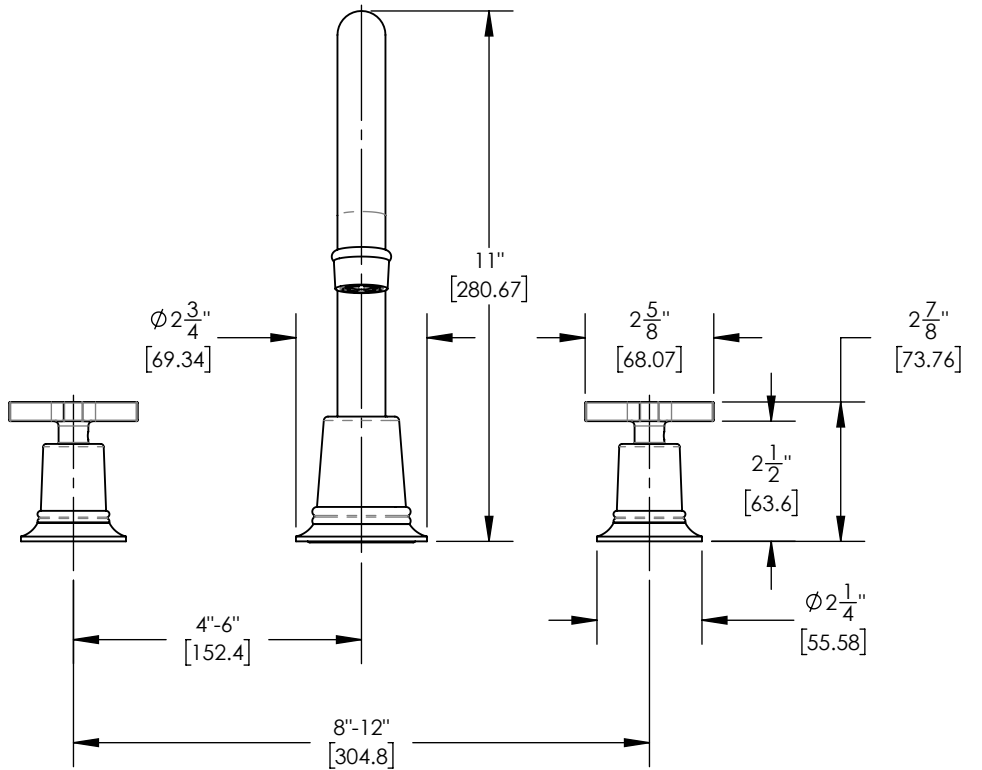
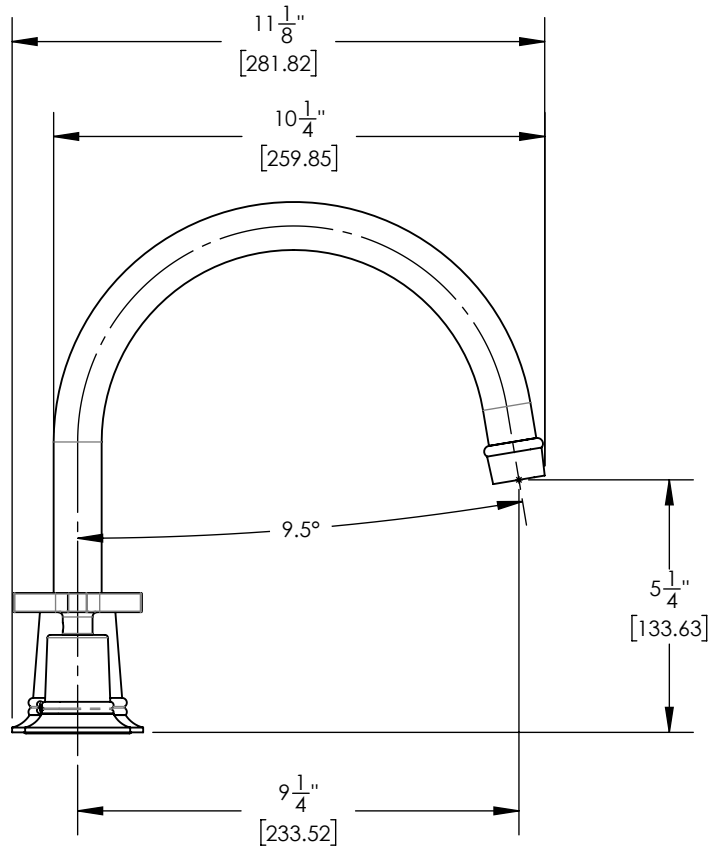
1261 LOGAN AVENUE  
 COSTA MESA, CALIFORNIA 92626  
 PHONE: 714.361.4800  
 FAX: 714.617.3120

**PHYLIRICH**<sup>®</sup>  
 Defining Luxury Since 1959

**PROPRIETARY AND CONFIDENTIAL**  
 THE INFORMATION CONTAINED IN THIS DRAWING IS THE SOLE PROPERTY OF PHYLIRICH. ANY REPRODUCTION IN PART OR AS A WHOLE WITHOUT THE WRITTEN PERMISSION OF PHYLIRICH IS PROHIBITED.  
**DO NOT SCALE DRAWING**

DECK TUB SET, ARCH SPOUT W/ CROSS,  
 HEX MODERN

SIZE	ASM/PRT NO.	REV
<b>A</b>	501-42/00	<b>B</b>
SCALE: 1:4	WEIGHT: lbs.	SHEET 1 OF 2



1261 LOGAN AVENUE  
 COSTA MESA, CALIFORNIA 92626  
 PHONE: 714.361.4800  
 FAX: 714.617.3120

**PHYLIRICH**<sup>®</sup>  
 Defining Luxury Since 1959

**PROPRIETARY AND CONFIDENTIAL**  
 THE INFORMATION CONTAINED IN THIS DRAWING  
 IS THE SOLE PROPERTY OF PHYLIRICH. ANY  
 REPRODUCTION IN PART OR AS A WHOLE  
 WITHOUT THE WRITTEN PERMISSION OF PHYLIRICH  
 IS PROHIBITED.  
**DO NOT SCALE DRAWING**

**DECK TUB SET, ARCH SPOUT W/ CROSS,  
 HEX MODERN**

SIZE <b>A</b>	ASM/PRT NO. 501-42/00	REV B
SCALE: 1:4	WEIGHT: lbs.	SHEET 2 OF 2