

5

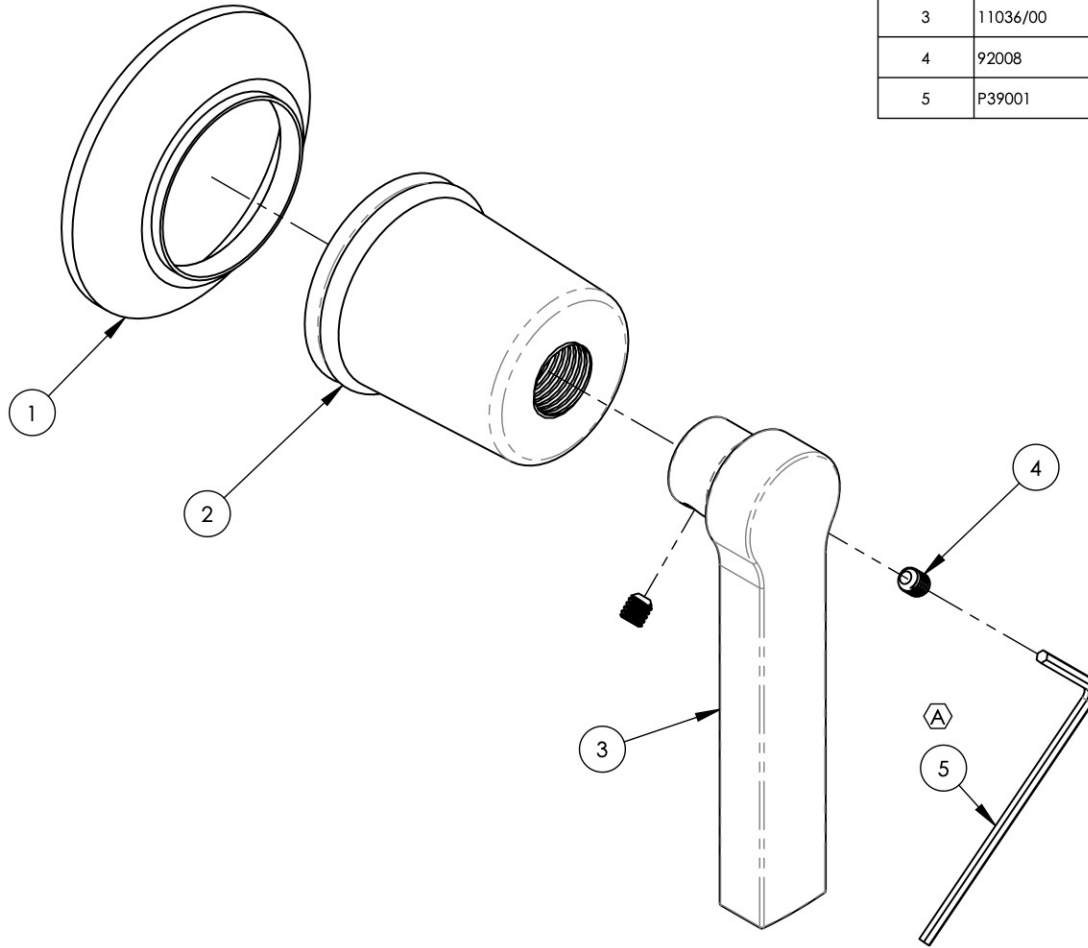
4

3

2

1

ITEM NO.	PART NUMBER	DESCRIPTION	QTY.
1	10921/00	ESCUTCHEON, TRANSITIONAL	1
2	10922/00	HUB, FOR HEX TRANSITIONAL	1
3	11036/00	HANDLE LEVER, CONTEMPORARY 16PT	1
4	92008	SET SCREW, CUP POINT 8-32, 3/16" L.	2
5	P39001	HEX KEY 5/64, FOR 8-32 SET SCREW	1



ZONE	REV.	DESCRIPTION	DATE	APPROVED
B2, A1	A	UPDATE DWG NAME, ADD HEX KEY, ROTATE VIEW	12/3/2019	AMM
REVISIONS				

1261 LOGAN AVENUE  
COSTA MESA, CALIFORNIA 92626  
PHONE: 714.361.4800  
FAX: 714.617.3120

**PHYLIRICH**<sup>®</sup>  
Defining Luxury Since 1959

**PROPRIETARY AND CONFIDENTIAL**

THE INFORMATION CONTAINED IN THIS DRAWING IS THE SOLE PROPERTY OF PHYLIRICH. ANY REPRODUCTION IN PART OR AS A WHOLE WITHOUT THE WRITTEN PERMISSION OF PHYLIRICH IS PROHIBITED.

-	-	INTERPRET GEOMETRIC DIMENSIONING & TOLERANCING IN ACCORDANCE WITH ASME Y14.5-2009 & ASME Y14.41-2003 STANDARDS, UNLESS OTHERWISE SPECIFIED. DIMENSIONS ARE IN INCHES. TOLERANCES ARE:		
NEXT ASSY	USED ON	<b>FRACTIONS</b>	<b>DECIMALS</b>	<b>ANGULAR</b>
APPLICATION		±1/16"	X.X: ±.1	±2°
MATERIAL			X.XX: ±.01	
FINISH			X.XXX: ±.005	
<b>DO NOT SCALE DRAWING</b>		NAME	DATE	
		DRAWN	LLO	11/4/2014
		CHECKED	GRE	

SHOWER ITEM, VOLUME CONTROL/  
DIVERTER, LEVER, HEX MODERN

SIZE	ASM/PRT NO.	REV
<b>A</b>	501-36/00	A

SCALE: 1:1.25    WEIGHT: lbs.    SHEET 1 OF 2

5

4

3

2

1