

NOTE(S):
 1. PART NUMBER, "/00" DENOTES PART SHALL HAVE FINISH.

2. APPLY NSF COMPLIANT GREASE TO ANY O-RING, SEALING JOINTS, AND/OR PIVOTAL POINTS.

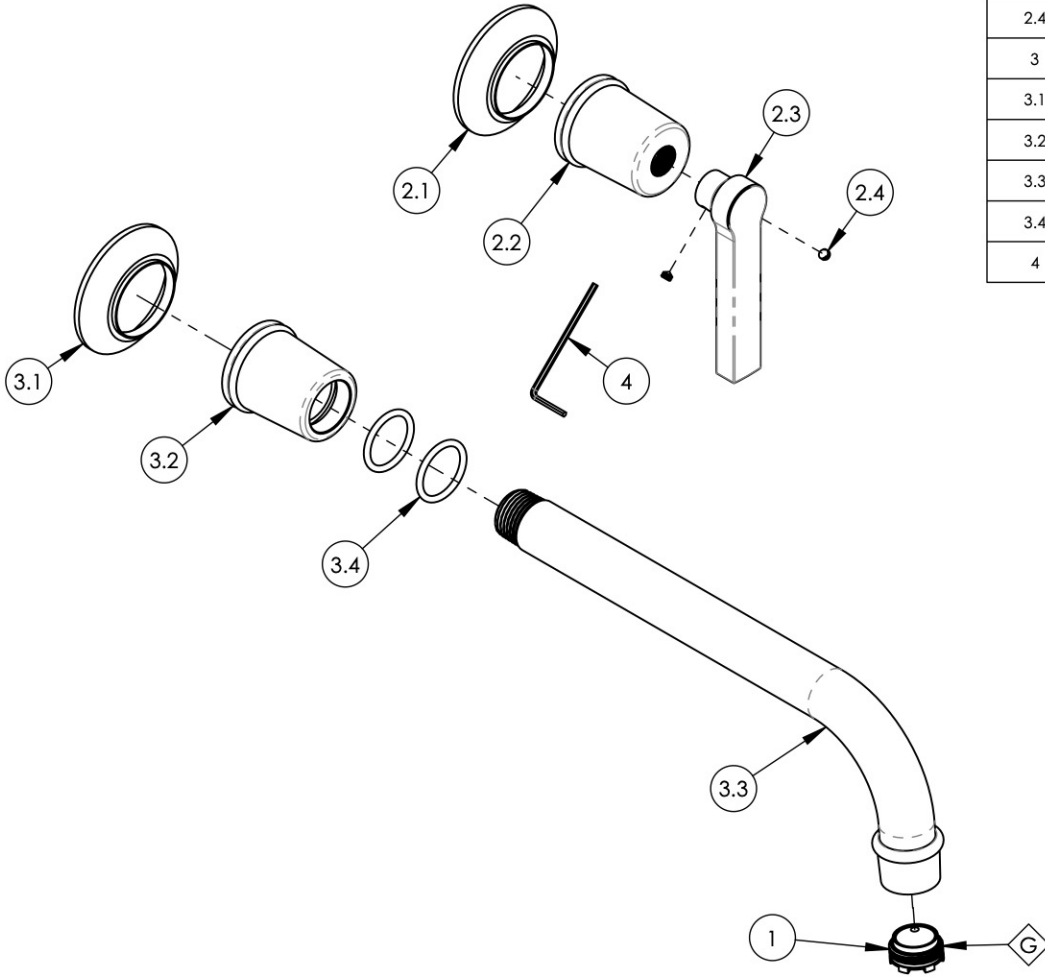
3. APPLY NSF COMPLIANT LOCTITE TO THREADED AREA:

4. APPLY NSF COMPLIANT REMOVABLE (BLUE) LOCTITE TO THREADED AREA:

5. SILVER SOLDER JOINTS SHALL BE FULLY WETTED VIA CAPILLARY ACTION AND COMPLETELY NON-POROUS.



ITEM NO.	PART NUMBER	DESCRIPTION	QTY.
1	11429	AERATOR CACHE JR, 1.2GPM, M21.5X1.0, 42.2260.450	1
2	3-133/00	LEVER HANDLE, HEX MODERN, 501 SERIES	1
2.1	10921/00	ESCUTCHEON, TRANSITIONAL	1
2.2	10922/00	HUB, FOR HEX TRANSITIONAL	1
2.3	11036/00	HANDLE LEVER, CONTEMPORARY 16PT	1
2.4	92163	SET SCREW, CUP PT 8-32 X 1/8"L	2
3	3-555/00	ASSY, WALL SPOUT, HEX MODERN	1
3.1	10921/00	ESCUTCHEON, TRANSITIONAL	1
3.2	11562/00	HUB WALL SPOUT, HEX MOD. TRANS.	1
3.3	2-282/00	ASSY, WALL SPOUT, BRAZE, HEX MODERN	1
3.4	90118	O-RING, 7/8"ID X 1-1/16"OD X 3/32"THK, AS-568-118	2
4	92021	HEX KEY 5/64, FOR 8-32 SET SCREW	1



ZONE	REV.	DESCRIPTION	DATE	APPROVED
REVISIONS				

1261 LOGAN AVENUE
 COSTA MESA, CALIFORNIA 92626
 PHONE: 714.361.4800
 FAX: 714.617.3120

PHYLIRICH[®]
 Defining Luxury Since 1959

PROPRIETARY AND CONFIDENTIAL
 THE INFORMATION CONTAINED IN THIS DRAWING IS THE SOLE PROPERTY OF PHYLIRICH. ANY REPRODUCTION IN PART OR AS A WHOLE WITHOUT THE WRITTEN PERMISSION OF PHYLIRICH IS PROHIBITED.
DO NOT SCALE DRAWING

WALL LAV SET, SINGLE HANDLE, TUBE SPOUT 8-1/4" W/ LEVER, HEX MODERN

SIZE A	ASM/PRT NO. 501-18/00	REV -
SCALE: 1:3	WEIGHT: lbs.	SHEET 1 OF 2