

NOTE(S):  
 1. PART NUMBER, "/00" DENOTES PART SHALL HAVE FINISH.

2. APPLY NSF COMPLIANT GREASE TO ANY O-RING, SEALING JOINTS, AND/OR PIVOTAL POINTS.

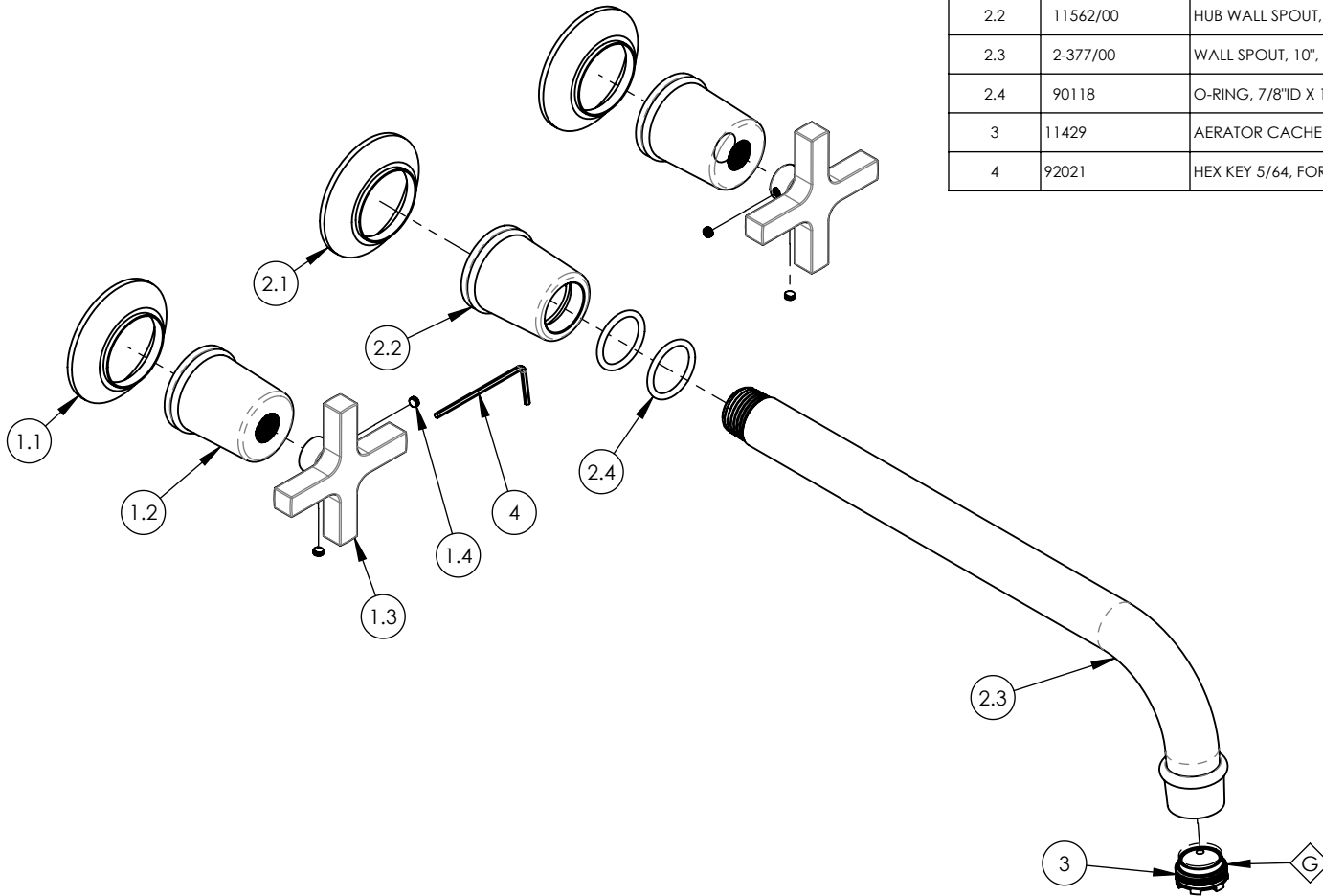
3. APPLY NSF COMPLIANT LOCTITE TO THREADED AREA.

4. APPLY NSF COMPLIANT REMOVABLE (BLUE) LOCTITE TO THREADED AREA.

5. SILVER SOLDER JOINTS SHALL BE FULLY WETTED VIA CAPILLARY ACTION AND COMPLETELY NON-POROUS.



ITEM NO.	PART NUMBER	DESCRIPTION	QTY.
1	3-132/00	CROSS HANDLE, HEX MODERN, 501 SERIES	2
1.1	10921/00	ESCUTCHEON, TRANSITIONAL	1
1.2	10922/00	HUB, FOR HEX TRANSITIONAL	1
1.3	10633/00	HANDLE CROSS, CONTEMPORARY 16PT	1
1.4	92163	SET SCREW, CONE PT 8-32 X 1/8"L	2
2	3-728/00	WALL SPOUT, 10", HEX MODERN	1
2.1	10921/00	ESCUTCHEON, TRANSITIONAL	1
2.2	11562/00	HUB WALL SPOUT, HEX MOD. TRANS.	1
2.3	2-377/00	WALL SPOUT, 10", BRAZE, HEX MODERN	1
2.4	90118	O-RING, 7/8"ID X 1-1/16"OD X 3/32"THK, AS-568-118	2
3	11429	AERATOR CACHE JR, 1.2GPM, M21.5X1.0, 42.2260.450	1
4	92021	HEX KEY 5/64, FOR 8-32 SET SCREW	1



ZONE	REV.	DESCRIPTION	DATE	APPROVED
REVISIONS				

1261 LOGAN AVENUE  
 COSTA MESA, CALIFORNIA 92626  
 PHONE: 714.361.4800  
 FAX: 714.617.3120

**PHYLIRICH**<sup>®</sup>  
 Defining Luxury Since 1959

**PROPRIETARY AND CONFIDENTIAL**  
 THE INFORMATION CONTAINED IN THIS DRAWING IS THE SOLE PROPERTY OF PHYLIRICH. ANY REPRODUCTION IN PART OR AS A WHOLE WITHOUT THE WRITTEN PERMISSION OF PHYLIRICH IS PROHIBITED.  
**DO NOT SCALE DRAWING**

WALL LAV SET, TUBE SPOUT W/ CROSS HANDLES, 10" L, HEX MODERN

SIZE <b>A</b>	ASM/PRT NO. 501-13-10/00	REV -
SCALE: 1:3	WEIGHT: lbs.	SHEET 1 OF 2

5

4

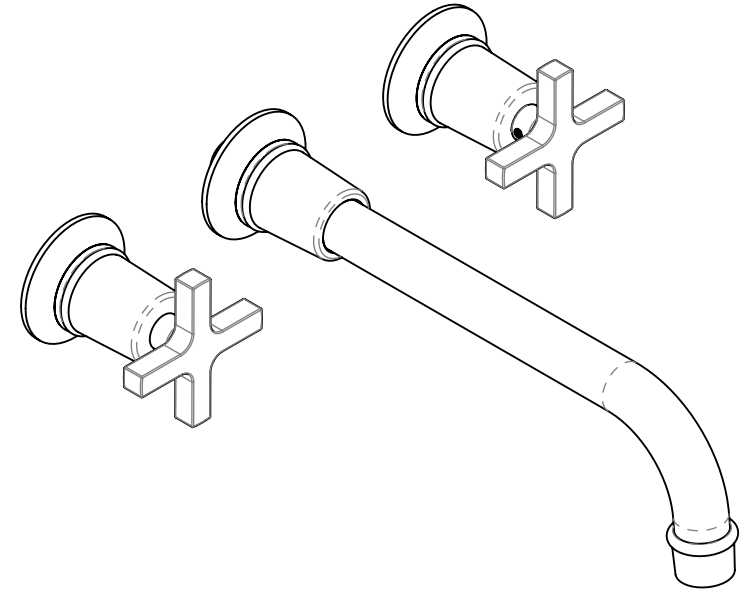
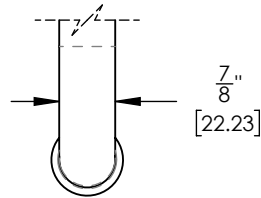
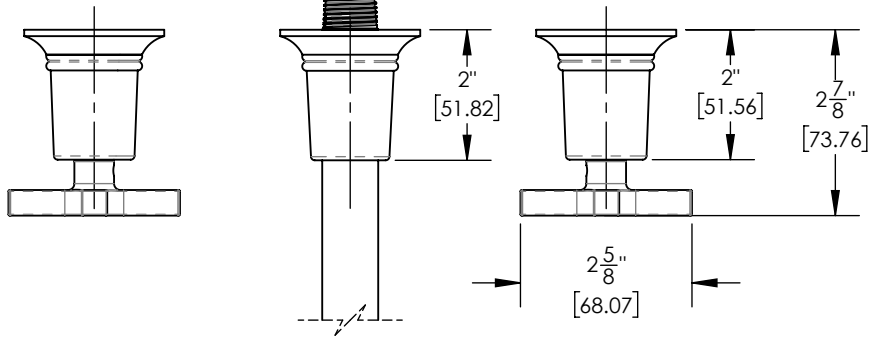
3

2

1

E

E

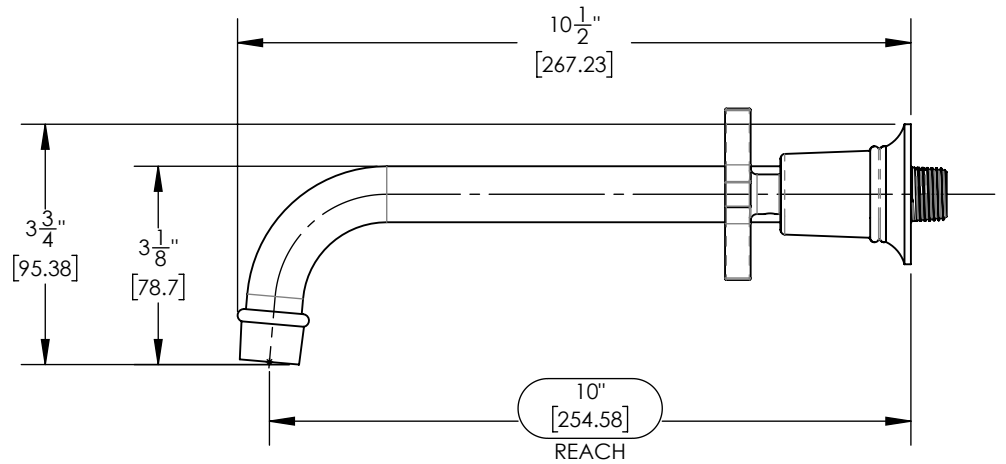
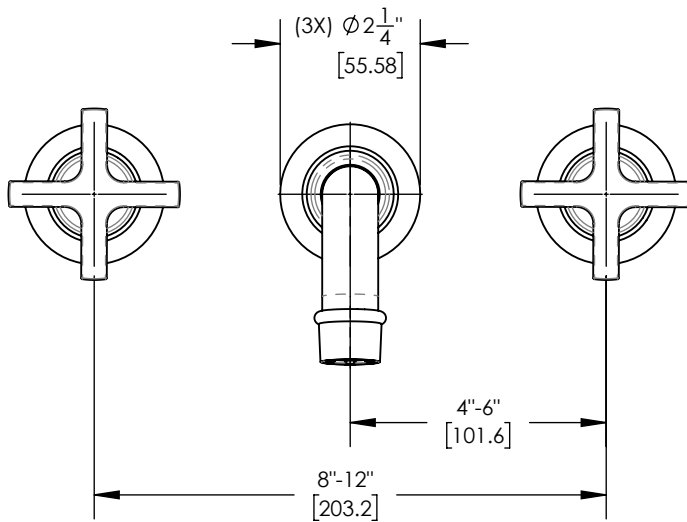


D

D

C

C



B

B

A

A

1261 LOGAN AVENUE  
COSTA MESA, CALIFORNIA 92626  
PHONE: 714.361.4800  
FAX: 714.617.3120

**PHYLIRICH**<sup>®</sup>  
Defining Luxury Since 1959

**PROPRIETARY AND CONFIDENTIAL**  
THE INFORMATION CONTAINED IN THIS DRAWING IS THE SOLE PROPERTY OF PHYLIRICH. ANY REPRODUCTION IN PART OR AS A WHOLE WITHOUT THE WRITTEN PERMISSION OF PHYLIRICH IS PROHIBITED.  
**DO NOT SCALE DRAWING**

**WALL LAV SET, TUBE SPOUT W/ CROSS HANDLES, 10" L, HEX MODERN**

SIZE <b>A</b>	ASM/PRT NO. 501-13-10/00	REV -
SCALE: 1:3	WEIGHT: lbs.	SHEET 2 OF 2

5

4

3

2

1