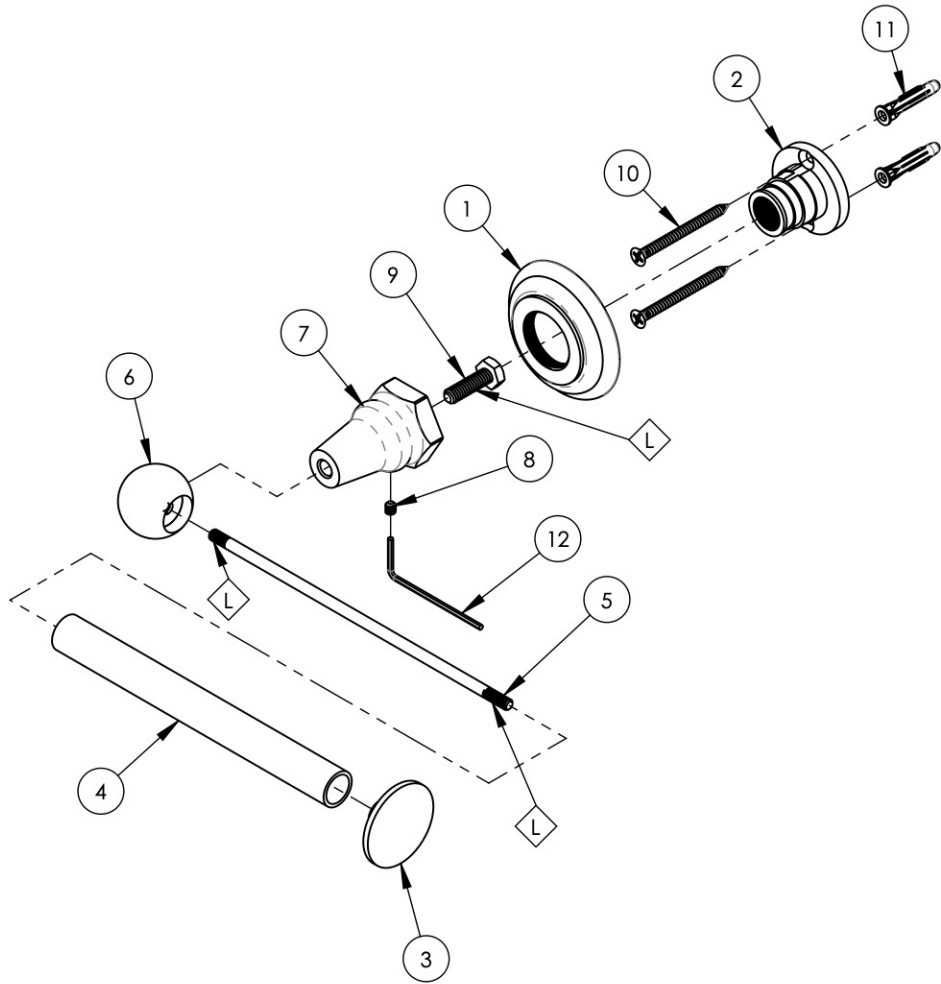


NOTE(S):
 1. APPLY NSF COMPLIANT LOCTITE TO THREADED AREA.



ITEM NO.	PART NUMBER	DESCRIPTION	QTY.
1	10619/00	ESCUTCHEON, TRADITIONAL LAV 1"-20	1
2	11050	MOUNTING KIT, WALL FLANGE	1
3	11057/00	TP HOLDER, FINIAL. HEX MODERN 501 SERIES	1
4	11059/00	BAR TUBE FOR TP HOLDER, 501 SERIES	1
5	11061	3/16" DIA. ROD WITH THREAD FOR TP HOLDER	1
6	11075/00	END BALL, TP HOLDER, 500 SERIES	1
7	11076/00	POST, 500 SERIES	1
8	92008	SET SCREW, CUP POINT 8-32, 3/16" L.	1
9	92232	HEX HEAD CAP SCREW, 1/4-20, 7/8" L	1
10	92234	SCREW FOR WOOD, PHIL. NO. 8 X 1-1/2"L	2
11	92235	ANCHOR FOR DRYWALL, TWIST-ACTION NO. 6-8 SIZE	2
12	P39001	HEX KEY 5/64, FOR 8-32 SET SCREW	1

ALL	D	UPDATE TEMPLATE & DWG NAME, ADD CALL OUTS	12/30/2019	AMM
ZONE	REV.	DESCRIPTION	DATE	APPROVED
REVISIONS				

1261 LOGAN AVENUE
 COSTA MESA, CALIFORNIA 92626
 PHONE: 714.361.4800
 FAX: 714.617.3120

PHYLIRICH[®]
 Defining Luxury Since 1959

PROPRIETARY AND CONFIDENTIAL
 THE INFORMATION CONTAINED IN THIS DRAWING IS THE SOLE PROPERTY OF PHYLIRICH. ANY REPRODUCTION IN PART OR AS A WHOLE WITHOUT THE WRITTEN PERMISSION OF PHYLIRICH IS PROHIBITED.

-	-	INTERPRET GEOMETRIC DIMENSIONING & TOLERANCING IN ACCORDANCE WITH ASME Y14.5-2009 & ASME Y14.41-2003 STANDARDS, UNLESS OTHERWISE SPECIFIED. DIMENSIONS ARE IN INCHES. TOLERANCES ARE:		
NEXT ASSY	USED ON	FRACTIONS ±1/16"	DECIMALS X.X: ±.1 X.XX: ±.01 X.XXX: ±.005	ANGULAR ±2°
APPLICATION		MATERIAL	NAME	DATE
FINISH		DRAWN	4/23/2014	
DO NOT SCALE DRAWING		CHECKED	GRE	

ACCESSORIES, PAPER HOLDER - SINGLE POST, HEX TRADITIONAL

SIZE **A** ASM/PRT NO. **500-74/00** REV **D**

SCALE: 1:3 WEIGHT: lbs. SHEET 1 OF 2