

5

4

3

2

1

NOTE(S):  
1. PART NUMBER, "/00" DENOTES PART SHALL HAVE FINISH.

2. APPLY NSF COMPLIANT GREASE TO ANY O-RING, SEALING JOINTS, AND/OR PIVOTAL POINTS.

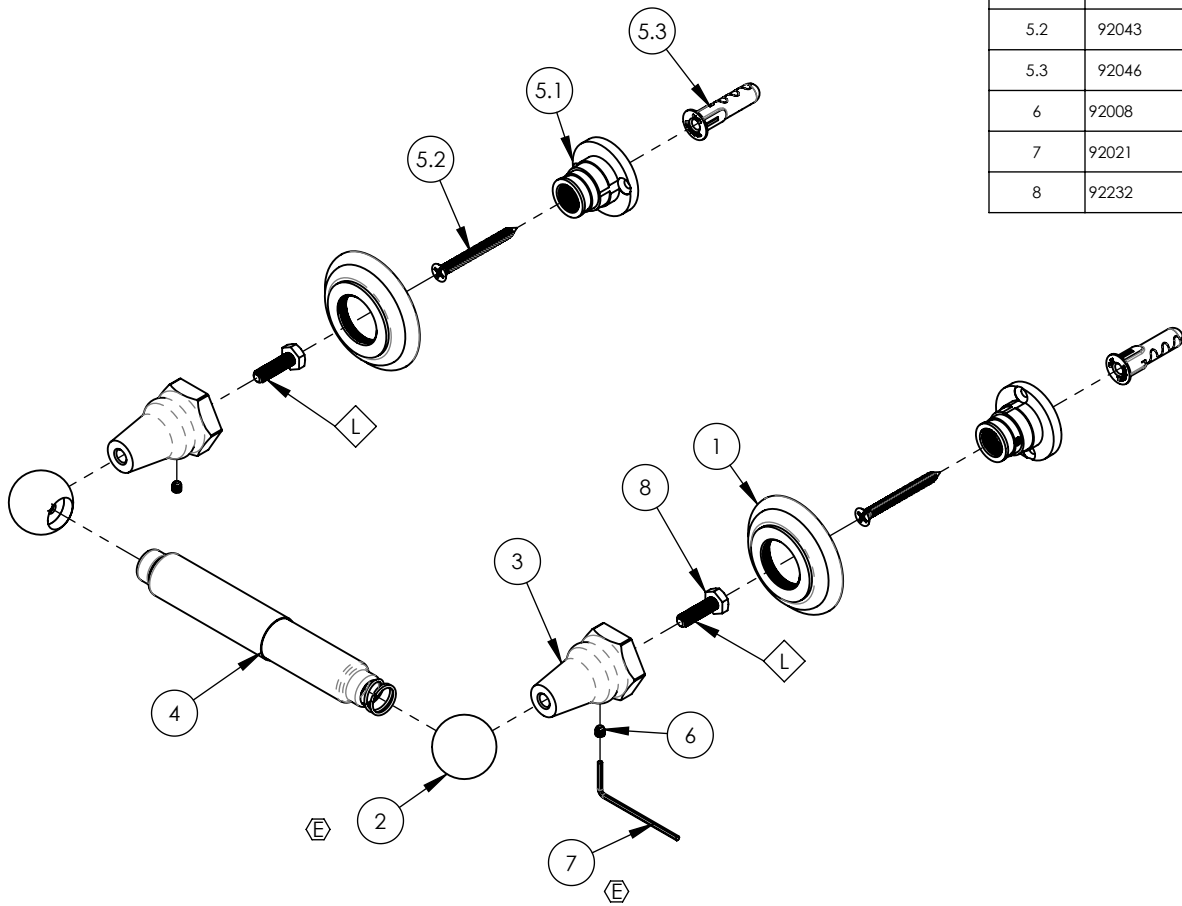
3. APPLY NSF COMPLIANT LOCTITE TO THREADED AREA.

4. APPLY NSF COMPLIANT REMOVABLE (BLUE) LOCTITE TO THREADED AREA.

5. SILVER SOLDER JOINTS SHALL BE FULLY WETTED VIA CAPILLARY ACTION AND COMPLETELY NON-POROUS.



ITEM NO.	PART NUMBER	DESCRIPTION	QTY.
1	10619/00	ESCUTCHEON, TRADITIONAL LAV 1"-20	2
2	11075/00	END BALL, TP HOLDER, 500 SERIES	2
3	11076/00	POST, 500 SERIES	2
4	3-055/00	TP ROLL SPRING HOLDER	1
5	3-568	ASSY, WALL MOUNT HARDWARE KIT	2
5.1	11050	MOUNTING KIT, WALL FLANGE	1
5.2	92043	SCREW, FLAT HD #10 SIZE W/ #2 PHIL DRIVE, 2"L	1
5.3	92046	ANCHOR SCREW 3/8" HOLE, TOGGLER AF10	1
6	92008	SET SCREW, CUP POINT 8-32, 3/16" L.	2
7	92021	HEX KEY 5/64, FOR 8-32 SET SCREW	1
8	92232	HEX HEAD CAP SCREW, 1/4-20, 7/8" L	2



ZONE	REV.	DESCRIPTION	DATE	APPROVED
B4	E	UPDATE HEX KEY, REPLACE BALL ENDS, REMOVE POST SUBASSYS	8/17/2021	AMM
REVISIONS				

1261 LOGAN AVENUE  
COSTA MESA, CALIFORNIA 92626  
PHONE: 714.361.4800  
FAX: 714.617.3120

**PHYLIRICH**<sup>®</sup>  
Defining Luxury Since 1959

**PROPRIETARY AND CONFIDENTIAL**  
THE INFORMATION CONTAINED IN THIS DRAWING IS THE SOLE PROPERTY OF PHYLIRICH. ANY REPRODUCTION IN PART OR AS A WHOLE WITHOUT THE WRITTEN PERMISSION OF PHYLIRICH IS PROHIBITED.  
**DO NOT SCALE DRAWING**

ACCESSORIES, PAPER HOLDER - DOUBLE POST, HEX TRADITIONAL

SIZE <b>A</b>	ASM/PRT NO. 500-73/00	REV E
SCALE: 1:3.5	WEIGHT: lbs.	SHEET 1 OF 2

5

4

3

2

1

5

4

3

2

1

E

E

D

D

C

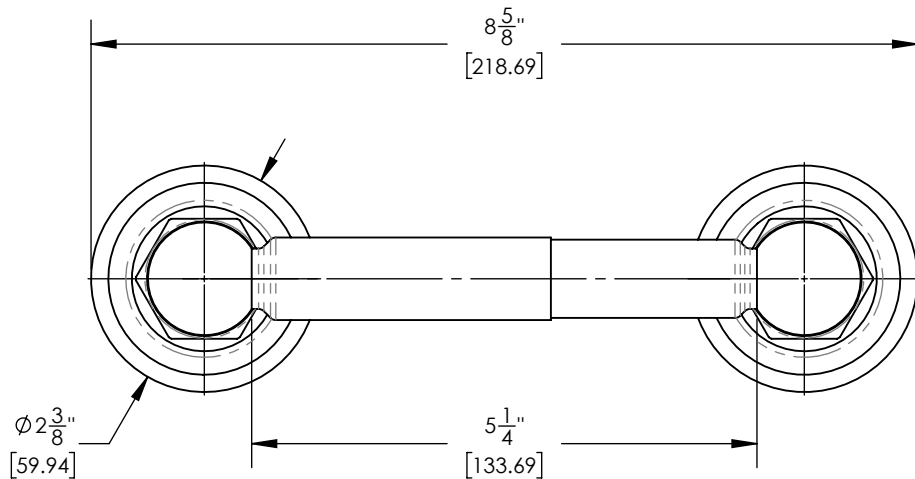
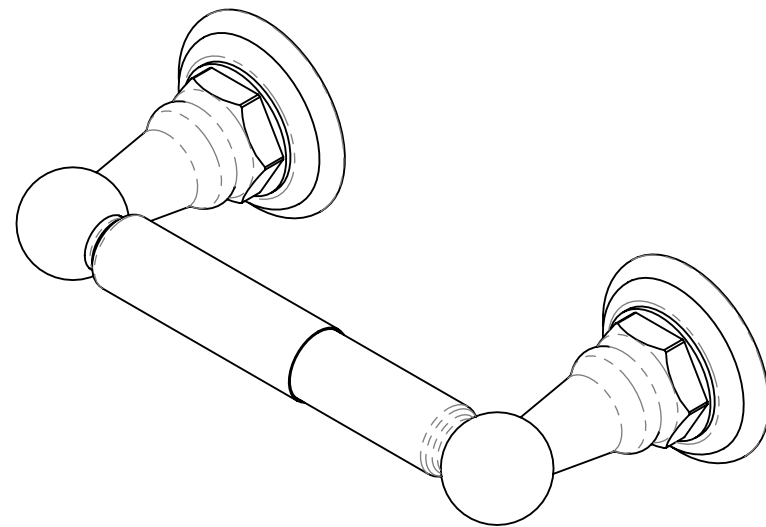
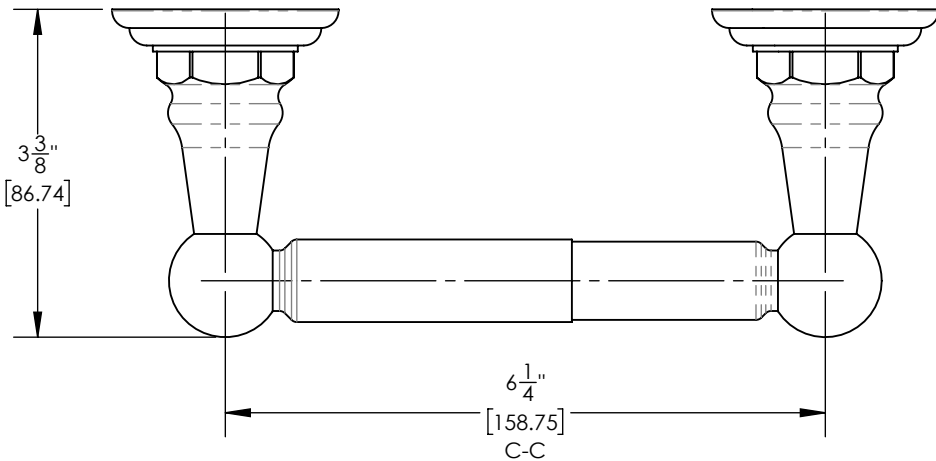
C

B

B

A

A



1261 LOGAN AVENUE  
COSTA MESA, CALIFORNIA 92626  
PHONE: 714.361.4800  
FAX: 714.617.3120

**PHYLIRICH**<sup>®</sup>  
Defining Luxury Since 1959

**PROPRIETARY AND CONFIDENTIAL**  
THE INFORMATION CONTAINED IN THIS DRAWING  
IS THE SOLE PROPERTY OF PHYLIRICH. ANY  
REPRODUCTION IN PART OR AS A WHOLE  
WITHOUT THE WRITTEN PERMISSION OF PHYLIRICH  
IS PROHIBITED.  
**DO NOT SCALE DRAWING**

ACCESSORIES, PAPER HOLDER - DOUBLE  
POST, HEX TRADITIONAL

SIZE <b>A</b>	ASM/PRT NO. 500-73/00	REV E
SCALE: 1:2	WEIGHT: lbs.	SHEET 2 OF 2

5

4

3

2

1