

5

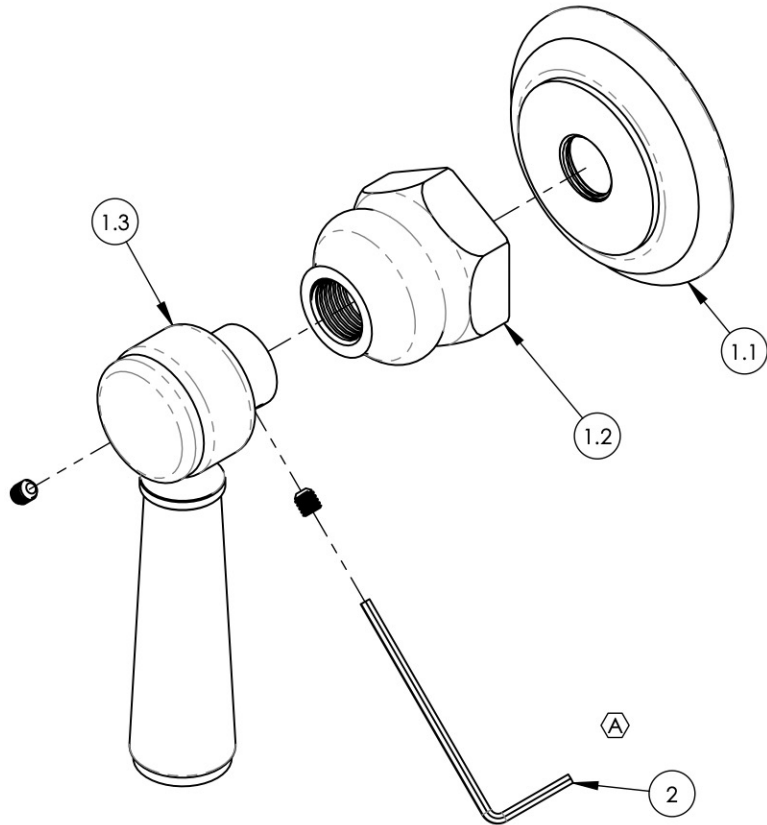
4

3

2

1

ITEM NO.	PART NUMBER	DESCRIPTION	QTY.
1	3-143/00	LEVER HANDLE, WALL/SHOWER, 500 SERIES,	1
1.1	10618/00	ESCUTCHEON, TRADITIONAL 500	1
1.2	10621/00	BASE HUB NUT	1
1.3	2-141/00	SUB ASSY. LEVER HANDLE, 500 SERIES	1
2	P39001	HEX KEY 5/64, FOR 8-32 SET SCREW	1



ALL	A	UPDATE TEMPLATE/ HEX KEY, DWG NAME	12/13/2019	AMM
ZONE	REV.	DESCRIPTION	DATE	APPROVED
REVISIONS				

1261 LOGAN AVENUE  
COSTA MESA, CALIFORNIA 92626  
PHONE: 714.361.4800  
FAX: 714.617.3120

**PHYLIRICH**<sup>®</sup>  
Defining Luxury Since 1959

**PROPRIETARY AND CONFIDENTIAL**

THE INFORMATION CONTAINED IN THIS DRAWING IS THE SOLE PROPERTY OF PHYLIRICH. ANY REPRODUCTION IN PART OR AS A WHOLE WITHOUT THE WRITTEN PERMISSION OF PHYLIRICH IS PROHIBITED.

-	-	INTERPRET GEOMETRIC DIMENSIONING & TOLERANCING IN ACCORDANCE WITH ASME Y14.5-2009 & ASME Y14.41-2003 STANDARDS, UNLESS OTHERWISE SPECIFIED. DIMENSIONS ARE IN INCHES. TOLERANCES ARE:		
NEXT ASSY	USED ON	<b>FRACTIONS</b> ±1/16"	<b>DECIMALS</b> X.X: ±.1 X.XX: ±.01 X.XXX: ±.005	<b>ANGULAR</b> ±2°
APPLICATION		MATERIAL	NAME	DATE
FINISH		DRAWN	LLO	11/18/2013
<b>DO NOT SCALE DRAWING</b>		CHECKED	GRE	

SHOWER ITEM, VOLUME CONTROL/  
DIVERTER, LEVER, HEX TRADITIONAL

SIZE	ASM/PRT NO.	REV
<b>A</b>	500-36/00	<b>A</b>

SCALE: 1:1.5      WEIGHT: lbs.      SHEET 1 OF 2

5

4

3

2

1