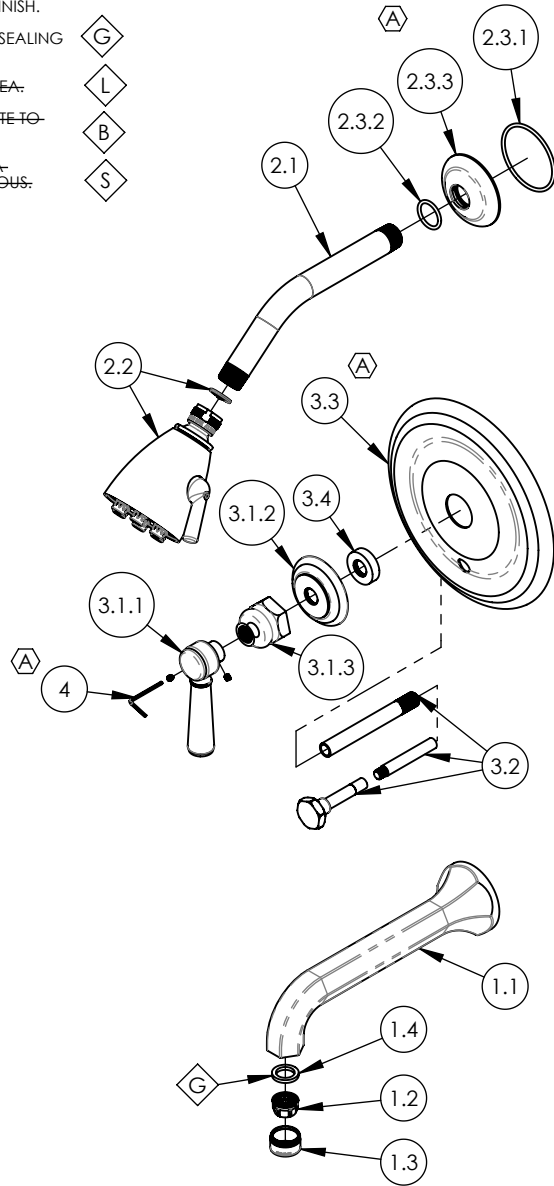


- NOTE(S):
 1. PART NUMBER, "/00" DENOTES PART SHALL HAVE FINISH.
 2. APPLY NSF COMPLIANT GREASE TO ANY O-RING, SEALING JOINTS, AND/OR PIVOTAL POINTS.
 3. APPLY NSF COMPLIANT LOCTITE TO THREADED AREA.
 4. APPLY NSF COMPLIANT REMOVABLE (BLUE) LOCTITE TO THREADED AREA.
 5. SILVER SOLDER JOINTS SHALL BE FULLY WETTED VIA CAPILLARY ACTION AND COMPLETELY NON-POROUS.
 6. EXAMPLE OF SPLIT FINISH CODE:
 A. 3-373/026X030
 7. SPLIT FINISH CODES:
 A. BLACK MARBLE = 3-373/00X030
 B. WHITE MARBLE = 3-373/00X031
 C. SOAPSTONE = 3-373/00X032
 8. AVAILABLE HANDLE STONE OPTIONS:
 A. BLACK MARBLE = 11328 (030)
 B. WHITE MARBLE = 11329 (031)
 C. SOAPSTONE = 11330 (032)



ITEM NO.	PART NUMBER	DESCRIPTION	QTY.
1	3-147/00	SPOUT, WALL TUB, 500/501 SERIES	1
1.1	10427/00	SPOUT WALL, CAST BRASS, HEX	1
1.2	10721	AERATOR, NEOSTRAHL FULL FLOW	1
1.3	30032/00	AERATOR HOUSING 15/16" MALE HOUSING	1
1.4	30030	RUBBER SEAL WASHER AERATOR, NEOPERL PRT # BW.7110.1	1
2	4-140/00	SHOWER HEAD 8" ARM, 6 JET PLUNGER, HEX TRADITIONAL	1
2.1	P16008/00	SHOWER ARM (8 INCH)	1
2.2	3-018/00	SHOWERHEAD SIX JET	1
2.3	3-720/00	SHOWER FLANGE, REGENT	1
2.3.1	90138	O-RING, 2 1/8"ID X 3/32"THK., AS-568-138	1
2.3.2	90117	O-RING, 7/8"ID X 33/32"THK., AS-568-117	1
2.3.3	P16011/00	K803 SHOWER FLANGE	1
3	4-164/00	SHOWER TRIM PLATE, PB, DIVERTED, MARBLE, HEX TRAD	1
3.1	3-373/00	MARBLE LEVER HANDLE ASSY., WALL/SHOWER	1
3.1.1	2-142/00	MARBLE LEVER HANDLE, 500 SERIES, HEX TRADITIONAL	1
3.1.2	10618/00	ESCUTCHEON, TRADITIONAL 500	1
3.1.3	10621/00	BASE HUB NUT	1
3.2	3-322/00	DIVERTER EXTENSION FOR PB TUB & SHOWER SET, HEX	1
3.3	P17011/00	TRIM PLATE, PRESSURE BALANCE, SMOOTH, DOUBLE HOLE	1
3.4	11087	SLEEVE FOR PB-THERM PLATE	1
4	92021	HEX KEY 5/64, FOR 8-32 SET SCREW	1

ALL	A	UPDATE TRIM PLATE, HEX KEY, & SHOWER FLANGE SUBASSY	4/23/2021	AMM
ZONE	REV.	DESCRIPTION	DATE	APPROVED
REVISIONS				

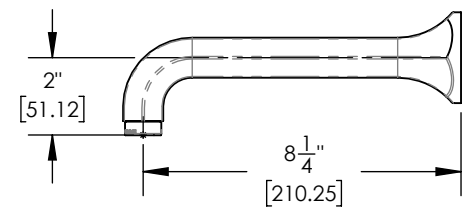
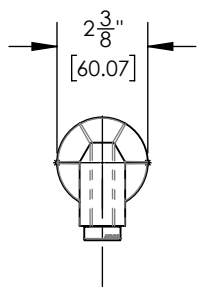
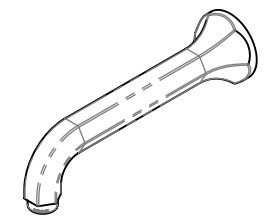
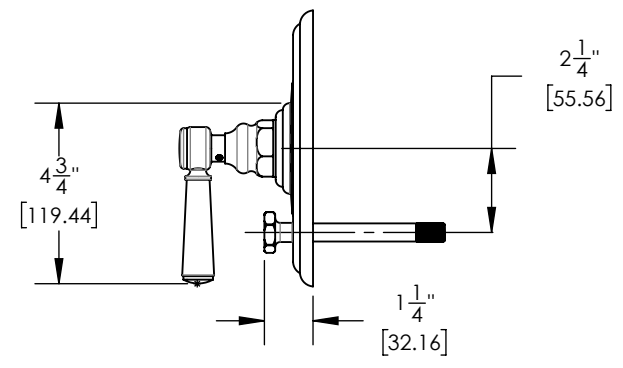
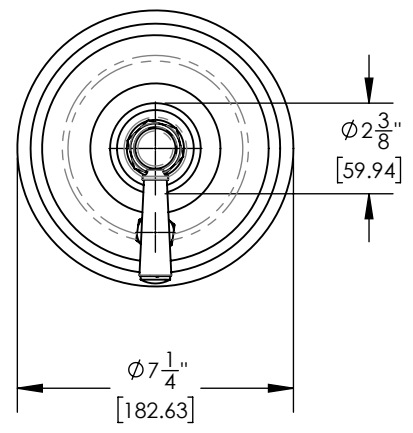
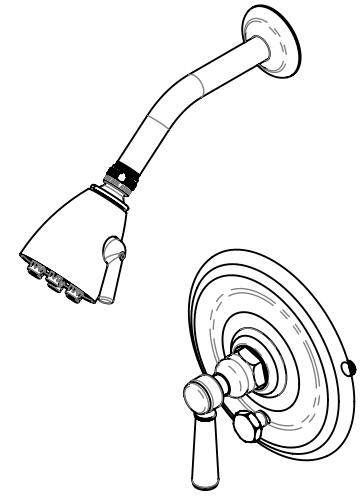
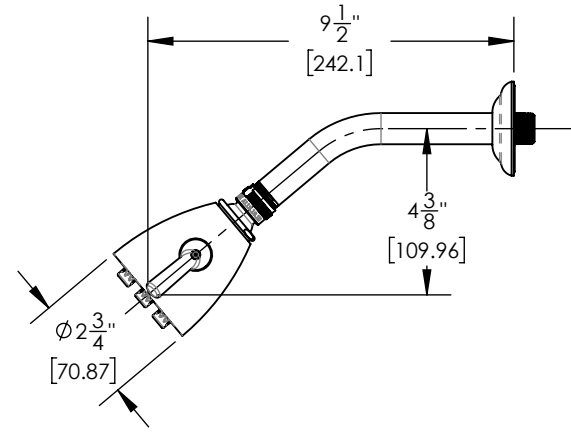
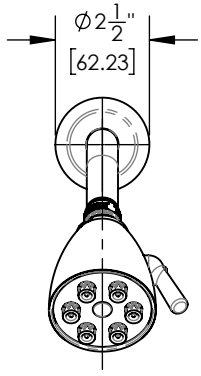
1261 LOGAN AVENUE
 COSTA MESA, CALIFORNIA 92626
 PHONE: 714.361.4800
 FAX: 714.617.3120

PHYLIRICH[®]
 Defining Luxury Since 1959

PROPRIETARY AND CONFIDENTIAL
 THE INFORMATION CONTAINED IN THIS DRAWING IS THE SOLE PROPERTY OF PHYLIRICH. ANY REPRODUCTION IN PART OR AS A WHOLE WITHOUT THE WRITTEN PERMISSION OF PHYLIRICH IS PROHIBITED.
DO NOT SCALE DRAWING

SHOWER TRIM SET - PRESSURE BALANCE,
 TUB & SHOWER, MARBLE, HEX
 TRADITIONAL

SIZE A	ASM/PRT NO. 500-28/00	REV A
SCALE: 1:6	WEIGHT: lbs.	SHEET 1 OF 2



1261 LOGAN AVENUE
COSTA MESA, CALIFORNIA 92626
PHONE: 714.361.4800
FAX: 714.617.3120

PHYLIRICH[®]
Defining Luxury Since 1959

PROPRIETARY AND CONFIDENTIAL
THE INFORMATION CONTAINED IN THIS DRAWING IS THE SOLE PROPERTY OF PHYLIRICH. ANY REPRODUCTION IN PART OR AS A WHOLE WITHOUT THE WRITTEN PERMISSION OF PHYLIRICH IS PROHIBITED.
DO NOT SCALE DRAWING

SHOWER TRIM SET - PRESSURE BALANCE, TUB & SHOWER, MARBLE, HEX TRADITIONAL

SIZE A	ASM/PRT NO. 500-28/00	REV A
SCALE: 1:5	WEIGHT: lbs.	SHEET 2 OF 2