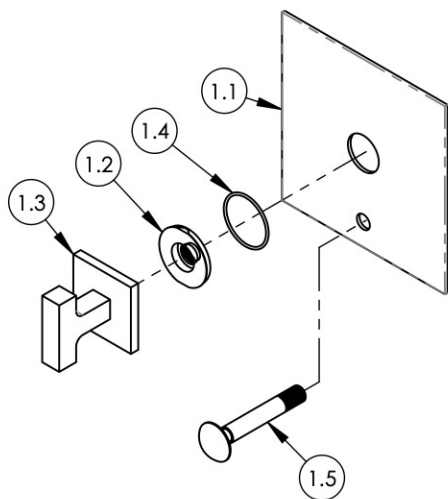
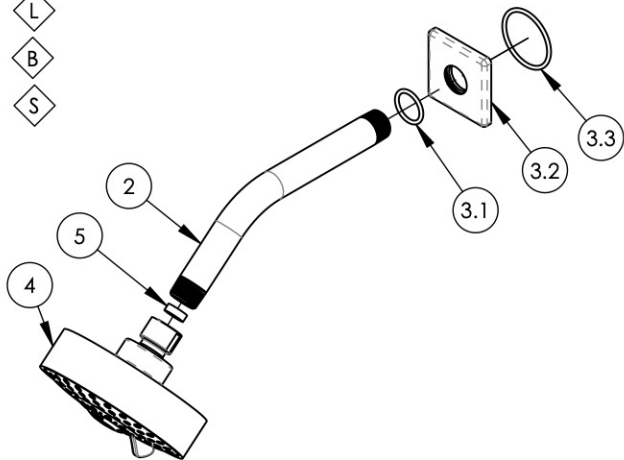


- NOTE(S):
1. PART NUMBER, "/00" DENOTES PART SHALL HAVE FINISH.
 2. APPLY NSF COMPLIANT GREASE TO ANY O-RING, SEALING JOINTS, AND/OR PIVOTAL POINTS.
 3. APPLY NSF COMPLIANT LOCTITE TO THREADED AREA.
 4. APPLY NSF COMPLIANT REMOVABLE (BLUE) LOCTITE TO THREADED AREA.
 5. SILVER SOLDER JOINTS SHALL BE FULLY WETTED VIA CAPILLARY ACTION AND COMPLETELY NON-POROUS.



| ITEM NO. | PART NUMBER | DESCRIPTION | QTY. |
|----------|-------------|--|------|
| 1 | 4-727 | PB PLATE W/ DIVERTER, LEVER HANDLE, CROI | 1 |
| 1.1 | 10959/00 | SHOWER TRIM PLATE W/ DIVERTER HOLE, MIX SERIES | 1 |
| 1.2 | 11003 | SLEEVE MOUNT, WALL MT WIDESPREAD | 1 |
| 1.3 | 3-799 | ASSY, LEVER HANDLE, CROI SERIES | 1 |
| 1.4 | 90029 | O-RING, 1-5/8"ID X 1-3/4"OD X 1/16"THK, AS-568-029 | 1 |
| 1.5 | 3-125/00 | DIVERTER EXTENSION ASSY FOR PB TUB & SHOWER SET | 1 |
| 2 | P16008/00 | SHOWER ARM (8 INCH) | 1 |
| 3 | 3-719/00 | SHOWER FLANGE, MIX/ STRIA | 1 |
| 3.1 | 90117 | O-RING, 7/8"ID X 33/32"THK., AS-568-117 | 1 |
| 3.2 | 10935/00 | ESCUTCHEON, SHOWER FLANGE MIX SERIES | 1 |
| 3.3 | 90129 | O-RING, 1-9/16"ID X 3/32"THK, AS-568-129 | 1 |
| 4 | 3-454 | SHOWER HEAD MULTI. FUNCTION CONTEMP. | 1 |
| 5 | 12265 | FLOW RESTRICTOR, 1.8GPM, SHOWERHEAD | 1 |

1261 LOGAN AVENUE
COSTA MESA, CALIFORNIA 92626
PHONE: 714.361.4800
FAX: 714.617.3120

PHYLIRICH[®]
Defining Luxury Since 1959

PROPRIETARY AND CONFIDENTIAL
THE INFORMATION CONTAINED IN THIS DRAWING IS THE SOLE PROPERTY OF PHYLIRICH. ANY REPRODUCTION IN PART OR AS A WHOLE WITHOUT THE WRITTEN PERMISSION OF PHYLIRICH IS PROHIBITED.
DO NOT SCALE DRAWING

PRESSURE BALANCE & DIVERTER TRIM SET (LESS TUB SPOUT), LEVER HANDLE, CROI

SIZE
A

ASM/PRT NO.

4-730/00

REV

-

SCALE: 1:5

WEIGHT: lbs.

SHEET 1 OF 2