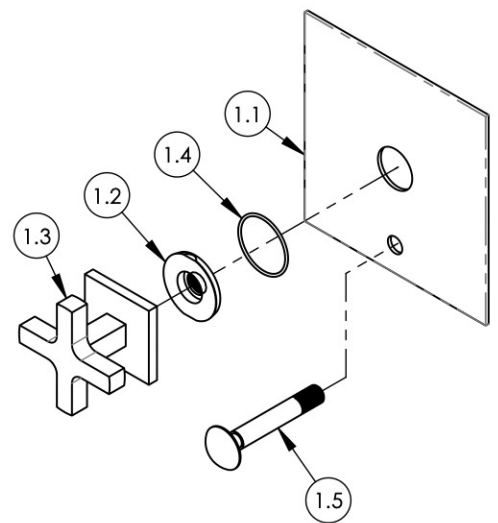
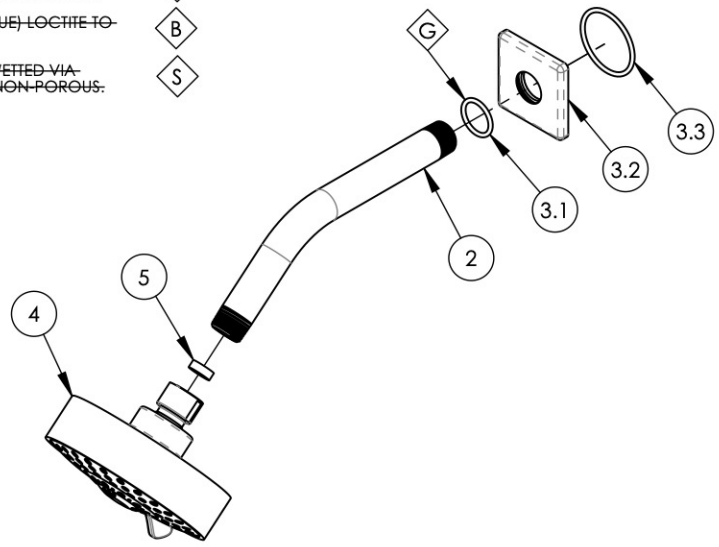


NOTE(S):

1. PART NUMBER, "/00" DENOTES PART SHALL HAVE FINISH.
2. APPLY NSF COMPLIANT GREASE TO ANY O-RING, SEALING JOINTS, AND/OR PIVOTAL POINTS.
3. APPLY NSF COMPLIANT LOCTITE TO THREADED AREA.
4. APPLY NSF COMPLIANT REMOVABLE (BLUE) LOCTITE TO THREADED AREA.
5. SILVER SOLDER JOINTS SHALL BE FULLY WETTED VIA CAPILLARY ACTION AND COMPLETELY NON-POROUS.

- G
- L
- B
- S



ITEM NO.	PART NUMBER	DESCRIPTION	QTY.
1	4-726	PB PLATE W/ DIVERTER, CROSS HANDLE, CROI SERIES	1
1.1	10959/00	SHOWER TRIM PLATE W/ DIVERTER HOLE, MIX SERIES	1
1.2	11003	SLEEVE MOUNT, WALL MT WIDESPREAD	1
1.3	3-792	ASSY, CROSS HANDLE, SQUARE POST, CROI	1
1.4	90029	O-RING, 1-5/8"ID X 1-3/4"OD X 1/16"THK, AS-568-029	1
1.5	3-125/00	DIVERTER EXTENSION ASSY FOR PB TUB & SHOWER SET	1
2	P16008/00	SHOWER ARM (8 INCH)	1
3	3-719/00	SHOWER FLANGE, MIX/ STRIA	1
3.1	90117	O-RING, 7/8"ID X 33/32"THK., AS-568-117	1
3.2	10935/00	ESCUTCHEON, SHOWER FLANGE MIX SERIES	1
3.3	90129	O-RING, 1-9/16"ID X 3/32THK, AS-568-129	1
4	3-454	SHOWER HEAD MULTI. FUNCTION CONTEMP.	1
5	12265	FLOW RESTRICTOR, 1.8GPM, SHOWERHEAD	1

1261 LOGAN AVENUE  
COSTA MESA, CALIFORNIA 92626  
PHONE: 714.361.4800  
FAX: 714.617.3120

**PHYLIRICH**<sup>®</sup>  
Defining Luxury Since 1959

**PROPRIETARY AND CONFIDENTIAL**  
THE INFORMATION CONTAINED IN THIS DRAWING IS THE SOLE PROPERTY OF PHYLIRICH. ANY REPRODUCTION IN PART OR AS A WHOLE WITHOUT THE WRITTEN PERMISSION OF PHYLIRICH IS PROHIBITED.  
**DO NOT SCALE DRAWING**

**PRESSURE BALANCE & DIVERTER TRIM SET (LESS TUB SPOUT), CROSS HANDLE, CROI**

SIZE <b>A</b>	ASM/PRT NO. <b>4-729/00</b>	REV -
SCALE: 1:4.5	WEIGHT: lbs.	SHEET 1 OF 2