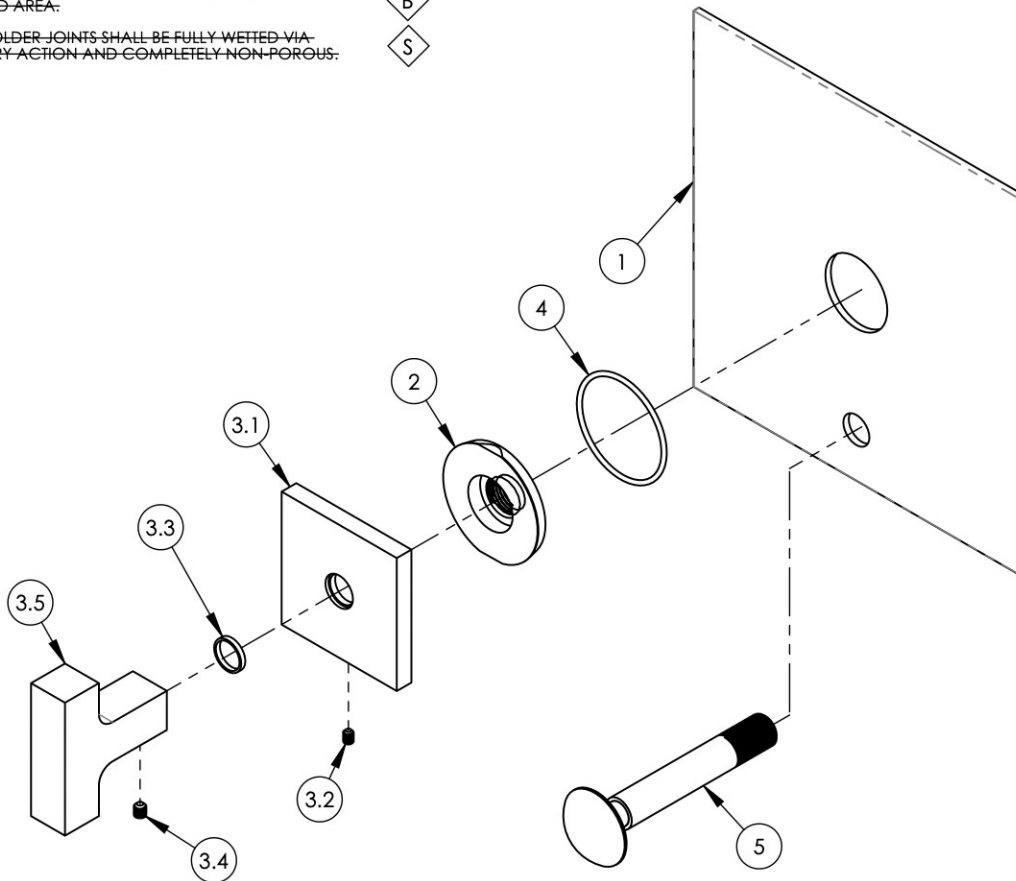


- NOTE(S):
 1. PART NUMBER, "/00" DENOTES PART SHALL HAVE FINISH.
2. APPLY NSF COMPLIANT GREASE TO ANY O-RING, SEALING JOINTS, AND/OR PIVOTAL POINTS.
 3. APPLY NSF COMPLIANT LOCTITE TO THREADED AREA.
 4. APPLY NSF COMPLIANT REMOVABLE (BLUE) LOCTITE TO THREADED AREA.
 5. SILVER SOLDER JOINTS SHALL BE FULLY WETTED VIA CAPILLARY ACTION AND COMPLETELY NON-POROUS.



ITEM NO.	PART NUMBER	DESCRIPTION	QTY.
1	10959/00	SHOWER TRIM PLATE W/ DIVERTER HOLE, MIX SERIES	1
2	11003	SLEEVE MOUNT, WALL MT WIDESPREAD	1
3	3-799	ASSY, LEVER HANDLE, CROI SERIES	1
3.1	10937/00	ESCUTCHEON, HANDLE, MIX/STRIA/CROI	1
3.2	92005	SET SCREW, CUP PT 6-32 UNC THREAD 3/16"L	1
3.3	92176	WEAR WASHER	1
3.4	92008	SET SCREW, CUP POINT 8-32, 3/16" L.	1
3.5	12298	LEVER HANDLE, CROI	1
4	90029	O-RING, 1-5/8"ID X 1-3/4"OD X 1/16"THK, AS-568-029	1
5	3-125/00	DIVERTER EXTENSION ASSY FOR PB TUB & SHOWER SET	1
5.1	11008/00	DIVERTED STEM FOR PB PLATE	1
5.2	11006/00	PULL KNOB, DIVERTER, 10-24	1
5.3	P17066/00	EXTENSION SLEEVE, STEM, PB TUB & SHOWER SET	1

ZONE	REV.	DESCRIPTION	DATE	APPROVED
------	------	-------------	------	----------

REVISIONS

1261 LOGAN AVENUE
 COSTA MESA, CALIFORNIA 92626
 PHONE: 714.361.4800
 FAX: 714.617.3120

PHYLIRICH[®]
 Defining Luxury Since 1959

PROPRIETARY AND CONFIDENTIAL
 THE INFORMATION CONTAINED IN THIS DRAWING IS THE SOLE PROPERTY OF PHYLIRICH. ANY REPRODUCTION IN PART OR AS A WHOLE WITHOUT THE WRITTEN PERMISSION OF PHYLIRICH IS PROHIBITED.
DO NOT SCALE DRAWING

PB PLATE W/ DIVERTER, LEVER HANDLE, CROI

SIZE A	ASM/PRT NO. 4-727/00	REV -
SCALE: 1:2.5	WEIGHT: lbs.	SHEET 1 OF 2