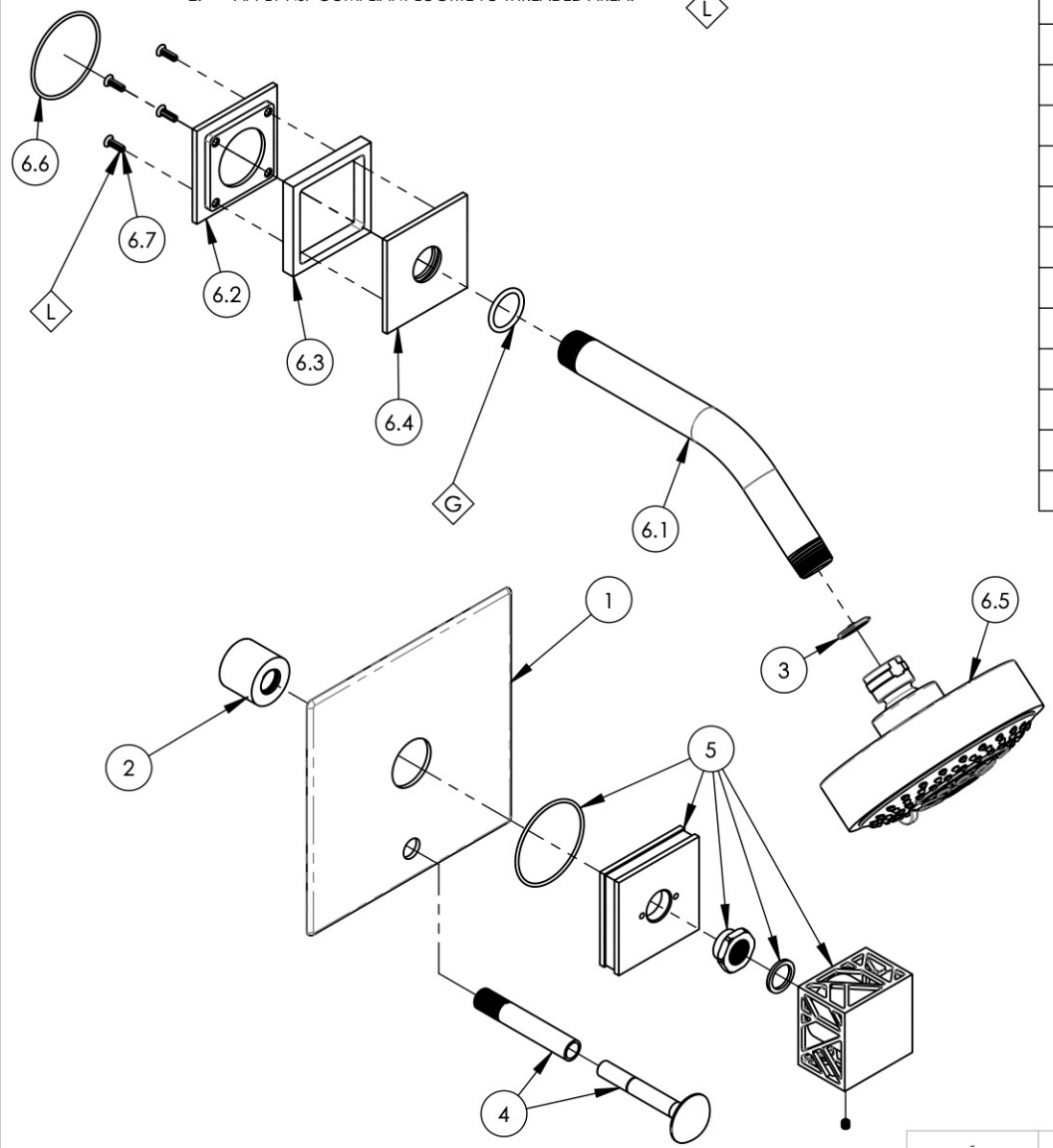


- NOTE(S):
1. APPLY NSF COMPLIANT GREASE TO ANY O-RING, SEALING JOINTS, AND/OR PIVOTAL POINTS. G
  2. APPLY NSF COMPLIANT LOCTITE TO THREADED AREA. L



ITEM NO.	PART NUMBER	DESCRIPTION	QTY.
1	10959/00	SHOWER TRIM PLATE W/ DIVERTER HOLE, MIX SERIES	1
2	11087	SLEEVE FOR PB-THERM PLATE	1
3	11432	1.75 GPM FLOW REGULATOR	1
4	3-125/00	EXTENSION ASSY FOR PB TUB & SHOWER SET	1
5	3-603/00	ASSY, SQUARE HANDLE & BASE, CAGE DESIGN, JOLIE	1
6	4-595/00	FLANGE, SHOWER ARM, MULTIFUNCTION SHOWER HEAD, SQUARE, JOLIE	1
6.1	P16008/00	SHOWER ARM (8 INCH)	1
6.2	11806/00	SQUARE BASE, BOTTOM, JOLIE	1
6.3	11804/00	SQAURE INSERT, HANDLE, BASE	1
6.4	11908/00	FLANGE COVER, SHOWER ARM, SQUARE, JOLIE	1
6.5	3-454/00	SHOWER HEAD MULTI. FUNC. CONTEMP.	1
6.6	90032	O-RING, 1-7/8"ID X 2"OD X 1/16"THK., AS-568-032	1
6.7	92434	SCREW, SS PHILLIPS FLAT HEAD W/ UNDERCUT 6-32 X 7/16" L	4
6.8	90117	O-RING, 7/8"ID X 33/32"THK., AS-568-117	1

ZONE	REV.	DESCRIPTION	DATE	APPROVED
REVISIONS				

1261 LOGAN AVENUE  
COSTA MESA, CALIFORNIA 92626  
PHONE: 714.361.4800  
FAX: 714.617.3120

**PHYL RICH**<sup>®</sup>  
Defining Luxury Since 1959

**PROPRIETARY AND CONFIDENTIAL**  
THE INFORMATION CONTAINED IN THIS DRAWING IS THE SOLE PROPERTY OF PHYL RICH. ANY REPRODUCTION IN PART OR AS A WHOLE WITHOUT THE WRITTEN PERMISSION OF PHYL RICH IS PROHIBITED.

-	-	INTERPRET GEOMETRIC DIMENSIONING & TOLERANCING IN ACCORDANCE WITH ASME Y14.5-2009 & ASME Y14.41-2003 STANDARDS, UNLESS OTHERWISE SPECIFIED. DIMENSIONS ARE IN INCHES. TOLERANCES ARE:		
NEXT ASSY	USED ON	<b>FRACTIONS</b> ±1/16"	<b>DECIMALS</b> X.X: ±.1 X.XX: ±.01 X.XXX: ±.005	<b>ANGULAR</b> ±2°
APPLICATION		MATERIAL	NAME	DATE
FINISH		DRAWN	AMM	4/1/2020
<b>DO NOT SCALE DRAWING</b>		CHECKED	AMM	4/1/2020

**SHOWER TRIM SET, PB DIVERTED, SQUARE (LESS TUB SPOUT), JOLIE**

SIZE	ASM/PRT NO.	REV
<b>A</b>	4-678/00	
SCALE: 1:4	WEIGHT: lbs.	SHEET 1 OF 2