

5

4

3

2

1

E

E

D

D

C

C

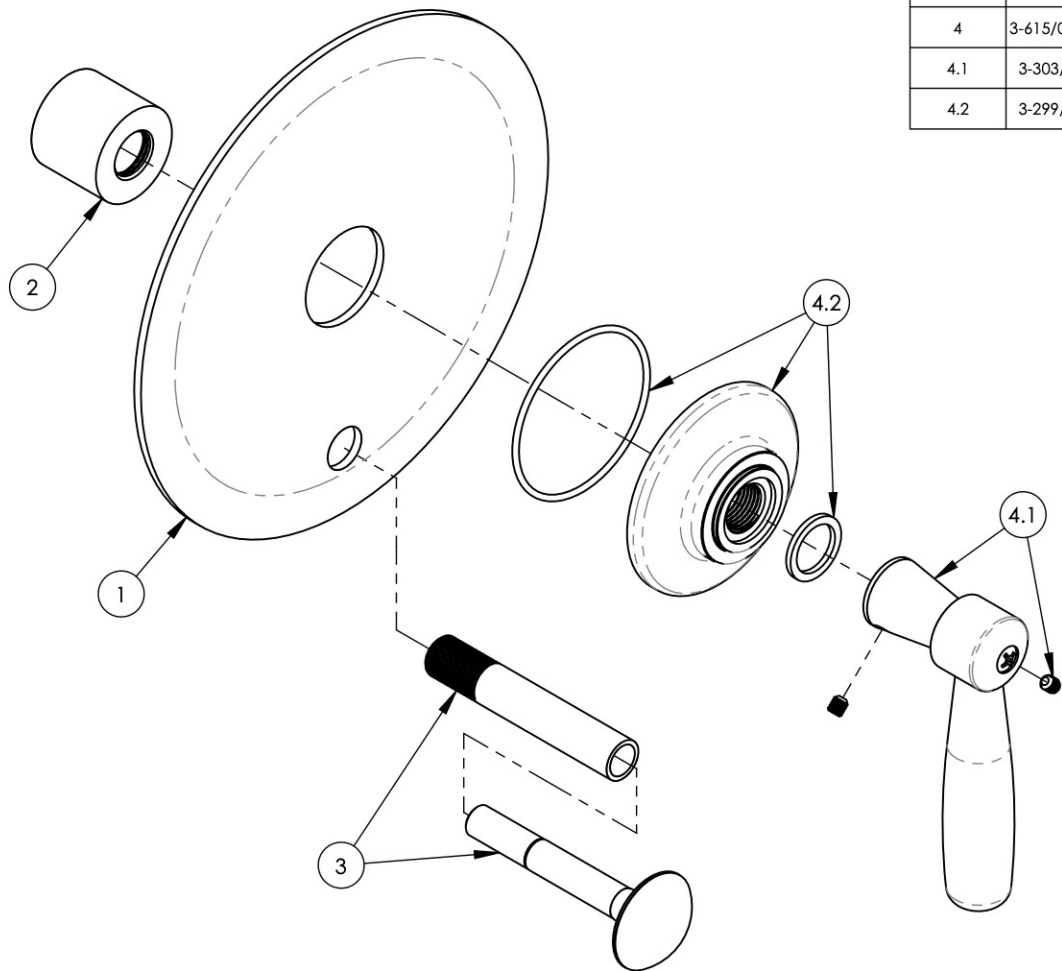
B

B

A

A

ITEM NO.	PART NUMBER	DESCRIPTION	QTY.
1	10445/00	TRIM PLATE 6" ROUND W/ DIVERTER HOLE, BASIC II	1
2	11087	SLEEVE FOR PB-THERM PLATE	1
3	3-125/00	EXTENSION ASSY FOR PB TUB & SHOWER SET	1
4	3-615/00	LEVER HANDLE, HUB, BASE & HARDWARE, WORKS	1
4.1	3-303/00	HANDLE LEVER W/ HARDWARE, WORKS	1
4.2	3-299/00	ESCUTCHEON BASE FOR HANDLE, WORKS	1



ZONE	REV.	DESCRIPTION	DATE	APPROVED
REVISIONS				

1261 LOGAN AVENUE
COSTA MESA, CALIFORNIA 92626
PHONE: 714.361.4800
FAX: 714.617.3120

PHYLIRICH®
Defining Luxury Since 1959

PROPRIETARY AND CONFIDENTIAL
THE INFORMATION CONTAINED IN THIS DRAWING IS THE SOLE PROPERTY OF PHYLIRICH. ANY REPRODUCTION IN PART OR AS A WHOLE WITHOUT THE WRITTEN PERMISSION OF PHYLIRICH IS PROHIBITED.

-	-	INTERPRET GEOMETRIC DIMENSIONING & TOLERANCING IN ACCORDANCE WITH ASME Y14.5-2009 & ASME Y14.41-2003 STANDARDS, UNLESS OTHERWISE SPECIFIED. DIMENSIONS ARE IN INCHES. TOLERANCES ARE:		
NEXT ASSY	USED ON	FRACTIONS ±1/16"	DECIMALS X.X: ±.1 X.XX: ±.01 X.XXX: ±.005	ANGULAR ±2°
APPLICATION		MATERIAL	NAME	DATE
FINISH		DRAWN	AMM	1/21/2020
DO NOT SCALE DRAWING		CHECKED		

SHOWER TRIM PLATE, PB DIVERTED, SINGLE HANDLE, LEVER, WORKS

SIZE	ASM/PRT NO.	REV
A	4-617/00	-
SCALE: 1:2	WEIGHT: lbs.	SHEET 1 OF 2

5

4

3

2

1