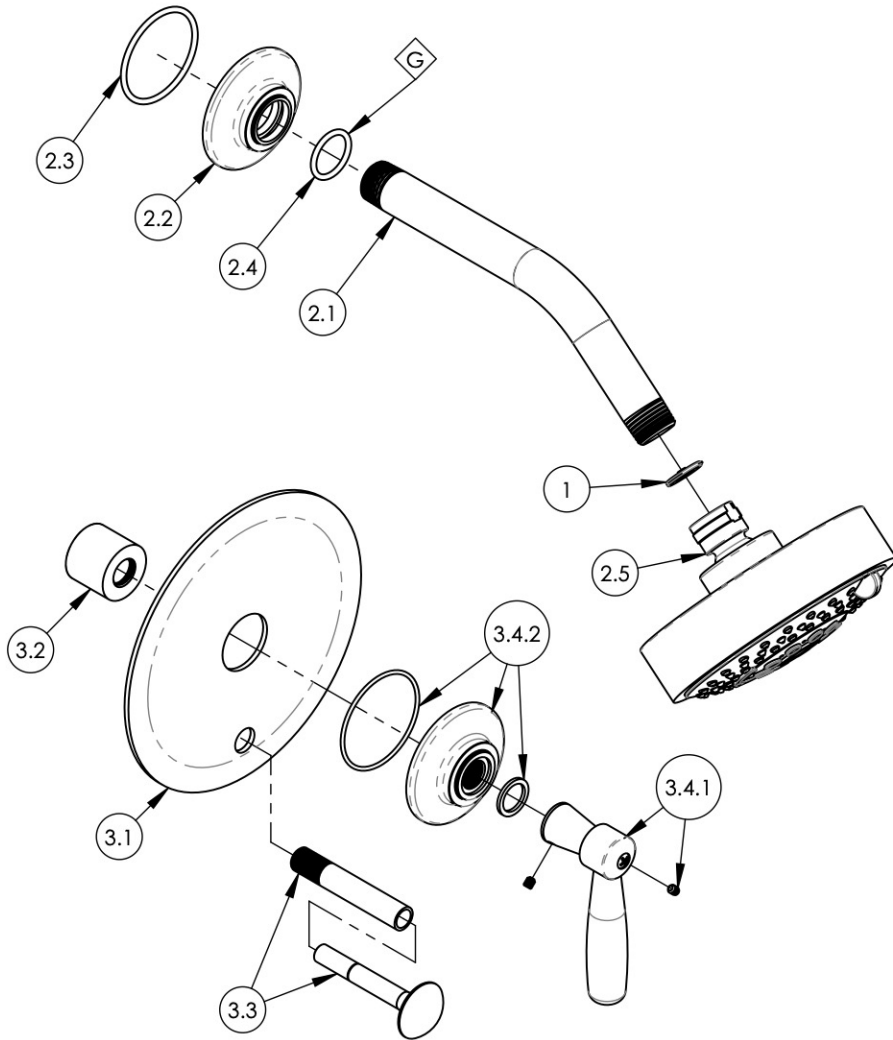


NOTE(S):
1. PART NUMBER, "/00" DENOTES PART SHALL HAVE FINISH.

2. APPLY NSF COMPLIANT GREASE TO ANY O-RING, SEALING JOINTS, AND/OR PIVOTAL POINTS.



ITEM NO.	PART NUMBER	DESCRIPTION	QTY.
1	11432	1.75 GPM FLOW REGULATOR	1
2	4-598/00	SHOWER HEAD, ARM & FLANGE, WORKS	1
2.1	P16008/00	SHOWER ARM (8 INCH)	1
2.2	11938/00	ESCUTCHEON FLANGE, SHOWER ARM, WORKS	1
2.3	90132	O-RING, 1-3/4"ID X 3/32THK, AS-568-132	1
2.4	90117	O-RING, 7/8"ID X 33/32"THK., AS-568-117	1
2.5	3-454/00	SHOWER HEAD MULTI. FUNC. CONTEMP.	1
3	4-617/00	SHOWER TRIM PLATE, PB DIVERTED, SINGLE HANDLE, LEVER, WORKS	1
3.1	10445/00	TRIM PLATE 6" ROUND W/ DIVERTER HOLE, BASIC II	1
3.2	11087	SLEEVE FOR PB-THERM PLATE	1
3.3	3-125/00	EXTENSION ASSY FOR PB TUB & SHOWER SET	1
3.4	3-615/00	LEVER HANDLE, HUB, BASE & HARDWARE, WORKS	1
3.4.1	3-303/00	HANDLE LEVER W/ HARDWARE, WORKS	1
3.4.2	3-299/00	ESCUTCHEON BASE FOR HANDLE, WORKS	1

ZONE	REV.	DESCRIPTION	DATE	APPROVED
REVISIONS				

1261 LOGAN AVENUE
COSTA MESA, CALIFORNIA 92626
PHONE: 714.361.4800
FAX: 714.617.3120

PHYLIRICH[®]
Defining Luxury Since 1959

PROPRIETARY AND CONFIDENTIAL

THE INFORMATION CONTAINED IN THIS DRAWING IS THE SOLE PROPERTY OF PHYLIRICH. ANY REPRODUCTION IN PART OR AS A WHOLE WITHOUT THE WRITTEN PERMISSION OF PHYLIRICH IS PROHIBITED.

-	-	INTERPRET GEOMETRIC DIMENSIONING & TOLERANCING IN ACCORDANCE WITH ASME Y14.5-2009 & ASME Y14.41-2003 STANDARDS, UNLESS OTHERWISE SPECIFIED. DIMENSIONS ARE IN INCHES. TOLERANCES ARE:		
NEXT ASSY	USED ON	FRACTIONS ±1/16"	DECIMALS X.X: ±.1 X.XX: ±.01 X.XXX: ±.005	ANGULAR ±2°
APPLICATION		MATERIAL	NAME	DATE
FINISH		DRAWN	AMM	1/23/2020
DO NOT SCALE DRAWING		CHECKED		

SHOWER TRIM SET, PB DIVERTED, HANDLE LEVER (LESS TUB SPOUT), WORKS

SIZE	ASM/PRT NO.	REV
A	4-615/00	

SCALE: 1:3.5 WEIGHT: lbs. SHEET 1 OF 2