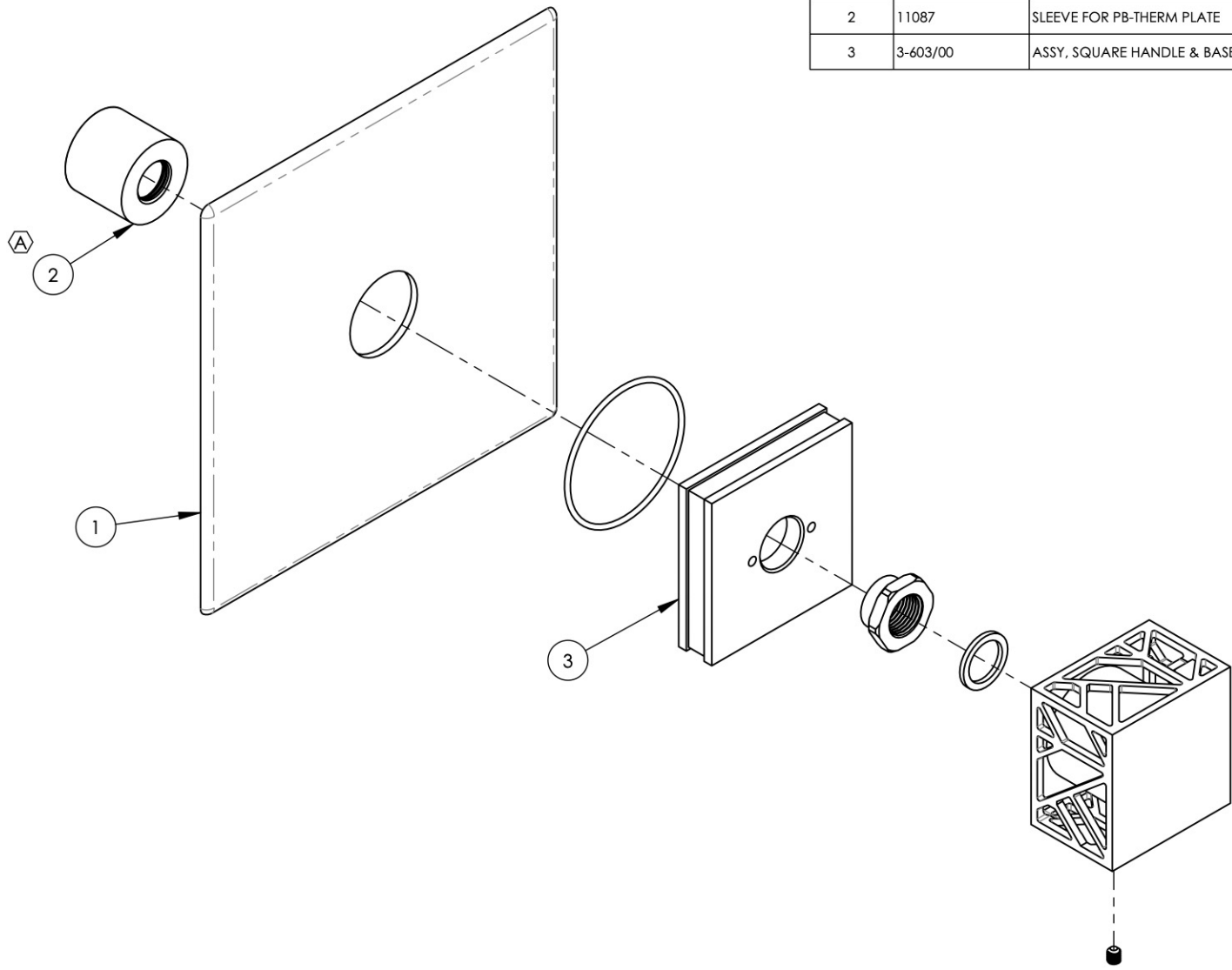


ITEM NO.	PART NUMBER	DESCRIPTION	QTY.
1	10958/00	PLATE, SHOWER TRIM MIX SERIES	1
2	11087	SLEEVE FOR PB-THERM PLATE	1
3	3-603/00	ASSY, SQUARE HANDLE & BASE, CAGE DESIGN, JOLIE	1



B5	A	UPDATE TEMPLATE, ADD SLEEVE MOUNT	4/2/2020	AMM
ZONE	REV.	DESCRIPTION	DATE	APPROVED
REVISIONS				

1261 LOGAN AVENUE  
COSTA MESA, CALIFORNIA 92626  
PHONE: 714.361.4800  
FAX: 714.617.3120

**PHYL RICH**<sup>®</sup>  
Defining Luxury Since 1959

**PROPRIETARY AND CONFIDENTIAL**  
THE INFORMATION CONTAINED IN THIS DRAWING IS THE SOLE PROPERTY OF PHYL RICH. ANY REPRODUCTION IN PART OR AS A WHOLE WITHOUT THE WRITTEN PERMISSION OF PHYL RICH IS PROHIBITED.

-	-	INTERPRET GEOMETRIC DIMENSIONING & TOLERANCING IN ACCORDANCE WITH ASME Y14.5-2009 & ASME Y14.41-2003 STANDARDS, UNLESS OTHERWISE SPECIFIED. DIMENSIONS ARE IN INCHES. TOLERANCES ARE:		
NEXT ASSY	USED ON	<b>FRACTIONS</b> ±1/16"	<b>DECIMALS</b> X.X: ±.1 X.XX: ±.01 X.XXX: ±.005	<b>ANGULAR</b> ±2°
APPLICATION		MATERIAL	NAME	DATE
FINISH		DRAWN	RAH	9/17/2019
<b>DO NOT SCALE DRAWING</b>		CHECKED		

**ASSY, SHOWER TRIM, SINGLE HANDLE, SQUARE, JOLIE**

SIZE	ASM/PRT NO.	REV
<b>A</b>	4-593/00	<b>A</b>
SCALE: 1:2	WEIGHT: lbs.	SHEET 1 OF 2