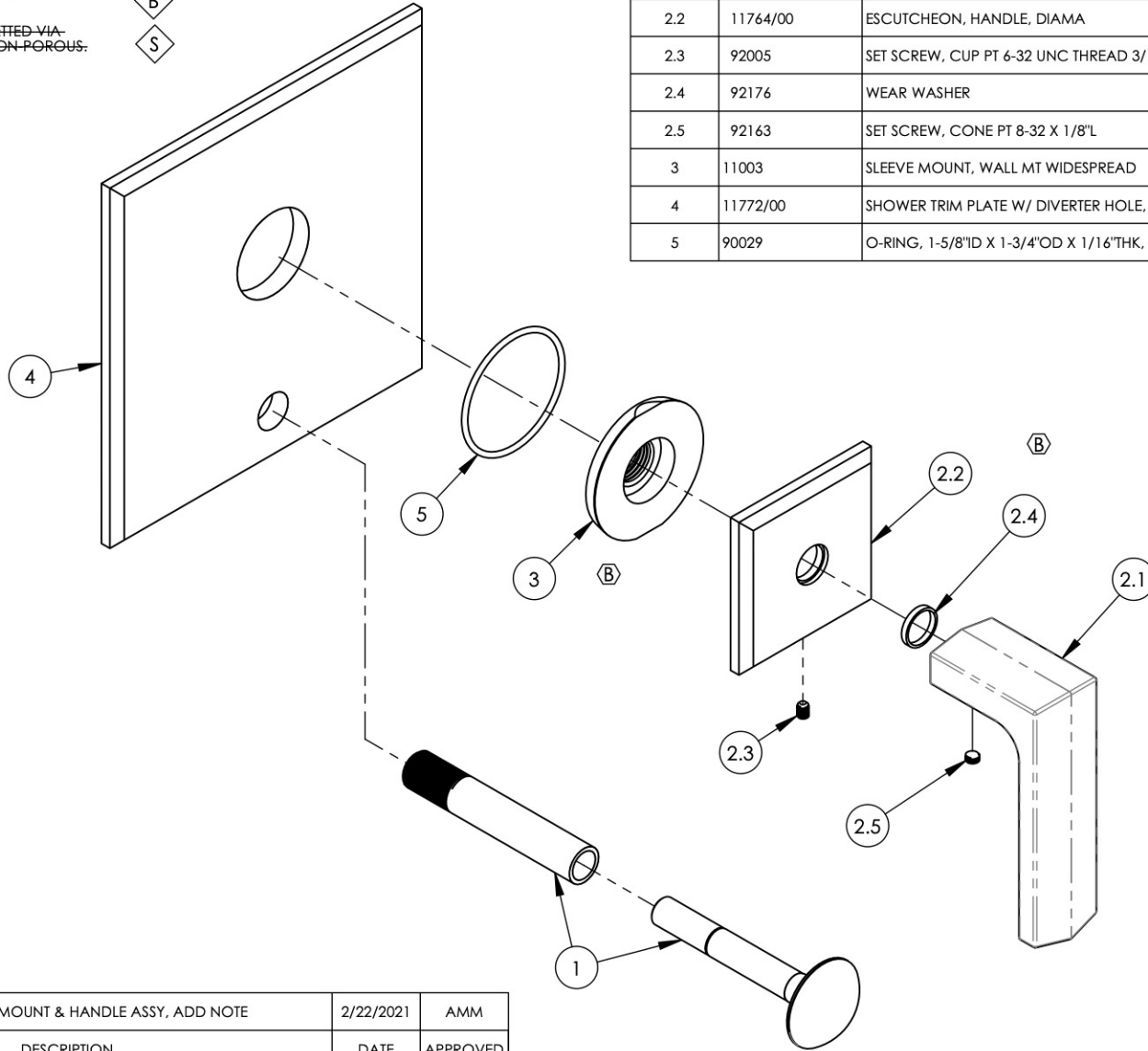


- NOTE(S):
- PART NUMBER, "/00" DENOTES PART SHALL HAVE FINISH.
 - APPLY NSF COMPLIANT GREASE TO ANY O-RING, SEALING JOINTS, AND/OR PIVOTAL POINTS. G
 - APPLY NSF COMPLIANT LOCTITE TO THREADED AREA. L
 - APPLY NSF COMPLIANT REMOVABLE (BLUE) LOCTITE TO THREADED AREA. B
 - SILVER SOLDER JOINTS SHALL BE FULLY WETTED VIA CAPILLARY ACTION AND COMPLETELY NON-POROUS. S
 - FOR DEEPEER ESCUTCHEON:
 - 3-598/00
 - 92401 B

ITEM NO.	PART NUMBER	DESCRIPTION	QTY.
1	3-125/00	DIVERTER EXTENSION ASSY FOR PB TUB & SHOWER SET	1
2	3-596/00	ASSY, LEVER HANDLE, DIAMA	1
2.1	11769/00	LEVER HANDLE, DIAMA	1
2.2	11764/00	ESCUTCHEON, HANDLE, DIAMA	1
2.3	92005	SET SCREW, CUP PT 6-32 UNC THREAD 3/16"L	1
2.4	92176	WEAR WASHER	1
2.5	92163	SET SCREW, CONE PT 8-32 X 1/8"L	1
3	11003	SLEEVE MOUNT, WALL MT WIDESPREAD	1
4	11772/00	SHOWER TRIM PLATE W/ DIVERTER HOLE, DIAMA	1
5	90029	O-RING, 1-5/8"ID X 1-3/4"OD X 1/16"THK, AS-568-029	1



ALL	B	UPDATE SLEEVE MOUNT & HANDLE ASSY, ADD NOTE	2/22/2021	AMM
ZONE	REV.	DESCRIPTION	DATE	APPROVED
REVISIONS				

1261 LOGAN AVENUE
COSTA MESA, CALIFORNIA 92626
PHONE: 714.361.4800
FAX: 714.617.3120

PHYLIRICH[®]
Defining Luxury Since 1959

PROPRIETARY AND CONFIDENTIAL
THE INFORMATION CONTAINED IN THIS DRAWING IS THE SOLE PROPERTY OF PHYLIRICH. ANY REPRODUCTION IN PART OR AS A WHOLE WITHOUT THE WRITTEN PERMISSION OF PHYLIRICH IS PROHIBITED.
DO NOT SCALE DRAWING

SHOWER PLATE, LEVER HANDLE,
DIVERTED, TRIM ONLY, DIAMA

SIZE A	ASM/PRT NO. 4-562/00	REV B
SCALE: 1:2	WEIGHT: lbs.	SHEET 1 OF 2