

NOTE(S):

1. PART NUMBER, "/00" DENOTES PART SHALL HAVE FINISH.

2. APPLY NSF COMPLIANT GREASE TO ANY O-RING, SEALING JOINTS, AND/OR PIVOTAL POINTS:

3. APPLY NSF COMPLIANT LOCTITE TO THREADED AREA:

4. APPLY NSF COMPLIANT REMOVABLE (BLUE) LOCTITE TO THREADED AREA:

5. SILVER SOLDER JOINTS SHALL BE FULLY WETTED VIA CAPILLARY ACTION AND COMPLETELY NON-POROUS:

6. FOR DEEPEER ESCUTCHEON:

• 3-524/00

• 92401

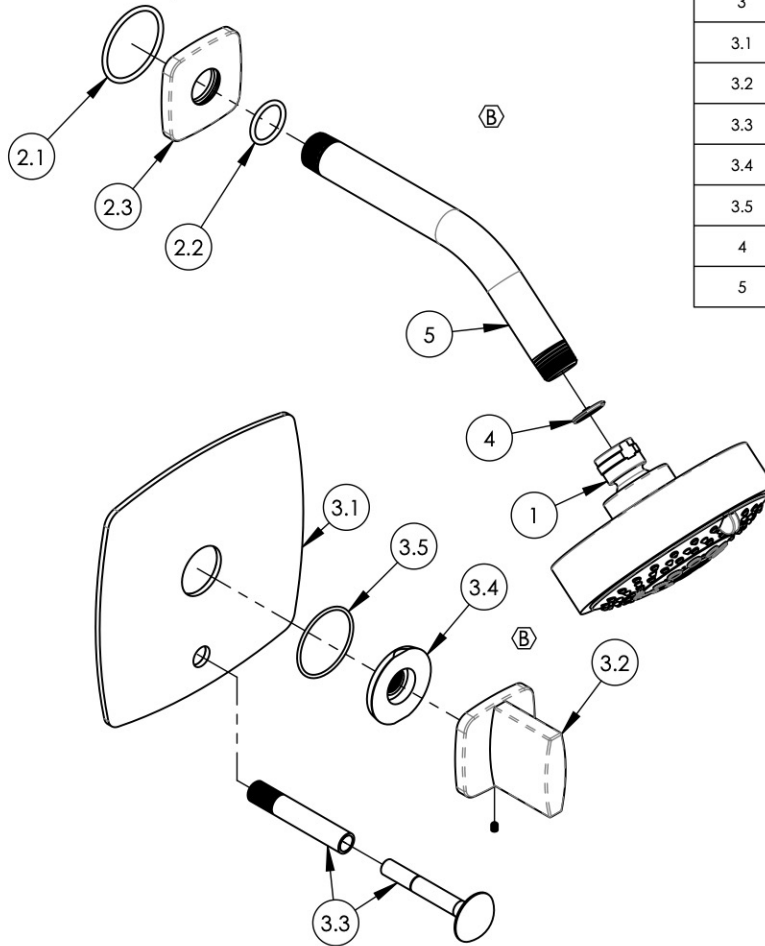
(B)

(G)

(L)

(B)

(S)



ITEM NO.	PART NUMBER	DESCRIPTION	QTY.
1	3-454/00	SHOWER HEAD MULTI. FUNC. CONTEMP.	1
2	3-528/00	SHOWER FLANGE, RADI	1
2.1	90129	O-RING, 1-9/16"ID X 3/32THK, AS-568-129	1
2.2	90117	O-RING, 7/8"ID X 3/32"THK., AS-568-117	1
2.3	11630/00	ESCUTCHEON, SHOWER FLANGE, RADI	1
3	4-516/00	ASSY, BLADE HANDLE W/ DIVERTER, TRIM, RADI	1
3.1	11633/00	TRIM PLATE, SINGLE HANDLE W/ DIVERTER, RADII FACE	1
3.2	3-519/00	ASSY, BLADE HANDLE, RADII	1
3.3	3-125/00	DIVERTER EXTENSION ASSY FOR PB TUB & SHOWER SET	1
3.4	11003	SLEEVE MOUNT, WALL MT WIDESPREAD	1
3.5	90029	O-RING, 1-5/8"ID X 1-3/4"OD X 1/16"THK, AS-568-029	1
4	11432	1.75 GPM FLOW REGULATOR	1
5	P16008/00	SHOWER ARM (8 INCH)	1

ALL	B	REMOVE SHOWER SUB ASSY, UPDATE SLEEVE MOUNT & HANDLE, ADD NOTE	2/17/2021	AMM
ZONE	REV.	DESCRIPTION	DATE	APPROVED
REVISIONS				

1261 LOGAN AVENUE
COSTA MESA, CALIFORNIA 92626
PHONE: 714.361.4800
FAX: 714.617.3120

PHYLIRICH[®]
Defining Luxury Since 1959

PROPRIETARY AND CONFIDENTIAL
THE INFORMATION CONTAINED IN THIS DRAWING IS THE SOLE PROPERTY OF PHYLIRICH. ANY REPRODUCTION IN PART OR AS A WHOLE WITHOUT THE WRITTEN PERMISSION OF PHYLIRICH IS PROHIBITED.
DO NOT SCALE DRAWING

ASSY, BLADE HANDLE W/ DIVERTER, SHOWER SET (LESS SPOUT) , RADI

SIZE A	ASM/PRT NO. 4-557/00	REV B
SCALE: 1:4	WEIGHT: lbs.	SHEET 1 OF 2