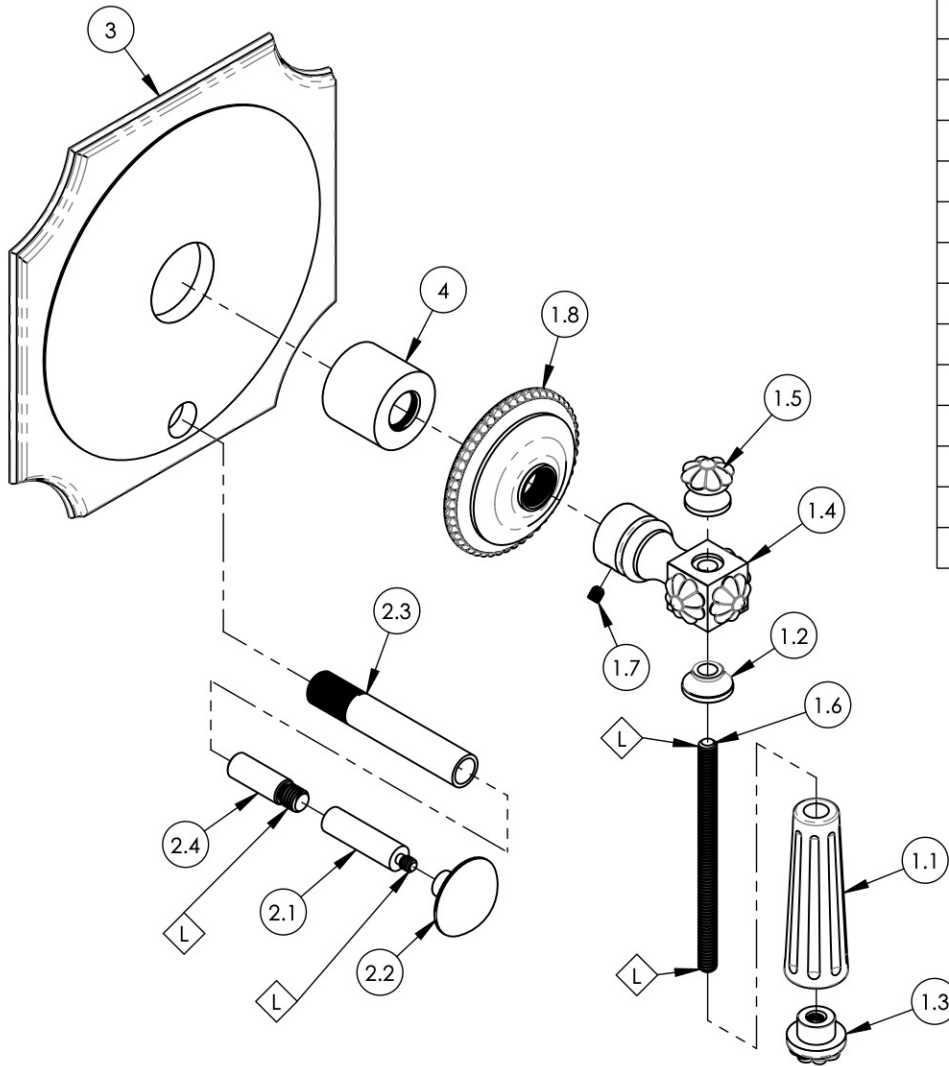


NOTE(S):  
 1. APPLY NSF COMPLIANT LOCTITE TO THREADED AREA. L



ITEM NO.	PART NUMBER	DESCRIPTION	QTY.
1	3-030/00	HANDLE LEVER, MARVELLE SEIRES	1
1.1	10541/00	LEVER HANDLE INSERT, MARVELLE	1
1.2	11102/00	BASE HANDLE FOR LEVER HEX TRADITIONAL 500 SERIES	1
1.3	2-111/00	SUB-ASSY. END CAP FINIAL, MARVELLE	1
1.4	2-113/00	SUB-ASSY. LEVER TRASITION FINIAL, MARVELLE	1
1.5	2-112/00	SUB-ASSY. FINIAL EXTENSION BACK LEVER	1
1.6	10543	THREADED ROD, 1/4"-20 X 3"-5/8 L	1
1.7	92008	SET SCREW, CUP POINT 8-32, 3/16" L.	2
1.8	10540/00	ESCUTCHEON, MARVELLE SERIES	1
2	3-125/00	DIVERTER EXTENSION ASSY FOR PB TUB & SHOWER SET	1
2.1	11008/00	DIVERTED STEM FOR PB PLATE	1
2.2	11006/00	PULL KNOB, DIVERTER, 10-24	1
2.3	P17066/00	EXTENSION SLEEVE, STEM, PB TUB & SHOWER SET	1
2.4	30133	EXTENSION, THEAD NUT ADAPTOR	1
3	10516/00	TRIM PLATE DIVERTED, FRENCH TRAD. PB/THERMO	1
4	11087	SLEEVE FOR PB-THERM PLATE	1

A3, A1	C	UPDATE DWG NAME, ADD WHERE USED	9/29/2020	AMM
ZONE	REV.	DESCRIPTION	DATE	APPROVED
REVISIONS				

1261 LOGAN AVENUE  
 COSTA MESA, CALIFORNIA 92626  
 PHONE: 714.361.4800  
 FAX: 714.617.3120

**PHYLIRICH**<sup>®</sup>  
 Defining Luxury Since 1959

**PROPRIETARY AND CONFIDENTIAL**  
 THE INFORMATION CONTAINED IN THIS DRAWING IS THE SOLE PROPERTY OF PHYLIRICH. ANY REPRODUCTION IN PART OR AS A WHOLE WITHOUT THE WRITTEN PERMISSION OF PHYLIRICH IS PROHIBITED.

-	-	INTERPRET GEOMETRIC DIMENSIONING & TOLERANCING IN ACCORDANCE WITH ASME Y14.5-2009 & ASME Y14.41-2003 STANDARDS, UNLESS OTHERWISE SPECIFIED. DIMENSIONS ARE IN INCHES. TOLERANCES ARE:		
4-478/00	-	<b>FRACTIONS</b> ±1/16"	<b>DECIMALS</b> X.X: ±.1 X.XX: ±.01 X.XXX: ±.005	<b>ANGULAR</b> ±2°
NEXT ASSY		USED ON		
APPLICATION				
MATERIAL		NAME	DATE	
FINISH		DRAWN	LLO	10/15/2015
<b>DO NOT SCALE DRAWING</b>		CHECKED	GRE	

**SHOWER TRIM PLATE, PB DIVERTED, LEVER HANDLE, MARVELLE**

SIZE	ASM/PRT NO.	REV
<b>A</b>	4-480/00	<b>C</b>
SCALE: 1:2.5	WEIGHT: lbs.	SHEET 1 OF 2