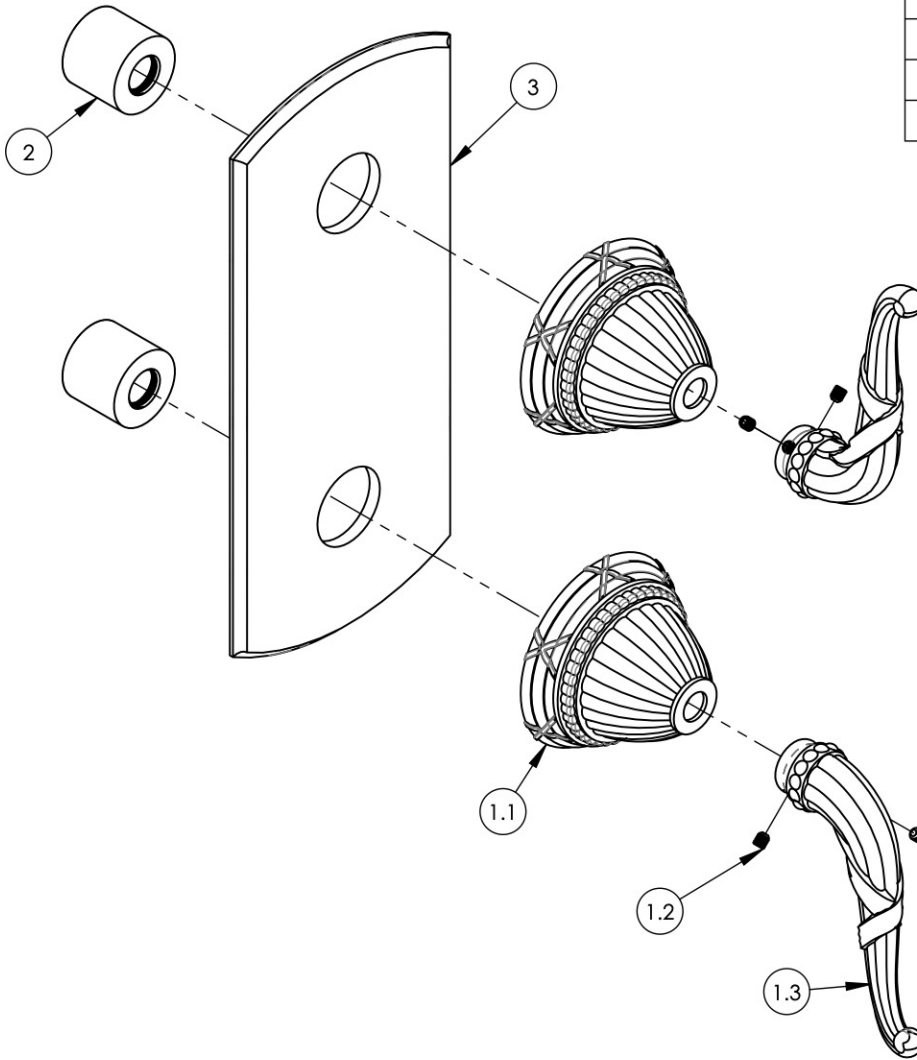


NOTE(S):
 1. PART NUMBER, "/00" DENOTES PART SHALL HAVE FINISH.

ITEM NO.	PART NUMBER	DESCRIPTION	QTY.
1	3-274/00	STRAIGHT LEVER HANDLE, RIBBON & REED	2
1.1	P02007/00	K137 COVER PLATE COMPLETE	1
1.2	92008	SET SCREW, CUP POINT 8-32, 3/16" L.	2
1.3	2-152/00	SUB ASSY. HANDLE RIBBON & REED	1
2	11087	SLEEVE FOR PB-THERM PLATE	2
3	11202/00	PLATE, TWO HANDLE BEVELED EDGE	1



ZONE	REV.	DESCRIPTION	DATE	APPROVED
REVISIONS				

1261 LOGAN AVENUE
 COSTA MESA, CALIFORNIA 92626
 PHONE: 714.361.4800
 FAX: 714.617.3120

PHYLIRICH®
 Defining Luxury Since 1959

PROPRIETARY AND CONFIDENTIAL
 THE INFORMATION CONTAINED IN THIS DRAWING IS THE SOLE PROPERTY OF PHYLIRICH. ANY REPRODUCTION IN PART OR AS A WHOLE WITHOUT THE WRITTEN PERMISSION OF PHYLIRICH IS PROHIBITED.

-	-	INTERPRET GEOMETRIC DIMENSIONING & TOLERANCING IN ACCORDANCE WITH ASME Y14.5-2009 & ASME Y14.41-2003 STANDARDS, UNLESS OTHERWISE SPECIFIED. DIMENSIONS ARE IN INCHES. TOLERANCES ARE:		
NEXT ASSY	USED ON	FRACTIONS ±1/16"	DECIMALS X.X: ±.1 X.XX: ±.01 X.XXX: ±.005	ANGULAR ±2°
APPLICATION		MATERIAL	NAME	DATE
FINISH		DRAWN	AMM	7/6/2020
DO NOT SCALE DRAWING		CHECKED	AMM	7/6/2020

TRIM PLATE, 1/2" MINI THERM W/ VOLUME CONTROL OR DIVERTER, LEVER HANDLE, RIBBON & REED

SIZE	ASM/PRT NO.	REV
A	4-435/00	
SCALE: 1:2.5	WEIGHT: lbs.	SHEET 1 OF 2