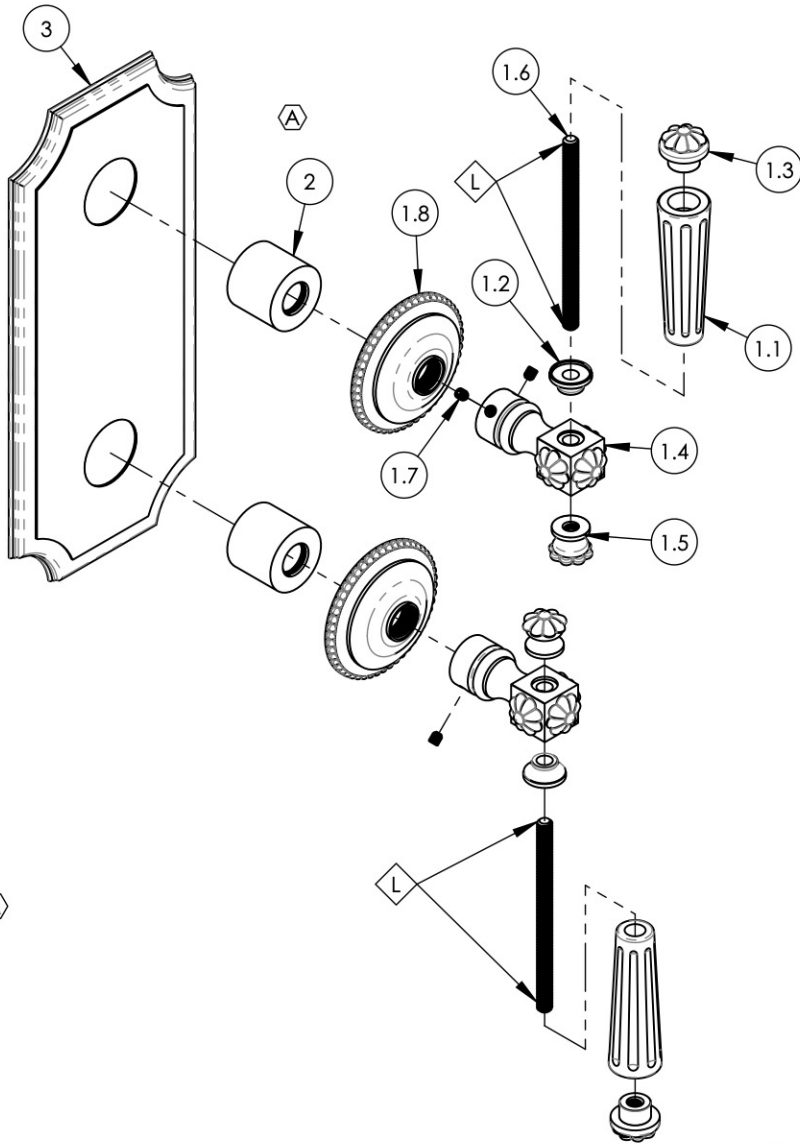


NOTE(S):
 1. APPLY NSF COMPLIANT LOCTITE TO THREADED AREA. L



ITEM NO.	PART NUMBER	DESCRIPTION	QTY.
1	3-030/00	HANDLE LEVER, MARVELLE SEIRES	2
1.1	10541/00	LEVER HANDLE INSERT, MARVELLE	1
1.2	11102/00	BASE HANDLE FOR LEVER HEX TRADITIONAL 500 SERIES	1
1.3	2-111/00	SUB-ASSY. END CAP FINIAL, MARVELLE	1
1.4	2-113/00	SUB-ASSY. LEVER TRSITION FINIAL, MARVELLE	1
1.5	2-112/00	SUB-ASSY. FINIAL EXTENSION BACK LEVER	1
1.6	10543	THREADED ROD, 1/4"-20 X 3"-5/8 L	1
1.7	92008	SET SCREW, CUP POINT 8-32, 3/16" L.	2
1.8	10540/00	ESCUTCHEON, MARVELLE SERIES	1
2	11087	SLEEVE FOR PB-THERM PLATE	2
3	11272/00	TRIM PLATE, THERM. CONTROL W/ DIVERTER	1

ALL	A	UPDATE TEMPLATE, SLEEVE MOUNTS, REMOVE TAPE, ADD CALL OUTS	7/27/2020	AMM
ZONE	REV.	DESCRIPTION	DATE	APPROVED
REVISIONS				

1261 LOGAN AVENUE
 COSTA MESA, CALIFORNIA 92626
 PHONE: 714.361.4800
 FAX: 714.617.3120

PHYLIRICH[®]
 Defining Luxury Since 1959

PROPRIETARY AND CONFIDENTIAL
 THE INFORMATION CONTAINED IN THIS DRAWING IS THE SOLE PROPERTY OF PHYLIRICH. ANY REPRODUCTION IN PART OR AS A WHOLE WITHOUT THE WRITTEN PERMISSION OF PHYLIRICH IS PROHIBITED.

-	-	INTERPRET GEOMETRIC DIMENSIONING & TOLERANCING IN ACCORDANCE WITH ASME Y14.5-2009 & ASME Y14.41-2003 STANDARDS, UNLESS OTHERWISE SPECIFIED. DIMENSIONS ARE IN INCHES. TOLERANCES ARE:		
NEXT ASSY	USED ON	FRACTIONS ±1/16"	DECIMALS X.X: ±.1 X.XX: ±.01 X.XXX: ±.005	ANGULAR ±2°
APPLICATION		MATERIAL	NAME	DATE
FINISH		DRAWN	LLO	10/1/2015
DO NOT SCALE DRAWING		CHECKED	GRE	

1/2" MINI THERM VALVE W/ VOLUME CONTROL OR DIV., LEVER HANDLES, MARVELLE

SIZE	ASM/PRT NO.	REV
A	4-299/00	A
SCALE: 1:3	WEIGHT: lbs.	SHEET 1 OF 2