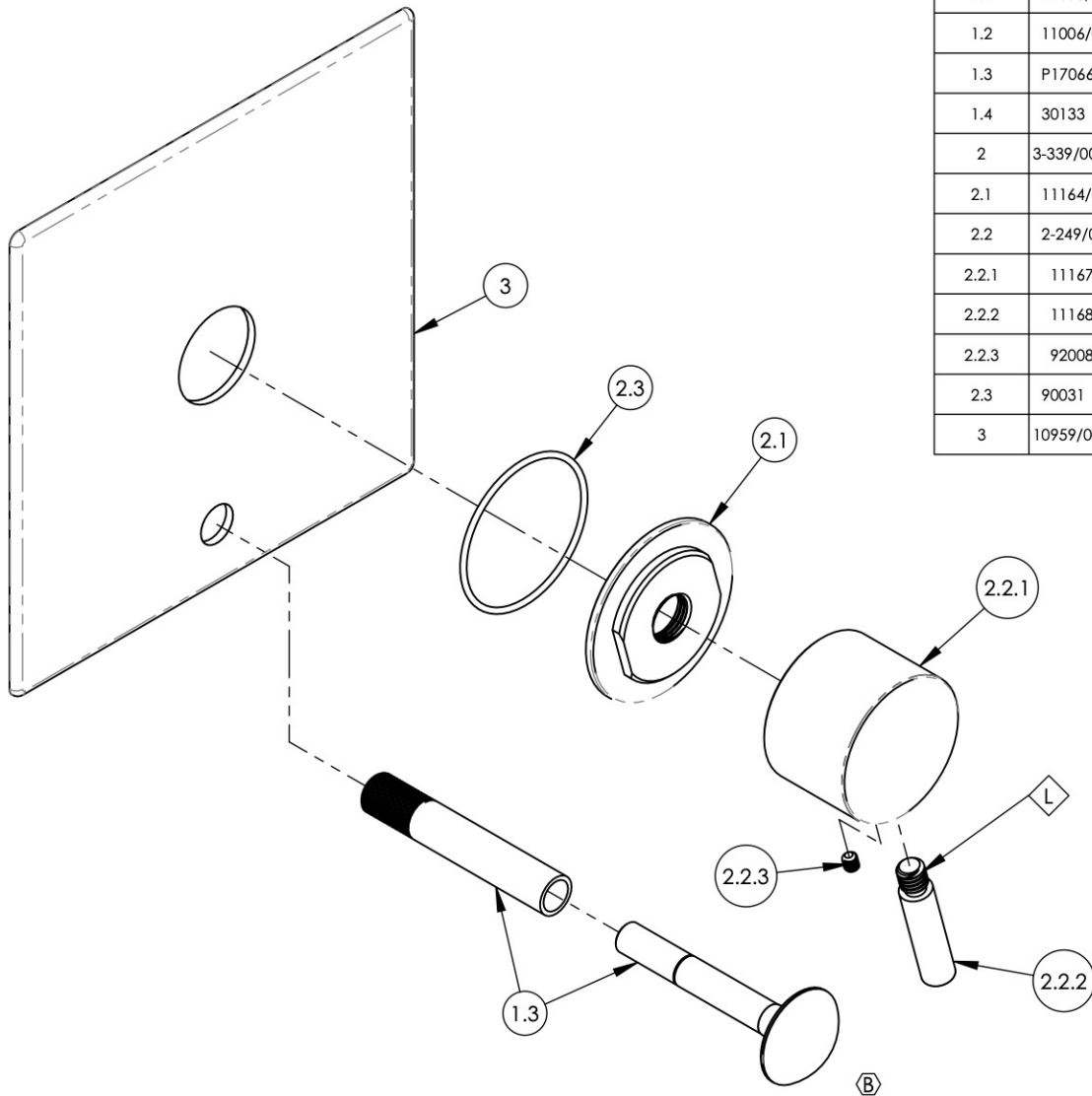


ITEM NO.	PART NUMBER	DESCRIPTION	QTY.
1	3-125/00	DIVERTER EXTENSION ASSY FOR PB TUB & SHOWER SET	1
1.1	11008/00	DIVERTED STEM FOR PB PLATE	1
1.2	11006/00	PULL KNOB, DIVERTER, 10-24	1
1.3	P17066/00	EXTENSION SLEEVE, STEM, PB TUB & SHOWER SET	1
1.4	30133	EXTENSION, THEAD NUT ADAPTOR	1
2	3-339/00	SUB ASSY. LEVER HANDLE, BASIC II	1
2.1	11164/00	ESCUTCHEON BASE, CONTEMP. BASIC II	1
2.2	2-249/00	HANDLE LEVER, BASIC II	1
2.2.1	11167/00	BASE HANDLE, CONTEMP. BASIC II	1
2.2.2	11168/00	HANDLE LEVER, CONTEMP. BASIC II	1
2.2.3	92008	SET SCREW, CUP POINT 8-32, 3/16" L.	1
2.3	90031	O-RING, 1-3/4"ID X 1/16"THK, AS-568-031	1
3	10959/00	SHOWER TRIM PLATE W/ DIVERTER HOLE, MIX SERIES	1

NOTE(S):

1. APPLY NSF COMPLIANT LOCTITE TO THREADED AREA. L



A3, A1	B	UPDATE DESCRIPTION, ADD WHERE USED, ROTATE HANDLE	9/18/2020	AMM
ZONE	REV.	DESCRIPTION	DATE	APPROVED
REVISIONS				

1261 LOGAN AVENUE  
COSTA MESA, CALIFORNIA 92626  
PHONE: 714.361.4800  
FAX: 714.617.3120

**PHYLIRICH**<sup>®</sup>  
Defining Luxury Since 1959

**PROPRIETARY AND CONFIDENTIAL**

THE INFORMATION CONTAINED IN THIS DRAWING IS THE SOLE PROPERTY OF PHYLIRICH. ANY REPRODUCTION IN PART OR AS A WHOLE WITHOUT THE WRITTEN PERMISSION OF PHYLIRICH IS PROHIBITED.

-	-	INTERPRET GEOMETRIC DIMENSIONING & TOLERANCING IN ACCORDANCE WITH ASME Y14.5-2009 & ASME Y14.41-2003 STANDARDS. UNLESS OTHERWISE SPECIFIED, DIMENSIONS ARE IN INCHES. TOLERANCES ARE:		
2305-29/00	-	<b>FRACTIONS</b> ±1/16"	<b>DECIMALS</b> X.X: ±.1 X.XX: ±.01 X.XXX: ±.005	<b>ANGULAR</b> ±2°
NEXT ASSY		USED ON		
APPLICATION				
MATERIAL		NAME	DATE	
FINISH		DRAWN	11/10/2015	
<b>DO NOT SCALE DRAWING</b>		CHECKED	LLO	

**SHOWER PLATE W/ DIVERTER, SQUARE PLATE, LEVER HANDLE, BASIC II**

SIZE	ASM/PRT NO.	REV
<b>A</b>	4-203/00	<b>B</b>

SCALE: 1:2      WEIGHT: lbs.      SHEET 1 OF 2