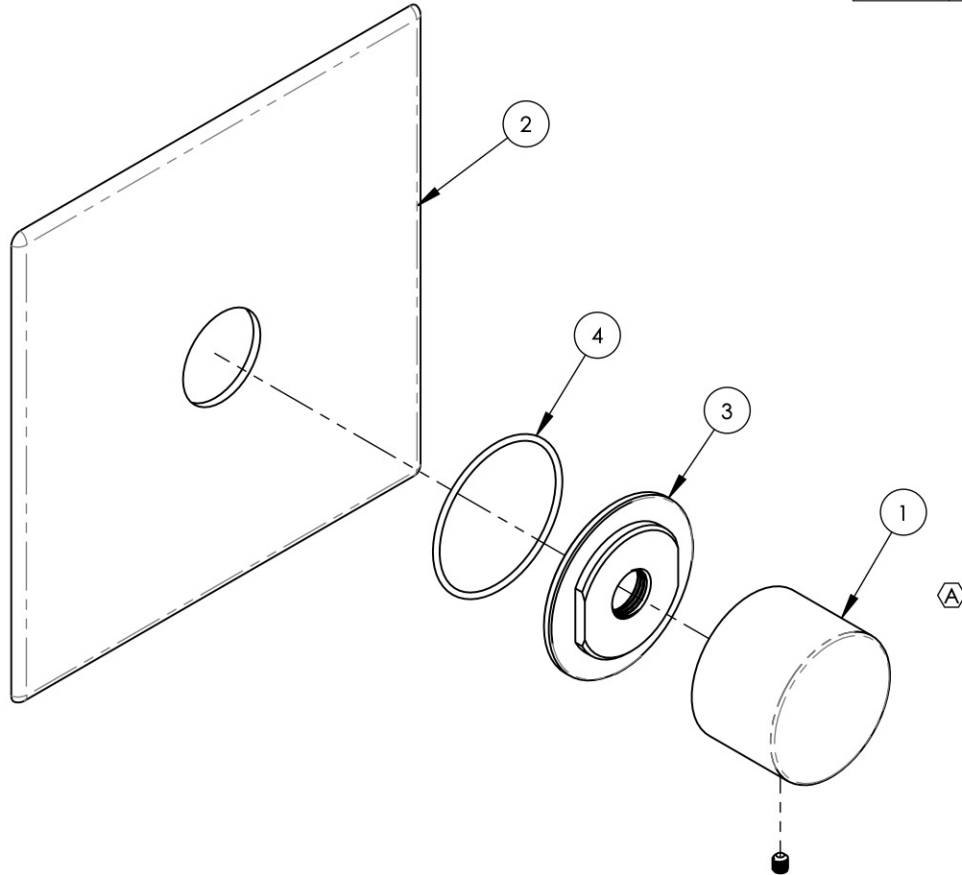


NOTE(S):
 1. EXAMPLE OF SPLIT FINISH CODE:
 A. 230-03/026X030
 2. MARBLE HANDLE STONE OPTIONS:
 A. BLACK MARBLE = 3-570 (.../00X030)
 B. WHITE MARBLE = 3-571 (.../00X031)
 C. SOAPSTONE = 3-572 (.../00X032)

SEE NOTES *

ITEM NO.	PART NUMBER	DESCRIPTION	QTY.
1	3-570	HANDLE, ROUND MARBLE, BLACK (030) ASSY	1
2	10958/00	PLATE, SHOWER TRIM MIX SERIES	1
3	11164/00	ESCUTCHEON BASE, CONTEMP. BASIC II	1
4	90031	O-RING, 1-3/4"ID X 1/16"THK, AS-568-031	1



ZONE	REV.	DESCRIPTION	DATE	APPROVED
C3, A1	A	REMOVE INTERNAL SUBASSY FROM HANDLE, UPDATE DWG NAME	11/3/2020	AMM
REVISIONS				

1261 LOGAN AVENUE
 COSTA MESA, CALIFORNIA 92626
 PHONE: 714.361.4800
 FAX: 714.617.3120

PHYLIRICH[®]
 Defining Luxury Since 1959

PROPRIETARY AND CONFIDENTIAL
 THE INFORMATION CONTAINED IN THIS DRAWING IS THE SOLE PROPERTY OF PHYLIRICH. ANY REPRODUCTION IN PART OR AS A WHOLE WITHOUT THE WRITTEN PERMISSION OF PHYLIRICH IS PROHIBITED.

-	-	INTERPRET GEOMETRIC DIMENSIONING & TOLERANCING IN ACCORDANCE WITH ASME Y14.5-2009 & ASME Y14.41-2003 STANDARDS, UNLESS OTHERWISE SPECIFIED. DIMENSIONS ARE IN INCHES. TOLERANCES ARE:		
NEXT ASSY	USED ON	FRACTIONS ±1/16"	DECIMALS X.X: ±.1 X.XX: ±.01 X.XXX: ±.005	ANGULAR ±2°
APPLICATION		MATERIAL	NAME	DATE
FINISH		DRAWN	AMM	4/30/2020
DO NOT SCALE DRAWING		CHECKED		

PB SHOWER TRIM PLATE, SQUARE, SINGLE HANDLE, MARBLE, BASIC II

SIZE	ASM/PRT NO.	REV
A	4-186/00	A
SCALE: 1:2	WEIGHT: lbs.	SHEET 1 OF 2