

5

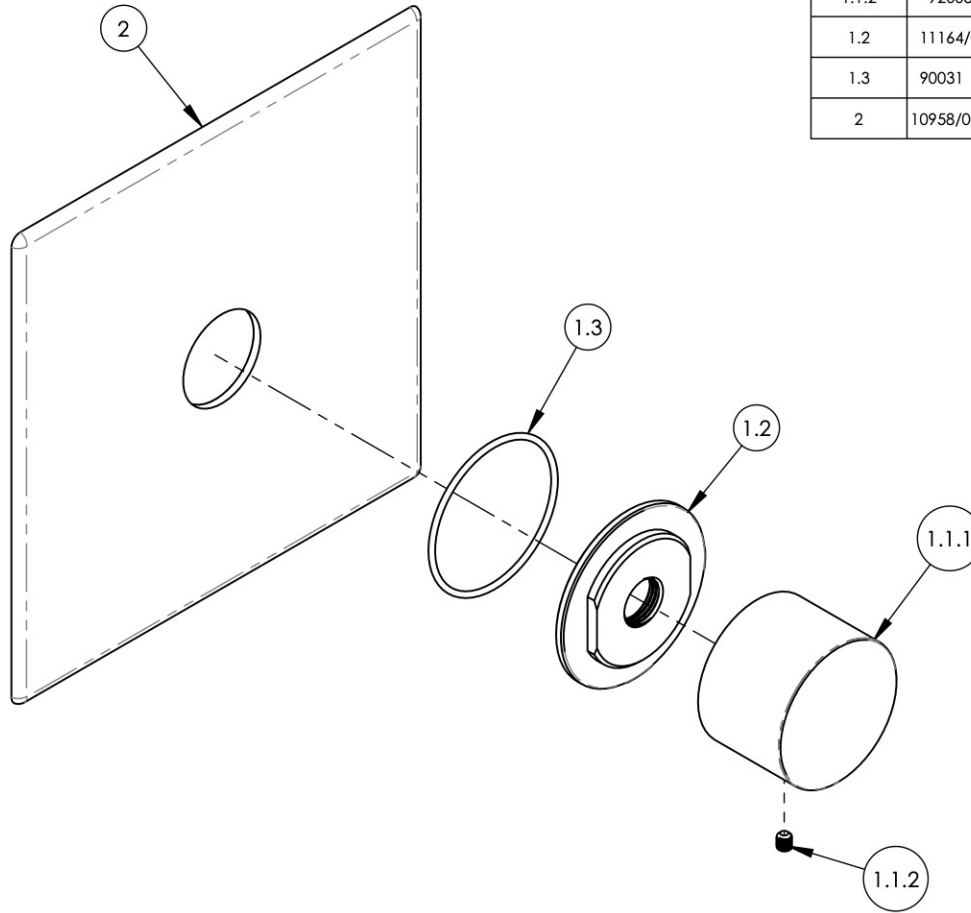
4

3

2

1

| ITEM NO. | PART NUMBER | DESCRIPTION                             | QTY. |
|----------|-------------|---|------|
| 1        | 3-386/00    | SUB ASSY. SMOOTH HANDLE, BASIC II       | 1    |
| 1.1      | 2-248/00    | HANDLE SMOOTH, BASIC II                 | 1    |
| 1.1.1    | 10433/00    | BASE HANDLE, CONTEMP. BASIC II          | 1    |
| 1.1.2    | 92008       | SET SCREW, CUP POINT 8-32, 3/16" L.     | 1    |
| 1.2      | 11164/00    | ESCUTCHEON BASE, CONTEMP. BASIC II      | 1    |
| 1.3      | 90031       | O-RING, 1-3/4"ID X 1/16"THK, AS-568-031 | 1    |
| 2        | 10958/00    | PLATE, SHOWER TRIM MIX SERIES           | 1    |



| A1, A3    | B    | UPDATE DESCRIPTION | 9/18/2020 | AMM      |
|-----------|------|--------------------|-----------|----------|
| ZONE      | REV. | DESCRIPTION        | DATE      | APPROVED |
| REVISIONS |      |                    |           |          |

1261 LOGAN AVENUE  
COSTA MESA, CALIFORNIA 92626  
PHONE: 714.361.4800  
FAX: 714.617.3120

**PHYL RICH**<sup>®</sup>  
Defining Luxury Since 1959

**PROPRIETARY AND CONFIDENTIAL**  
THE INFORMATION CONTAINED IN THIS DRAWING IS THE SOLE PROPERTY OF PHYL RICH. ANY REPRODUCTION IN PART OR AS A WHOLE WITHOUT THE WRITTEN PERMISSION OF PHYL RICH IS PROHIBITED.

|                             |   |   |   |                       |
|-----------------------------|---|---|---|-----------------------|
| -                           | - | INTERPRET GEOMETRIC DIMENSIONING & TOLERANCING IN ACCORDANCE WITH ASME Y14.5-2009 & ASME Y14.41-2003 STANDARDS, UNLESS OTHERWISE SPECIFIED. DIMENSIONS ARE IN INCHES. TOLERANCES ARE: |   |                       |
| 2305-22/00                  | - | <b>FRACTIONS</b><br>±1/16"  | <b>DECIMALS</b><br>X.X: ±.1<br>X.XX: ±.01<br>X.XXX: ±.005 | <b>ANGULAR</b><br>±2° |
| NEXT ASSY                   |   | USED ON   |   |                       |
| APPLICATION                 |   |   |   |                       |
| MATERIAL                    |   | NAME  | DATE  |                       |
| FINISH                      |   | DRAWN   | FME   | 11/10/2015            |
| <b>DO NOT SCALE DRAWING</b> |   | CHECKED   | LLO   |                       |

**SHOWER PLATE TRIM, SQUARE, SMOOTH HDL, BASIC II**

SIZE **A** ASM/PRT NO. **4-185/00** REV **B**

SCALE: 1:2 WEIGHT: lbs. SHEET 1 OF 2

5

4

3

2

1